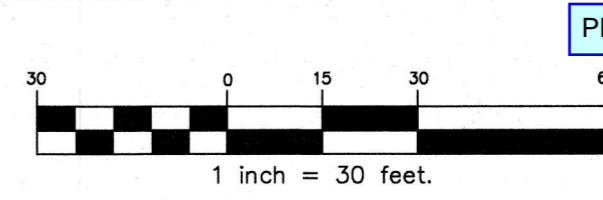


# BPLC NORTH

A PORTION OF NW1/4 OF THE SE1/4 OF SEC. 26, T20N, R04E  
WILLAMETTE MERIDIAN, PIERCE COUNTY, WASHINGTON



PRSC20251400

FIRE HYDRANT/FDC LOCATION/ACCESS APPROVED

APPROVED

BY: \_\_\_\_\_  
CITY OF PUYALLUP  
FIRE CODE OFFICIAL

DATE: \_\_\_\_\_

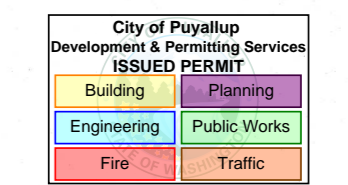
NOTE: THIS APPROVAL IS VOID AFTER 180 DAYS FROM APPROVAL DATE. THE CITY WILL NOT BE RESPONSIBLE FOR ERRORS AND/OR OMISSIONS ON THESE PLANS. FIELD CONDITIONS MAY DICTATE CHANGES TO THESE PLANS AS DETERMINED BY THE FIRE CODE OFFICIAL.

BY: \_\_\_\_\_  
CITY OF PUYALLUP  
DEVELOPMENT ENGINEERING

DATE: \_\_\_\_\_

NOTE: THIS APPROVAL IS VOID AFTER 180 DAYS FROM APPROVAL DATE. THE CITY WILL NOT BE RESPONSIBLE FOR ERRORS AND/OR OMISSIONS ON THESE PLANS. FIELD CONDITIONS MAY DICTATE CHANGES TO THESE PLANS AS DETERMINED BY THE DEVELOPMENT ENGINEERING MANAGER.

Refer to the approved civil plans under permit PRCCP20250096. This site plan is only used for reference to indicate the location of the truck filling station installed under PRCCP20250096.



**C.E.S. NW INC.**  
CIVIL ENGINEERING & SURVEYING

P.O. BOX 4889  
PUYALLUP, WA 98427  
ces@cesnw.com

**BPLC NORTH**  
PAVING & UTILITY PLAN

BPLC PROPERTIES, LLC  
2412 INTER AVE. PUYALLUP, WA 98472

Project: \_\_\_\_\_  
Client: \_\_\_\_\_  
Designed: \_\_\_\_\_  
Drawn: \_\_\_\_\_  
Checked: \_\_\_\_\_

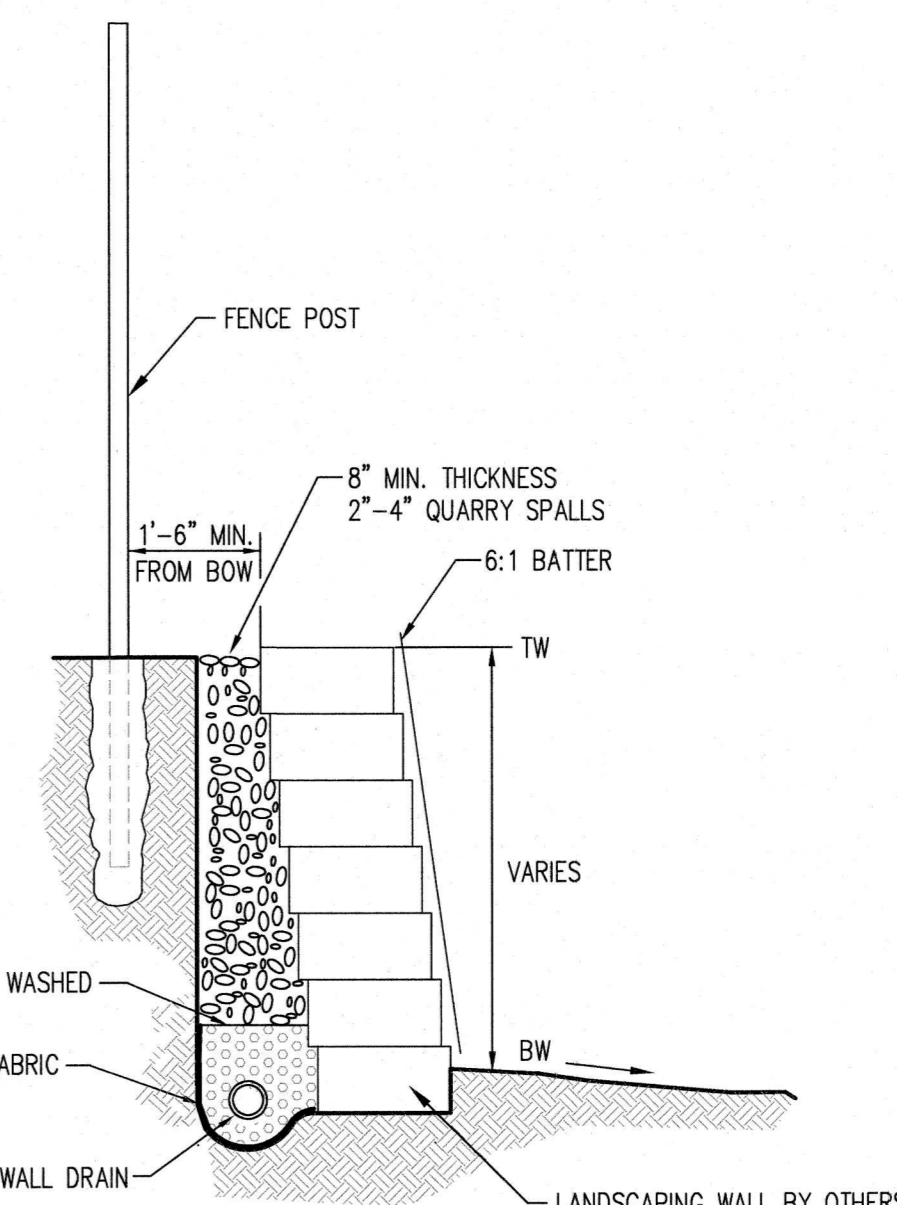
Scale: 1"=30'  
Date: 4/24/2025  
Job No.: 20083

Sheet No.: **C3**

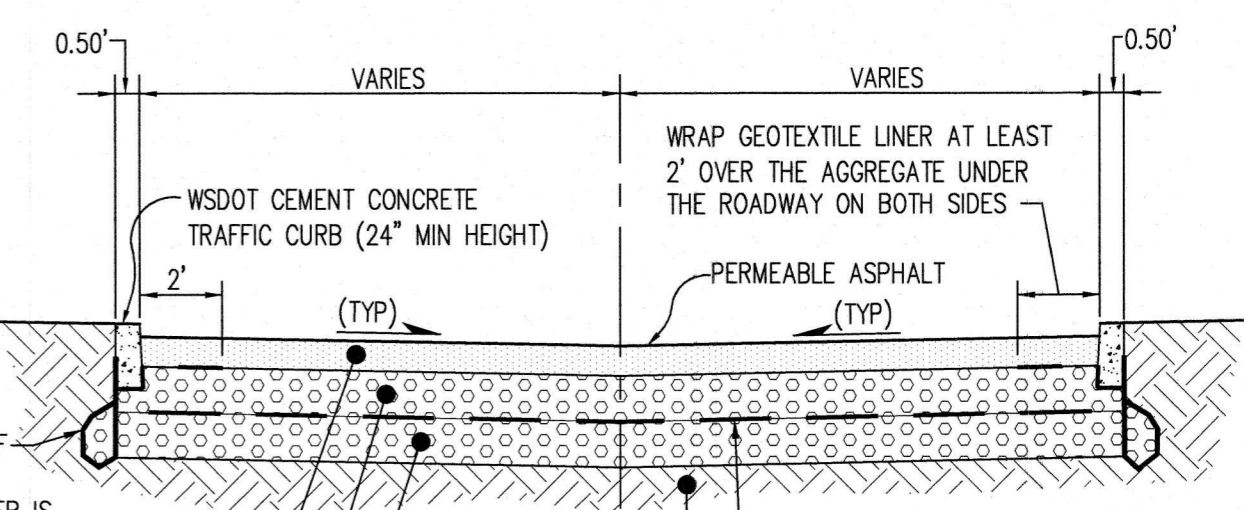
3 of 20 Sheets

### KEY NOTES

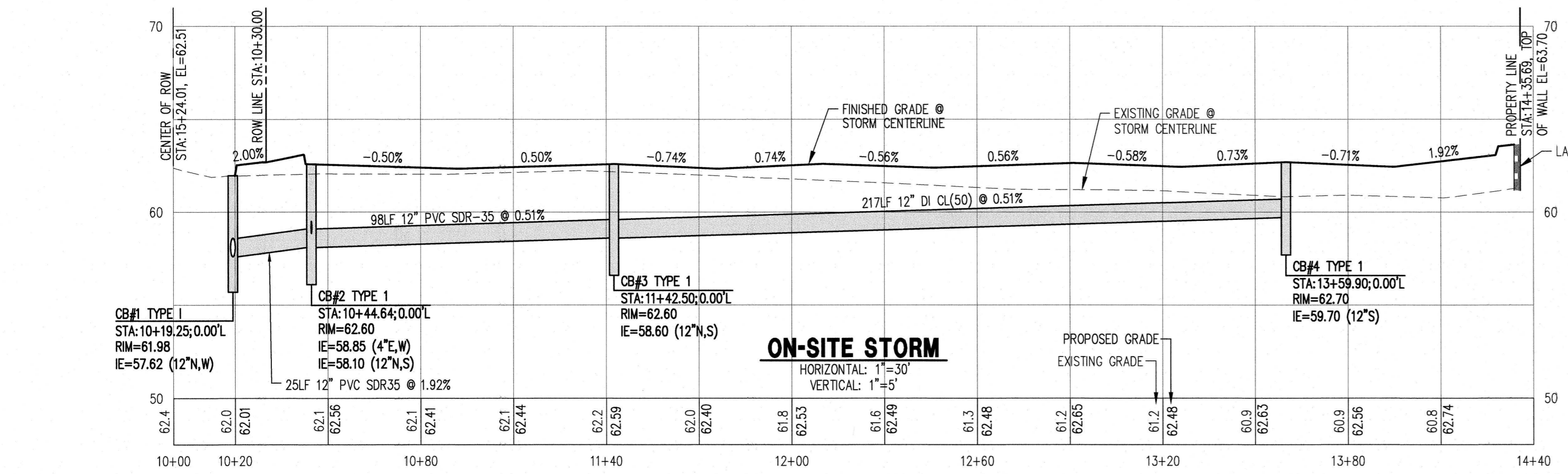
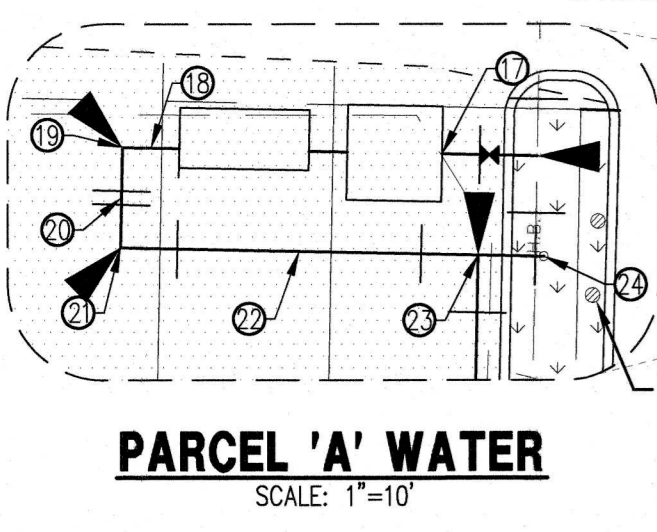
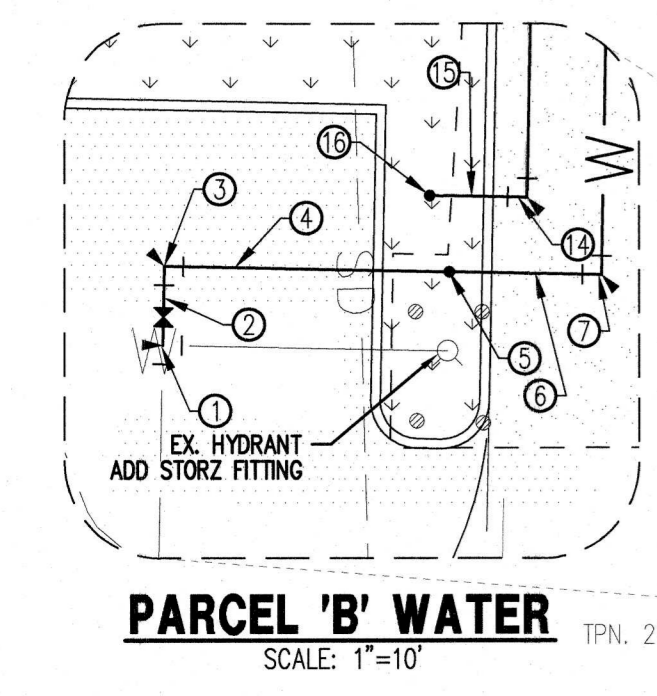
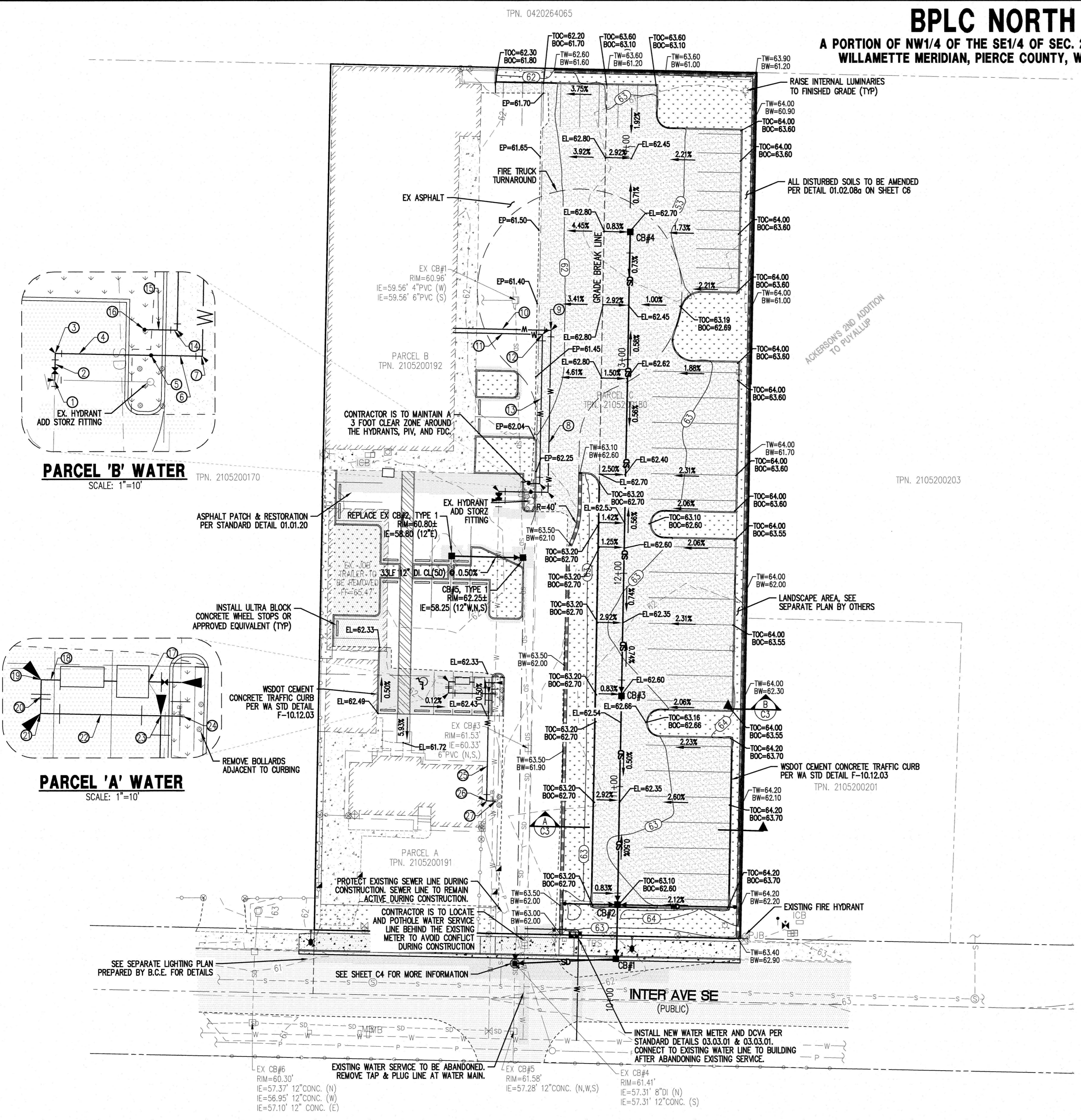
1. INSTALL:  
1-6"x6" WET TAP TEE  
1-8" GATE VALVE (FLMJ)  
THRUST BLOCKING
2. 4LF~6" DI CL52 FIRE SUPPLY LINE
3. INSTALL:  
1-6" 90° BEND (M,J,M)  
THRUST BLOCKING
4. 15LF~6" DI CL52 FIRE SUPPLY LINE
5. INSTALL:  
1-PIV
6. 8LF~6" DI CL52 FIRE SUPPLY LINE
7. INSTALL:  
1-6" 90° BEND (M,J,M)  
THRUST BLOCKING
8. 76LF~6" DI CL52 FIRE SUPPLY LINE
9. INSTALL:  
1-6" 90° BEND (M,J,M)  
THRUST BLOCKING
10. 45LF~6" DI CL52 FIRE SUPPLY LINE
11. 41LF~6" DI CL52 FDC LINE
12. INSTALL:  
1-6" 90° BEND (M,J,M)  
THRUST BLOCKING
13. 70LF~6" DI CL52 FDC LINE
14. INSTALL:  
1-6" 90° BEND (M,J,M)  
THRUST BLOCKING
15. 5LF~6" DI CL52 FDC LINE
16. INSTALL:  
1-FDC RISER
17. INSTALL:  
1-8"x4" WET TAPPING TEE  
1-4" GATE VALVE (FLMJ)  
1-4" WATER SERVICE METER PER CITY STANDARD PLAN 03.03.03  
1-4" BACKFLOW ASSEMBLY PER CITY STANDARD PLAN 03.04.03
18. 10LF~4" DI CL52 WATER LINE
19. INSTALL:  
1-4" 90° BEND (M,J,M)  
THRUST BLOCKING
20. 5LF~4" DI CL52 WATER LINE
21. INSTALL:  
1-4" 90° BEND (M,J,F)  
THRUST BLOCKING
22. 5LF~4" DI CL52 WATER LINE
23. INSTALL:  
1-4"x4"x4" TEE (M)
24. 6LF~4" DI CL52 WATER LINE  
1-COMNECT TO EXISTING WATER FILL STATION (WHEEL GATE VALVE PREFERRED IN PLACE OF BALL VALVE)
25. 50LF~4" DI CL52 WATER LINE
26. INSTALL:  
1-4" 90° BEND (M,J,M)  
THRUST BLOCKING
27. INSTALL:  
4LF~4" DI CL52 WATER LINE  
1-COMNECT TO EXISTING WATER FILL STATION (WHEEL GATE VALVE PREFERRED IN PLACE OF BALL VALVE)



**B BLOCK WALL**  
N.T.S.



**A PERMEABLE PAVEMENT SECTION**  
N.T.S.



**ON-SITE STORM**  
HORIZONTAL: 1"=30'  
VERTICAL: 1"=5'