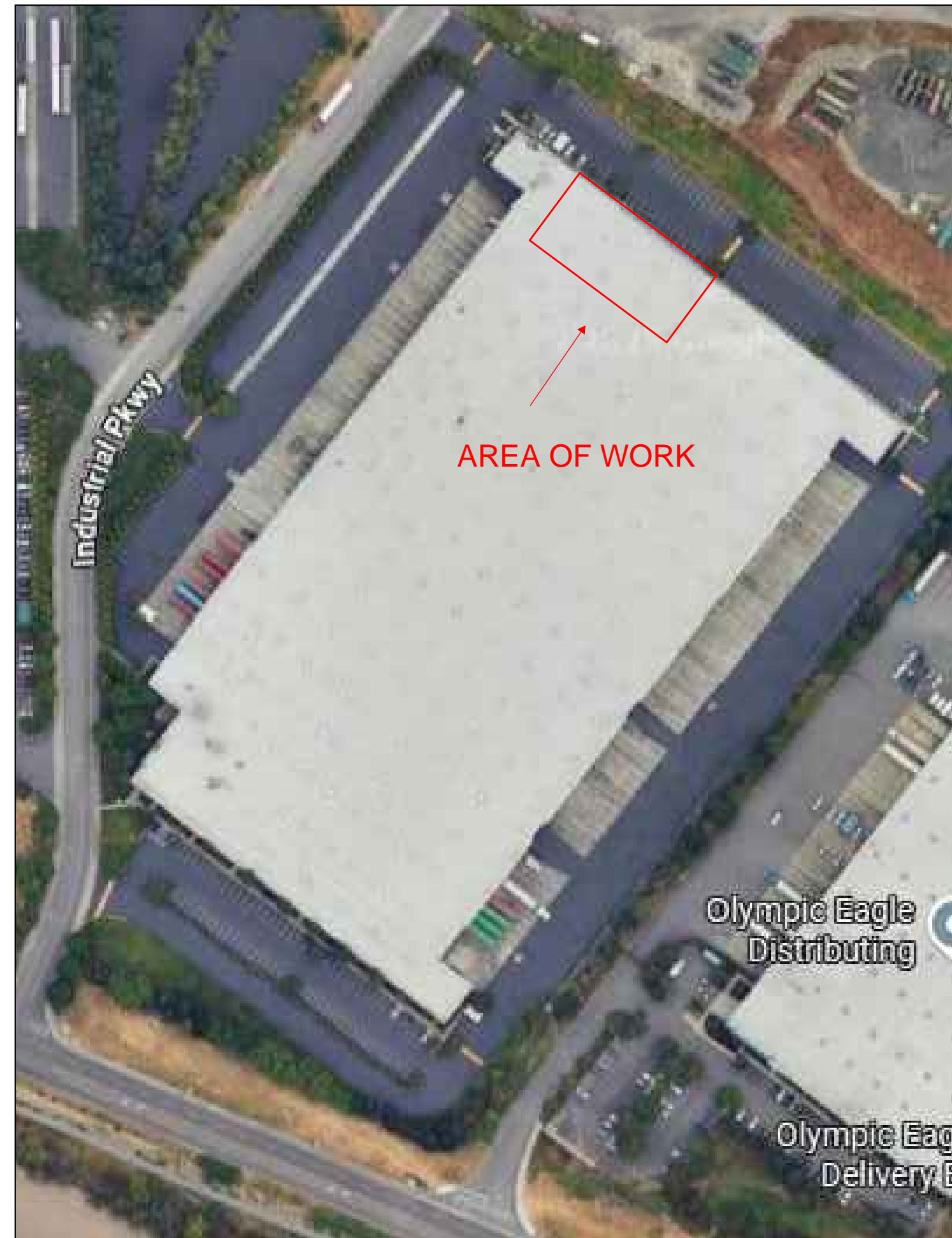


GENERAL NOTES

- INSTALLATION SHALL BE ACCOMPLISHED IN STRICT COMPLIANCE WITH NFPA, LOCAL, AND STATE AHJ'S, NEC, AND CONTRACT DRAWINGS.
- RECORD DRAWINGS ARE REQUIRED AT THE TIME OF AHJ ACCEPTANCE. PATRIOT FIRE PROTECTION, INC. REQUIRES ELECTRICAL RED LINES WITH IN TWO WEEKS PRIOR TO PRIOR AHJ TESTS.
- AGREEMENT AND CONFIRMATION OF ALL MILESTONE EVENTS WILL BE MADE WITH PATRIOT FIRE PROTECTION, INC. PROJECT MANAGER, ALL FS TECHNOLOGIES FIELD SERVICES MUST BE SCHEDULED WITH PATRIOT FIRE PROTECTION, INC. PROJECT MANAGER WITH A MINIMUM OF TEN BUSINESS DAYS ADVANCE NOTICE.
- A SET OF INSTALLATION AS-BUILT DRAWINGS SHOWING ACTUAL CONDUIT AND CONDUCTOR ROUTES SHALL BE KEPT BY PROJECT FOREMAN FOR USE BY PATRIOT FIRE PROTECTION, INC. ALARM TECHNICIAN.
- FIRE ALARM CONTROL PANEL SHALL NOT BE ENEGRIZED WITHOUT THE PRESENCE OF A PATRIOT FIRE PROTECTION, INC. ALARM TECHNICIAN.
- THE FIRE ALARM SYSTEM SHALL BE MONITORED BY UNDERWRITERS LISTED MONITORING STATION BEFORE AHJS TEST.
- THE WIRING ROUTING IS DIAGRAMMATIC IN NATURE ONLY AND NOT INTENDED FOR ACTUAL CONDUIT ROUTING.
- ALL CONDUIT SIZING AND ROUTING BY ELECTRICAL CONTRACTOR PER NEC AND AHJ.
- NO LINE VOLTAGE IN SAME CONDUIT AS POWER LIMITED FIRE ALARM CABLE.
- VERIFY ALL LOCATIONS OF DEVICES WITH ELECTRICAL AND ARCHITECTURAL PLANS, SCALE AND PLACE DEVICES PER ELECTRICAL AND ARCHITECTURAL PLANS
- FIELD VERIFY WATERFLOW SWITCHES, TAMPER SWITCHES, PRESSURE SWITCHES, SMOKE DAMPERS, AND DUCT DETECTOR LOCATIONS.
- FIELD VERIFY ALL WIRING LOCATIONS AND REQUIREMENTS FOR HVAC AND FAN CONTROL.
- SMOKE DETECTORS SHALL NOT BE LOCATED WITH IN 36" OF ANY DIFFUSER
- WALL MOUNTED AUDIBLE/VISUAL APPLIANCES SHALL BE MOUNTED IN SUCH THAT THE ENTIRE LENS IS NOT LESS THAN 80" AND NOT GREATER THAN 96" ABOVE FINISHED FLOOR
- THE OPERABLE PART OF EACH MANUAL FIRE ALARM BOX SHALL NOT BE LESS THAN 3'-6" AND NOT MORE THAN 4'-0" ABOVE THE FINISHED FLOOR.
- NO DETECTORS SHALL BE INSTALLED UNTIL AFTER FINAL CONSTRUCTION CLEAN-UP, DETECTORS THAT HAVE BEEN INSTALLED PRIOR TO CLEAN-UP MUST BE CLEANED OR REPLACED AND WILL BE INVOICED ON A TIME AND MATERIAL BASIS.
- A DEDICATED BRANCH CIRCUIT OF ONE OF THE FOLLOWING SHALL SUPPLY PRIMARY POWER.
 - A) COMMERCIAL LIGHT AND POWER.
 - B) AN ENGINE-DRIVEN GENERATOR OR EQUIVALENT WHERE A PERSON SPECIFICALLY TRAINED IN ITS OPERATIONS IS ON DUTY AT ALL TIMES.
 - C) AN ENGINE-DRIVEN GENERATOR OR EQUIVALENT ARRANGED FOR COGENERATION WITH COMMERCIAL LIGHT AND POWER WHERE A PERSON SPECIFICALLY TRAINED IN ITS OPERATION IS ON DUTY AT ALL TIMES.
- ALL CIRCUITS WILL BE PROPERLY TAGGED AND TESTED FOR OPENS, SHORTS, GROUNDS, AND PROPER "END-TO-LINE" RESISTANCE. EACH CIRCUITS METER READING MUST BE DOCUMENTED AND PRESENTED TO PATRIOT FIRE PROTECTION, INC. ALARM TECHNICIAN UPON ARRIVAL ONSITE FOR STARTUP AND CHECKOUT.
- NO TAPPING OF SIGNALING OR INITIATING ZONE CIRCUITS ARE ALLOWED. T-TAPPING OF STYLE 4 ADDRESSABLE CIRCUITS IS ALLOWED PROVIDING A SPLICE IS PROFESSIONALLY INSTALLED, POLARITY IS OBSERVED, AND SHIELDS ARE CONTINUOUS AND FREE OF GROUNDS. SHIELDS MUST BE TERMINATED AT THE FIRE ALARM CONTROL PANEL ONLY. CABLE SHIELDS SHALL BE SPLICED TOGETHER AT EVERY JUNCTION BETWEEN THE FIRE ALARM CONTROL PANEL AND THE LAST DEVICE ON EACH CABLE RUN. SHIELDS AND OTHER FIRE ALARM CONDUCTORS (EXCEPT POWER GROUNDS) SHALL BE INSULATED AND COMPLETELY FREE FROM CONDUIT OR EARTH GROUNDS. SHIELDS WILL BE TIED TO GROUND ONLY AT THE FIRE ALARM CONTROL PANEL.

DRAWING ACCEPTANCE

THIS DRAWING IS TO BE USED FOR THE PURPOSE OF PLACING AND LOCATING PATRIOT FIRE PROTECTION, INC. FIRE ALARM DEVICES AND IS NOT TO BE USED FOR ANY OTHER PURPOSES.



SCOPE OF WORK

TENANT IMPROVEMENT. PATRIOT FIRE PROTECTION IS TO ADD FIRE ALARM MODULES, RELAYS, AND DETECTION WITH AUDIBILITY TO THE TRIMLITE SUITE FOR NEW PAINT BOOTHS, OVEN AND MIXING ROOM

USE & OCCUPANCY CLASSIFICATION

- ASSEMBLY (A) A-1 A-2 A-3 A-4 A-5
- BUSINESS (B)
- EDUCATIONAL (E)
- FACTORY & INDUSTRIAL (F) F-1 F-2
- HIGH HAZARD (H) H-1 H-2 H-3 H-4 H-5
- INSTITUTIONAL (I) I-1 I-2 I-3 I-4
- MERCANTILE (M)
- RESIDENTIAL (R) R-1 R-2 R-3 R-4
- STORAGE (S) S-1 S-2 S-3 S-4
- UTILITY & MISCELLANEOUS (U)

AUTOMATIC SPRINKLER PROTECTION

- NO PARTIAL FULL

WIRE LEGEND

LABEL	PART NO	MANUFACTURER	APPLICATION	RESISTANCE MFT	AWG	DESCRIPTION	TOTAL LENGTH
A	162 FFLR	GENERIC	SLC	4.89	16	2 COND. SOLID COPPER FFLR ADDRESSABLE	123'
DP	122 FFLP	GENERIC		1.93	12	2 COND. SOLID COPPER FFLP ANALOG UNSHIELDED	28'

DEVICE LEGEND

SYMBOL	NEW	EXISTING	MANUFACTURER	PART NO	DESCRIPTION
[FACU]		1	SILENT KNIGHT	6820	INTELLIGENT FIRE ALARM CONTROL PANEL WITH COMMUNICATOR
[NAC]		1	POTTER	PSN-106	10A CONVENTIONAL POWER SUPPLY WITH 6 OUTPUTS
[AM] D	5		SILENT KNIGHT	SK-MONITOR-2	DUAL MONITORING MODULE
[AM] C	5		SILENT KNIGHT	SK-RELAY	RELAY MODULE
[S]	1		SILENT KNIGHT	SK-PHOTO-W WB300-6	WHITE, LOW-PROFILE PHOTOELECTRIC SENSOR W/BASE
[C]	1		SYSTEM SENSOR	SCRLED	STROBE, CEILING, RED
[WF]	5		PROVIDED BY OTHERS	WF	WATERFLOW
[TS]	5		PROVIDED BY OTHERS	TS	TAMPER SWITCH

OPERATION MATRIX

	MANUAL FULL STATION	SMOKE DETECTOR	HEAT DETECTOR (SPD)	PAINT BOOTH 1 WATERFLOW	PAINT BOOTH 1 TAMPER	PAINT BOOTH 2 WATERFLOW	PAINT BOOTH 2 TAMPER	PAINT BOOTH 3 WATERFLOW	PAINT BOOTH 3 TAMPER	MIXING ROOM	MIXING ROOM WATERFLOW	LOW TEMP TAMP	LOW TEMP TAMP	SYSTEM TROUBLE	AC FAIL	COMMUNICATOR FAIL
DISPLAY OF AN ALARM EVENT AT THE FACP	X	X	X	X	X	X	X	X	X	X	X					
DISPLAY OF A SUPERVISORY EVENT AT THE FACP				X	X	X	X	X	X	X	X					
DISPLAY OF A TROUBLE EVENT AT THE FACP														X	X	X
TRANSMIT AN ALARM SIGNAL TO THE CENTRAL STATION	X	X	X	X	X	X	X	X	X	X	X					
TRANSMIT A SUPERVISORY SIGNAL TO THE CENTRAL STATION				X	X	X	X	X	X	X	X					
TRANSMIT A TROUBLE SIGNAL TO THE CENTRAL STATION														X	X	
INITIATE BUILDING NOTIFICATION (A/V DEVICES)	X	X						X								

STATE CERTIFICATION

Jeff Harasimowitz
Fire Alarm Systems - Level III
NICET Certification Number 160601
Exp: 11/01/2028
Authorizing Signature: [Signature]

REVISIONS	NO	DATE	BY	DESCRIPTION

SHEET INDEX	DESCRIPTION	GENERAL SHEET	DEVICE LOCATIONS AND CALCULATIONS	PRODUCT TYPICALS
FA001				
FA101				
FA102				

REVISIONS	NO	DATE	BY	DESCRIPTION

SYSTEM DESIGN CODES

INTERNATIONAL BUILDING CODE (IBC 2021 EDITION)
 INTERNATIONAL FIRE CODE (IFC 2021 EDITION)
 NATIONAL ELECTRICAL CODE (NFPA 70: 2020 EDITION)
 ADA INTERNATIONAL CODE ANSII 117.1
 NATIONAL FIRE ALARM AND SIGNALING CODE (NFPA 72: 2019 EDITION)

INSTALLATION COMPANY

PATRIOT FIRE PROTECTION, INC.
 2707 70TH AVE E, TACOMA, WA 98424

MONITORING COMPANY

AVANTGUARD MONITORING CENTERS, LLC
 4699 HARRISON BLVD, SUITE 100
 OGDEN, UT 84403

CONTRACT WITH:

CODEL Doors

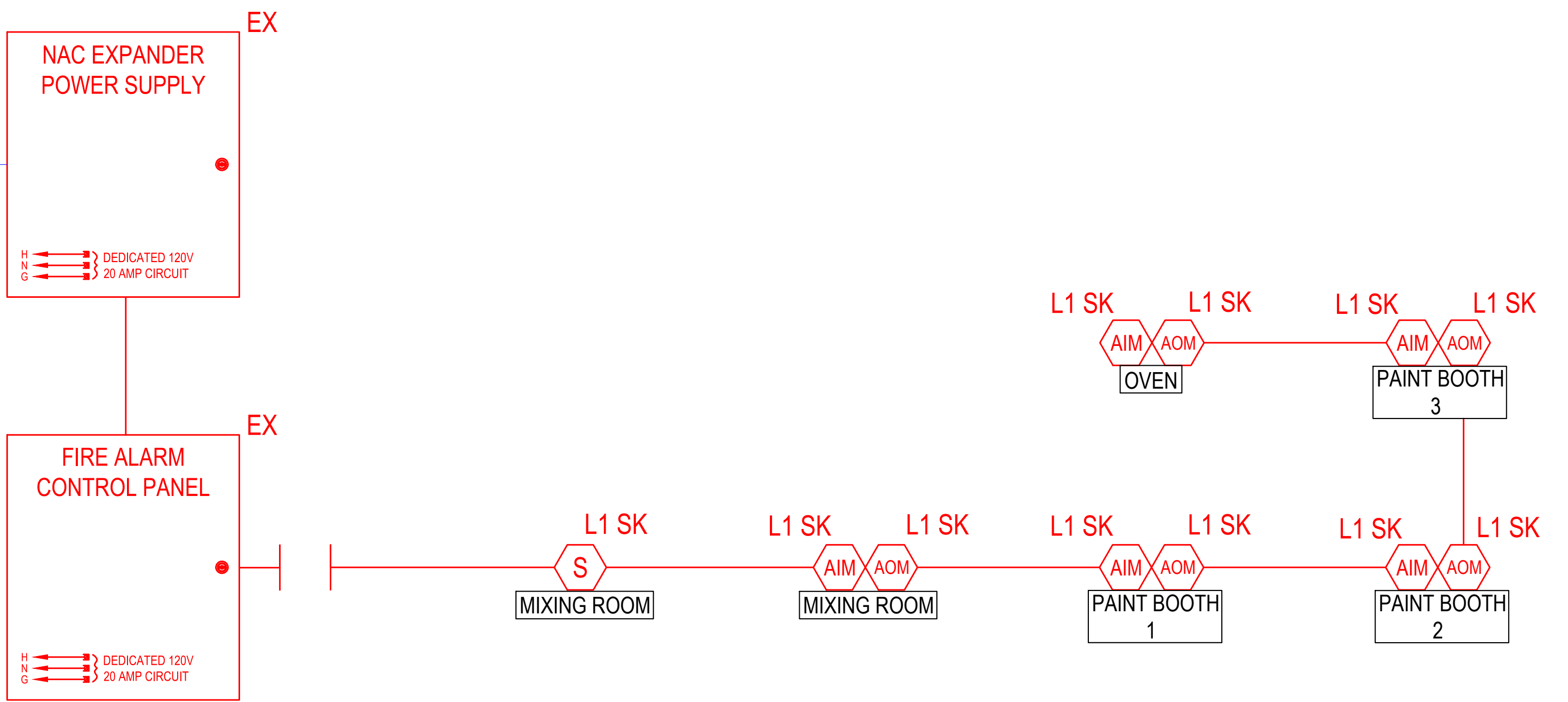
PROJECT NAME:

Trimlite Paint Booths
 1601 Industrial Parkway Suite 101 & 102
 Puyallup, WA 98371

PATRIFFB370Q
 WWW.PATRIOTFIRE.COM
 Erick.Escobedo@patriotfire.com

2707 70th Ave E, Tacoma, WA 98424
 TEL: (253) 532-0967
 FAX: (253) 922-6150

DESIGNER	ERICK E.	SHEET	FA001
DATE	01/07/26	1 OF 3	
JOB NO.	19-1044		



City of Puyallup Fire REVIEWED FOR COMPLIANCE

DDrake
 01/11/2026
 9:12:10 PM

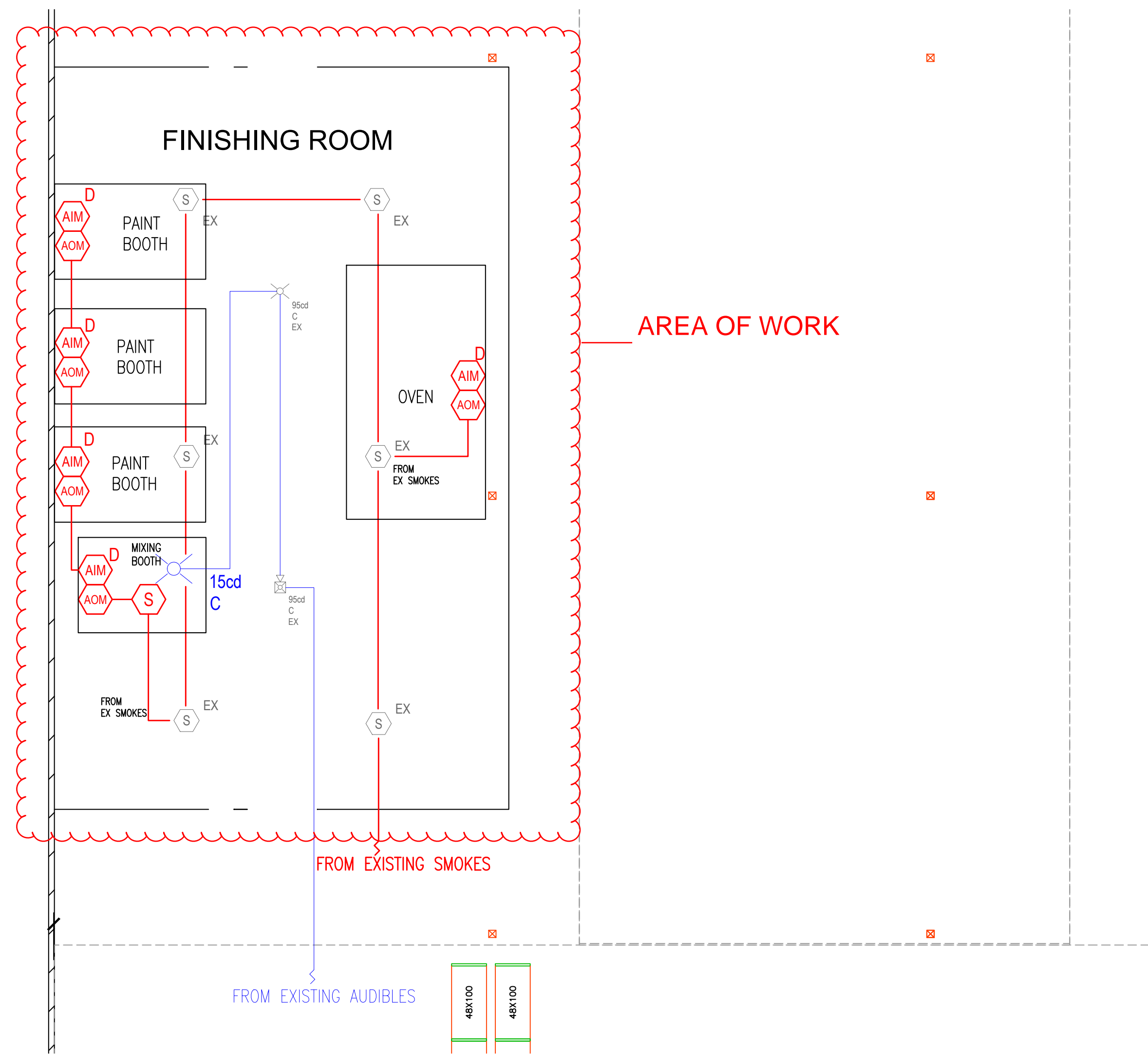
THE APPROVED CONSTRUCTION PLANS AND ALL ENGINEERING MUST BE POSTED ON THE JOB AT ALL INSPECTIONS IN A VISIBLE AND READILY ACCESSIBLE LOCATION.

Approval of submitted plans is not an approval of omissions or oversight by this office or noncompliance with any applicable regulations of local government. The contractor is responsible for making sure that the building complies with all applicable building codes and regulations of the local government.

City of Puyallup
 Development & Permitting Services
 ISSUED PERMIT

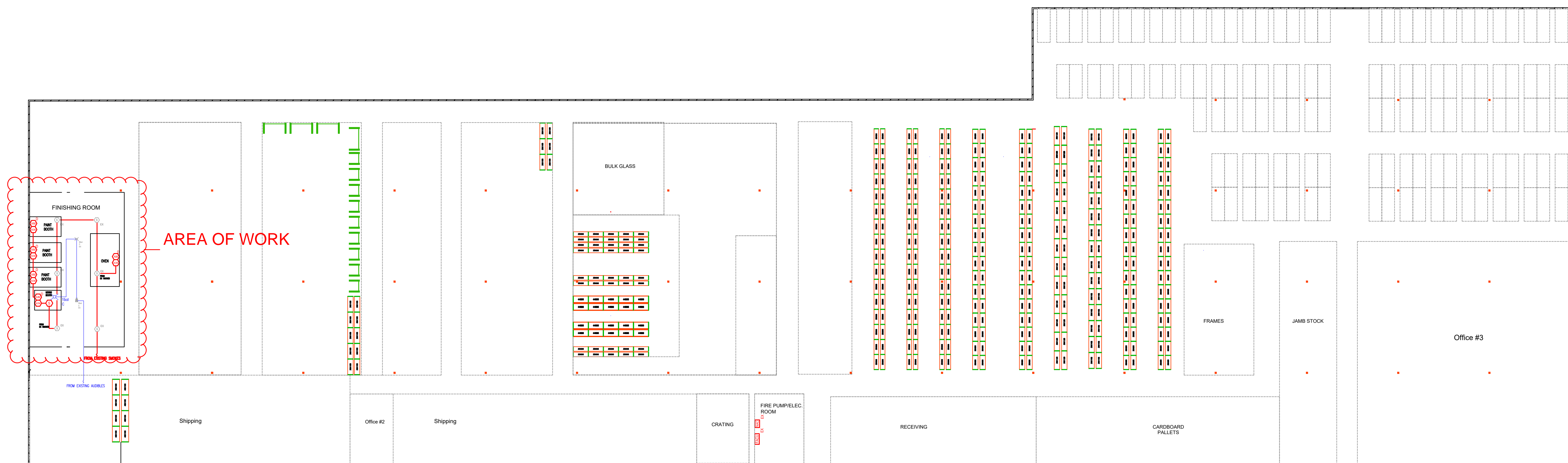
Building	Planning
Engineering	Public Works
Fire	Traffic

RISER DIAGRAM
 NOT TO SCALE



FINISHING ROOM
3/32" = 1'-0"

PANEL EX (6820) BATTERY CALCULATION (SECONDARY POWER SOURCE REQUIREMENTS)											
CIRCUIT	MAX CARD AMPS	USED CARD AMPS	SPARE CARD AMPS	SYMBOL	QTY	PART NO.	DESCRIPTION	STANDBY CURRENT		SECONDARY ALARM CURRENT	
								CURRENT DRAW (A)	TOTAL (A)	CURRENT DRAW (A)	TOTAL (A)
PANEL COMPONENTS					1	6820	INTELLIGENT FIRE ALARM CONTROL PANEL WITH COMMUNICATOR	0	0	0	0
					1	6820 MAIN BOARD	MAIN BOARD	0.19	0.19	0.25	0.25
L1 SK	6	0.036525	5.963475	AM D	5	SK-MONITOR-2	DUAL MONITORING MODULE	0.00075	0.00375	0.00075	0.00375
				S	1	SK-PHOTO-W WB300-6	WHITE, LOW-PROFILE PHOTOELECTRIC SENSOR W/BASE	0.0002	0.0002	0.0045	0.0045
				S	6	SK-PHOTO-W WB300-6 (EX)	WHITE, LOW-PROFILE PHOTOELECTRIC SENSOR W/BASE	0.0002	0.0012	0.0045	0.027
				ACM	5	SK-RELAY	RELAY MODULE	0.000255	0.001275	0.000255	0.001275
							TOTAL STANDBY (A)	0.196425		TOTAL ALARM (A)	0.286525
							REQUIRED STANDBY TIME (HOURS)		24		5
							REQUIRED ALARM TIME (MINUTES)		0.083		4.71
							SECONDARY STANDBY LOAD (A)	0.196425			4.71
							SECONDARY ALARM LOAD (A)				0.024
							STANDBY AND ALARM SUBTOTAL (AMP HOURS)				1.25
							DERATING FACTOR				5.92
							SECONDARY LOAD REQUIREMENTS (AMP HOURS)				
PROVIDE (2) 12V 7AH BATTERIES											
PANEL EX (PSN-106) BATTERY CALCULATION (SECONDARY POWER SOURCE REQUIREMENTS)											
CIRCUIT	MAX CARD AMPS	USED CARD AMPS	SPARE CARD AMPS	SYMBOL	QTY	PART NO.	DESCRIPTION	STANDBY CURRENT		SECONDARY ALARM CURRENT	
								CURRENT DRAW (A)	TOTAL (A)	CURRENT DRAW (A)	TOTAL (A)
PANEL COMPONENTS					1	PSN-106	10A CONVENTIONAL POWER SUPPLY WITH 6 OUTPUTS	0	0	0	0
					1	PSN-106 MAIN BOARD	PSN-106 MAIN BOARD	0.075	0.075	0.075	0.075
N1	N/A	0.499000		∇ C	2	PC2RLED (EX)	2-WIRE, HORN STROBE, CEILING, RED 75CD	0	0	0.087	0.174
				∇ C	1	PC2RLED (EX)	2-WIRE, HORN STROBE, CEILING, RED 95CD	0	0	0.092	0.092
				C	1	SCRLED	STROBE, CEILING, RED 15CD	0	0	0.018	0.018
				C	2	SCRLED (EX)	STROBE, CEILING, RED 75CD	0	0	0.07	0.14
				C	1	SCRLED (EX)	STROBE, CEILING, RED 95CD	0	0	0.075	0.075
							TOTAL STANDBY (A)	0.075		TOTAL ALARM (A)	0.5740
							REQUIRED STANDBY TIME (HOURS)		24		1.80
							REQUIRED ALARM TIME (MINUTES)		0.083		0.048
							SECONDARY STANDBY LOAD (A)	0.075			1.80
							SECONDARY ALARM LOAD (A)				0.048
							STANDBY AND ALARM SUBTOTAL (AMP HOURS)				2.31
							DERATING FACTOR				
							SECONDARY LOAD REQUIREMENTS (AMP HOURS)				
PROVIDE (2) 12V 7AH BATTERIES											
*BATTERY BOX SIZE CAPACITY NOT SPECIFIED. REFER TO MANUFACTURER DOCUMENTATION.											



SUITE 102/SUITE 101 FLOOR PLAN
1/32" = 1'-0"

City of Puyallup
Development & Permitting Services
ISSUED PERMIT

Building	Planning
Engineering	Public Works
Fire	Traffic

STATE CERTIFICATION

Jeff Harasimowitz
Fire Alarm Systems - Level III
NICET Certification Number 160601
Exp: 11/01/2028
Authorizing Signature: *[Signature]*

REV	DESCRIPTION	DATE	BY
FA001	GENERAL SHEET		
FA101	DEVICE LOCATIONS AND CALCULATIONS		
FA102	PRODUCT TYPICALS		

NO	DATE	BY	DESCRIPTION

SYSTEM DESIGN CODES

- INTERNATIONAL BUILDING CODE (IBC 2021 EDITION)
- INTERNATIONAL FIRE CODE (IFC 2021 EDITION)
- NATIONAL ELECTRICAL CODE (NFPA 70: 2020 EDITION)
- ADA INTERNATIONAL CODE ANSII 117.1
- NATIONAL FIRE ALARM AND SIGNALING CODE (NFPA 72: 2019 EDITION)

INSTALLATION COMPANY

PATRIOT FIRE PROTECTION, INC.
2707 70TH AVE E, TACOMA, WA 98424

MONITORING COMPANY

AVANTGUARD MONITORING CENTERS, LLC
4699 HARRISON BLVD, SUITE 100
OGDEN, UT 84403

CONTRACT WITH:

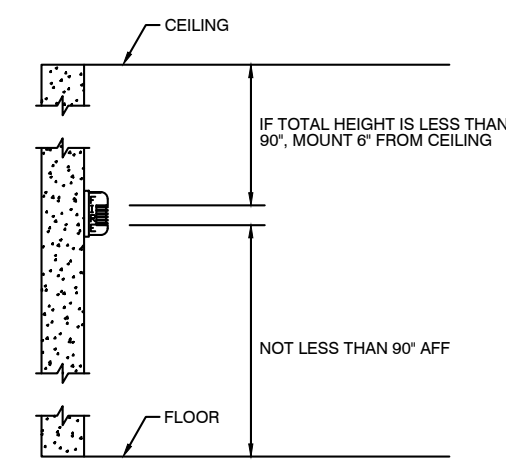
CODEL Doors

PROJECT NAME:

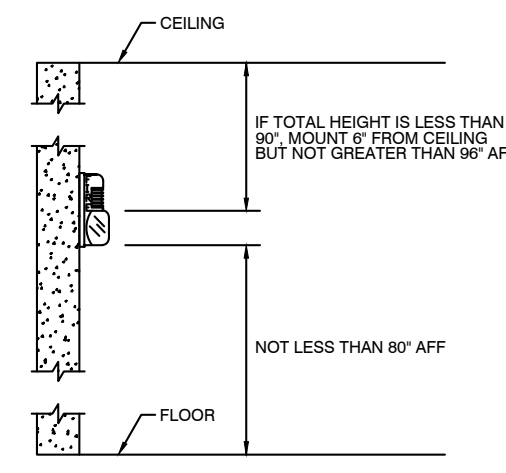
Trimlite Paint Booths
1601 Industrial Parkway Suite 101 & 102
Puyallup, WA 98371

PATRIOT FIRE PROTECTION, INC.
2707 70th Ave E, Tacoma, WA 98424
TEL: (253) 532-0967
FAX: (253) 922-6150

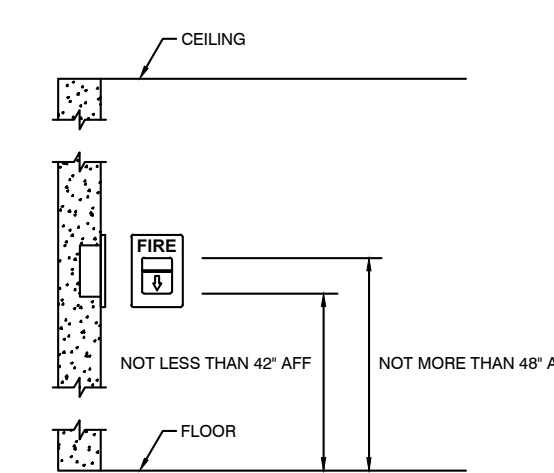
DESIGNER	ERICK E.	SHEET	2 OF 3	FA101
DATE	01/07/26	JOB NO.	19-1044	
JOB NO.	19-1044			



NFPA 72 2013, 18.4.8.1
WALL MOUNTED APPLIANCES SHALL HAVE THEIR TOPS ABOVE THE FINISHED FLOORS AT HEIGHTS OF NOT LESS THAN 90" AND BELOW THE FINISHED CEILING AT DISTANCES OF NOT LESS THAN 6".

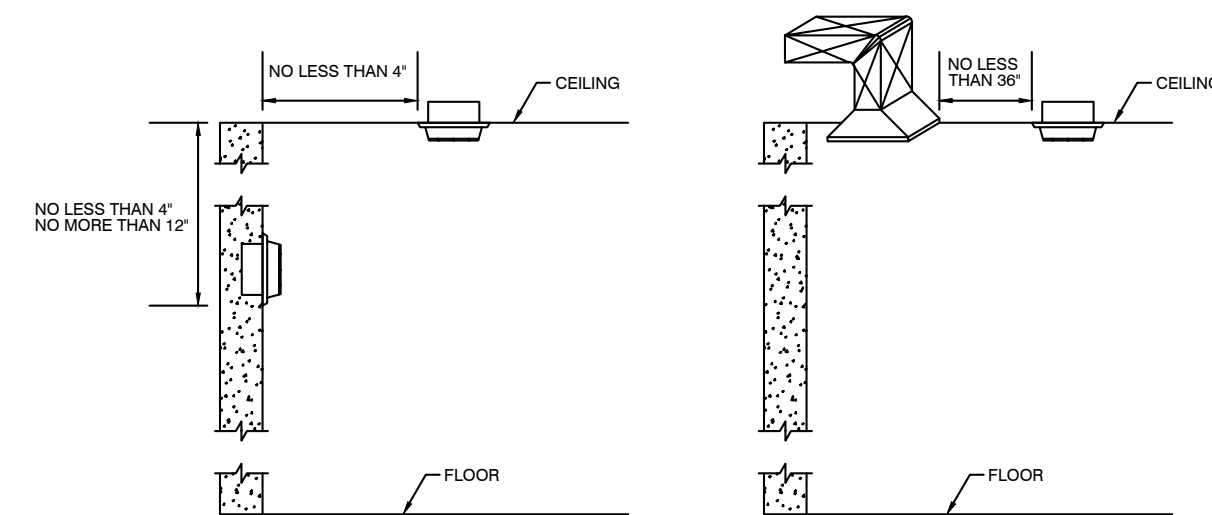


NFPA 72 2013, 18.5.5.1
WALL MOUNTED APPLIANCES SHALL BE MOUNTED SUCH THAT THE ENTIRE LENS IS NOT LESS THAN 90" AND NOT GREATER THAN 96" ABOVE THE FINISHED FLOOR.



NFPA 72 2013, 17.14.5
THE OPERABLE PART OF A MANUALLY ACTUATED ALARMING DEVICE SHALL BE NOT LESS THAN 42" AND NOT MORE THAN 48" FROM THE FINISHED FLOOR.

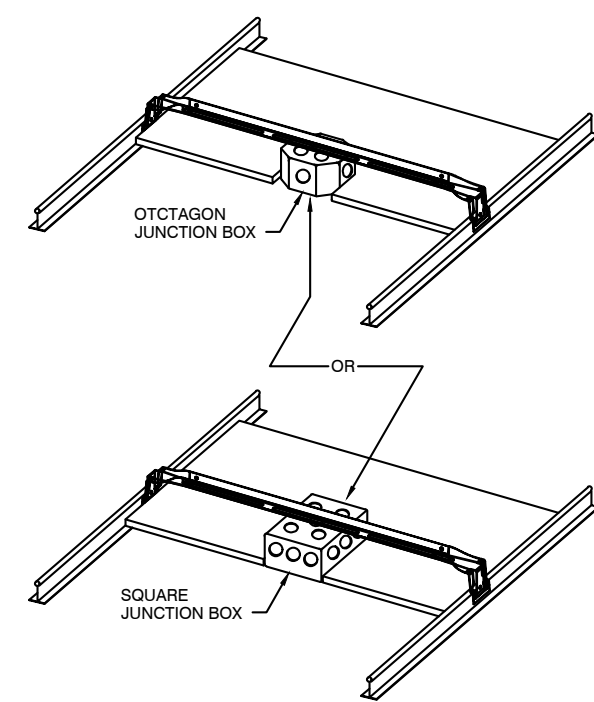
A FIRE ALARM - HORN MOUNTING



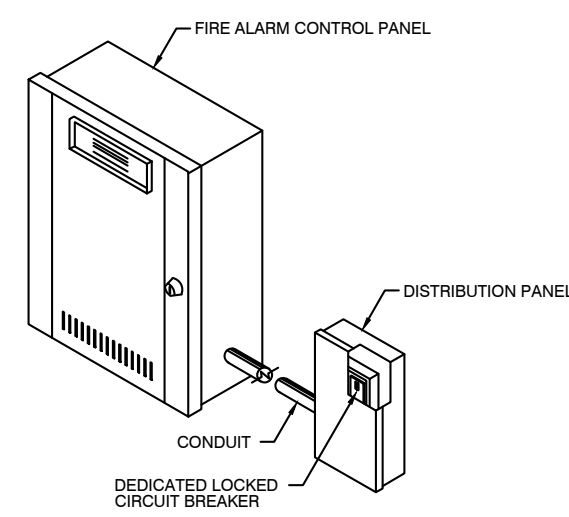
NFPA 72 2013, 17.6.3.1.1
DETECTORS SHALL BE LOCATED ON THE CEILING NOT LESS THAN 4" FROM THE SIDEWALL OR ON THE SIDEWALLS BETWEEN 4" AND 12" FROM THE CEILING.

NFPA 72 2013, A.17.7.4.1
DETECTORS SHALL NOT BE LOCATED IN DIRECT AIRFLOW OR CLOSER THAN 36" FROM AN AIR SUPPLY, DIFFUSER OR RETURN AIR OPENING.

D FIRE ALARM - SMOKE & HEAT MOUNTING

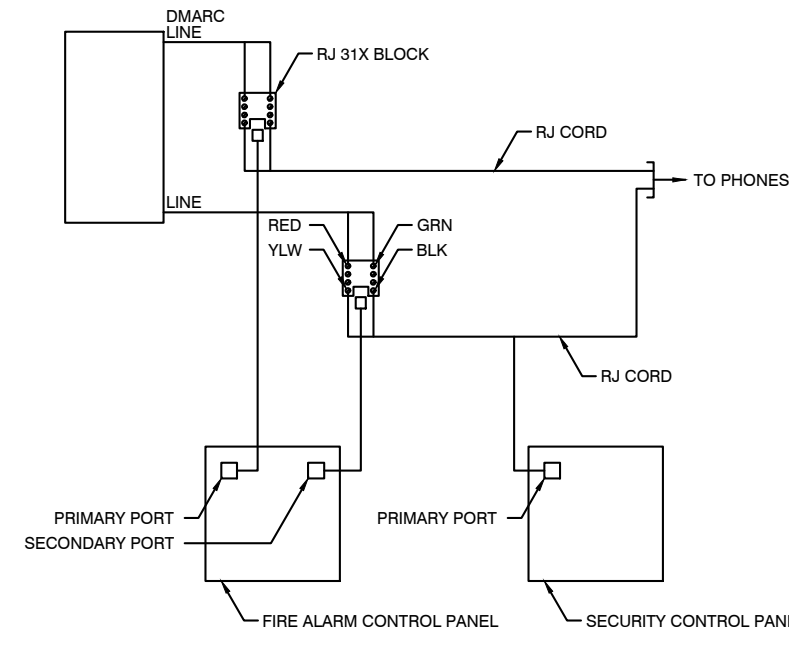


G FIRE ALARM - DROP CEILING & J BOX

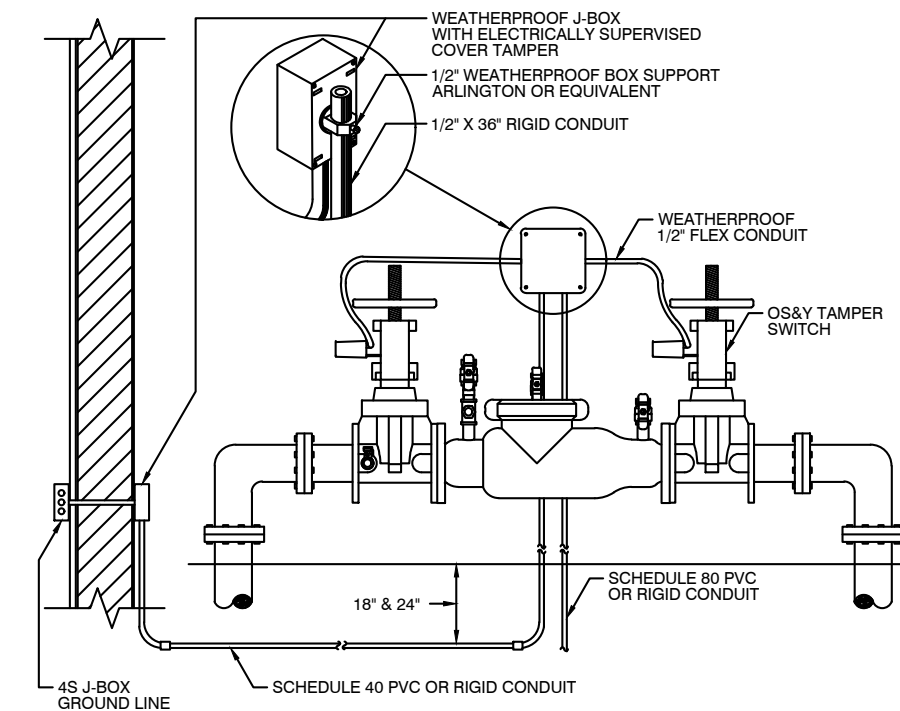


I FIRE ALARM - POWER DISCONNECT

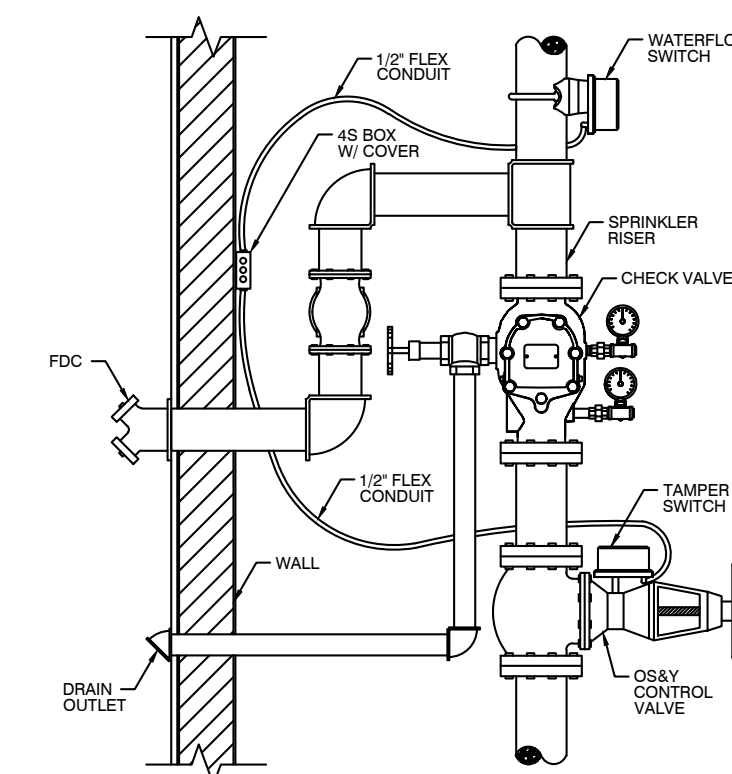
B FIRE ALARM - STROBE MOUNTING



E FIRE ALARM - PHONE CONNECTION

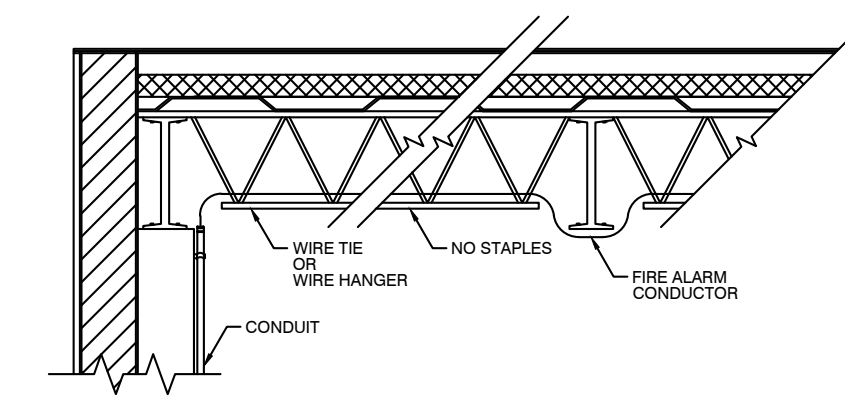


H FIRE ALARM - DCVA TAMPER SWITCHES

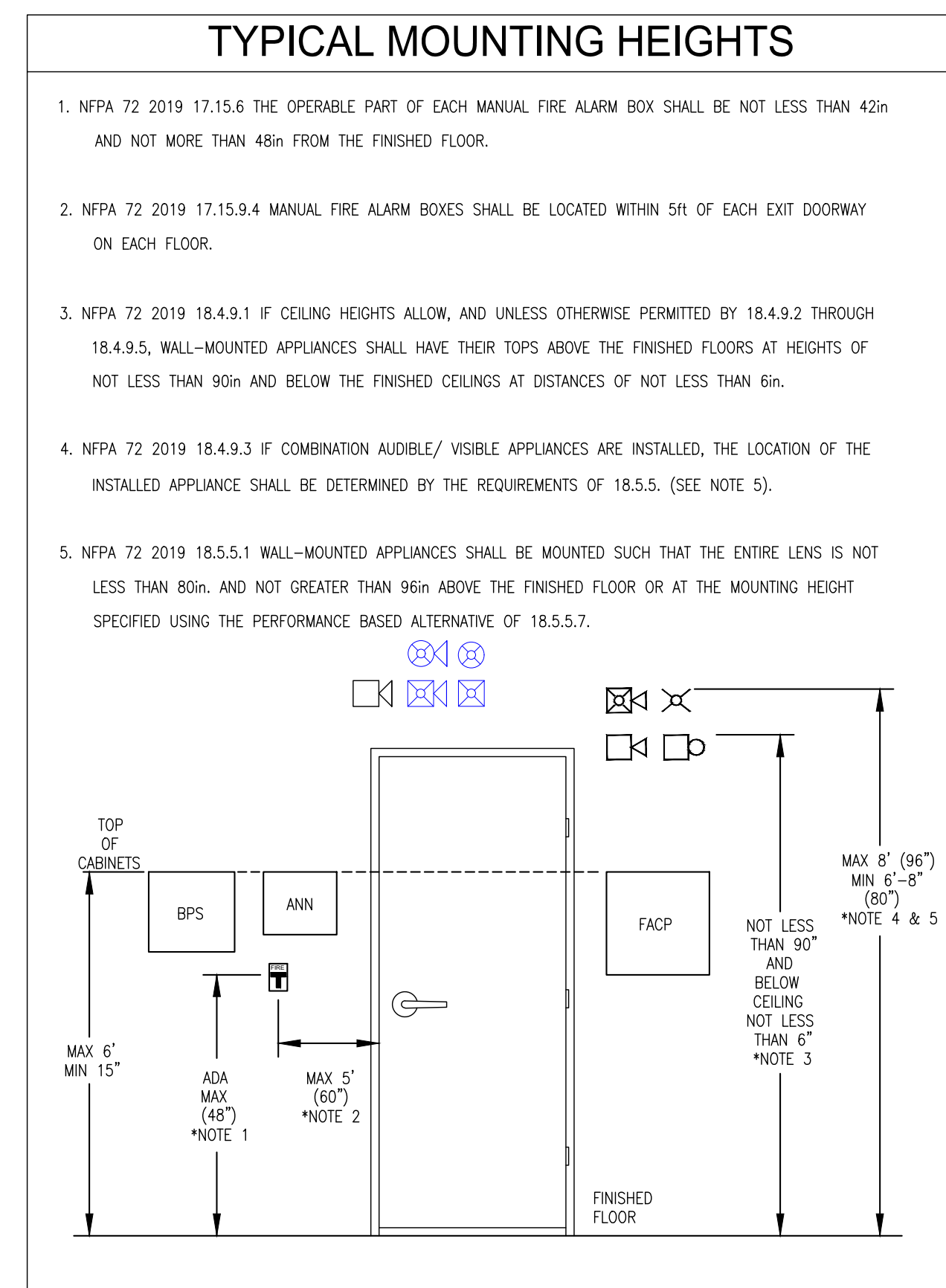


J FIRE ALARM - OS&Y TAMPER GATE VALVE

C FIRE ALARM - PULL STATION MOUNTING

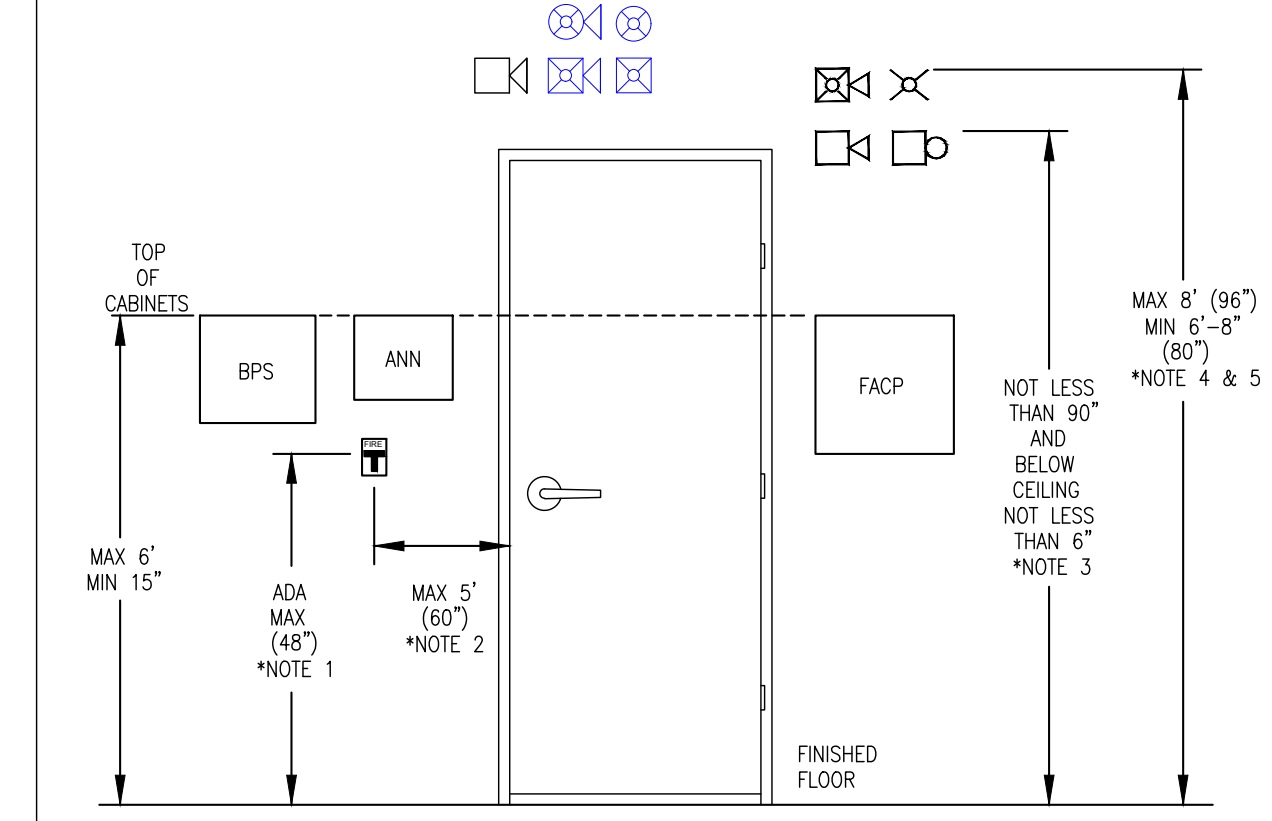


F FIRE ALARM - CEILING TO WALL TRANSITION AND OPEN WIRING



TYPICAL MOUNTING HEIGHTS

- NFPA 72 2013 17.15.6 THE OPERABLE PART OF EACH MANUAL FIRE ALARM BOX SHALL BE NOT LESS THAN 42in AND NOT MORE THAN 48in FROM THE FINISHED FLOOR.
- NFPA 72 2013 17.15.9.4 MANUAL FIRE ALARM BOXES SHALL BE LOCATED WITHIN 5ft OF EACH EXIT DOORWAY ON EACH FLOOR.
- NFPA 72 2013 18.4.9.1 IF CEILING HEIGHTS ALLOW, AND UNLESS OTHERWISE PERMITTED BY 18.4.9.2 THROUGH 18.4.9.5, WALL-MOUNTED APPLIANCES SHALL HAVE THEIR TOPS ABOVE THE FINISHED FLOORS AT HEIGHTS OF NOT LESS THAN 90in AND BELOW THE FINISHED CEILING AT DISTANCES OF NOT LESS THAN 6in.
- NFPA 72 2013 18.4.9.3 IF COMBINATION AUDIBLE/ VISIBLE APPLIANCES ARE INSTALLED, THE LOCATION OF THE INSTALLED APPLIANCE SHALL BE DETERMINED BY THE REQUIREMENTS OF 18.5.5. (SEE NOTE 5).
- NFPA 72 2013 18.5.5.1 WALL-MOUNTED APPLIANCES SHALL BE MOUNTED SUCH THAT THE ENTIRE LENS IS NOT LESS THAN 90in. AND NOT GREATER THAN 96in ABOVE THE FINISHED FLOOR OR AT THE MOUNTING HEIGHT SPECIFIED USING THE PERFORMANCE BASED ALTERNATIVE OF 18.5.5.7.



City of Puyallup
Development & Permitting Services
ISSUED PERMIT

Building	Planning
Engineering	Public Works
Fire	Traffic

STATE CERTIFICATION

Jeff Harasimowitz
Fire Alarm Systems - Level III
NICET Certification Number 160601
Exp: 11/01/2028
Authorizing Signature:

NO	DATE	BY	DESCRIPTION

REVISIONS

NO	DATE	BY	DESCRIPTION

SYSTEM DESIGN CODES

INTERNATIONAL BUILDING CODE (IBC 2021 EDITION)
INTERNATIONAL FIRE CODE (IFC 2021 EDITION)
NATIONAL ELECTRICAL CODE (NFPA 70 2020 EDITION)
ADA INTERNATIONAL CODE ANSIE 117.1
NATIONAL FIRE ALARM AND SIGNALING CODE (NFPA 72 2019 EDITION)

INSTALLATION COMPANY

PATRIOT FIRE PROTECTION, INC.
2707 70TH AVE E, TACOMA, WA 98424

MONITORING COMPANY

AVANTGUARD MONITORING CENTERS, LLC
4699 HARRISON BLVD, SUITE 100
OGDEN, UT 84403

CONTRACT WITH:

CODEL Doors

PROJECT NAME:

Trimlite Paint Booths
1601 Industrial Parkway Suite 101 & 102
Puyallup, WA 98371

PATRIOT
FIRE PROTECTION, INC.

2707 70th Ave E.
TACOMA, WA 98424

TEL: (253) 532-0967
FAX: (253) 922-6150

DESIGNER: ERICK E. SHEET: 3 OF 3
DATE: 01/06/26
JOB NO.: 19-1044

FA102