

Fire Alarm Data Sheets

Project: Trimlite Paint Booths
1601 Industrial Parkway
Suite 101 & 102
Puyallup, WA 98274

Job #: 19-1044

Honeywell



SK-MONITOR-2

Addressable Dual Monitor Module

The SK-MONITOR-2 module is capable of monitoring two separate Class B circuits simultaneously, making it ideal for waterflow tamper switch and flow switch monitoring.

The SK-MONITOR-2 is an addressable monitor module with two initiating circuits for use with Honeywell Silent Knight series fire alarm control panels (FACPs). The SK-MONITOR-2 acts as an interface to contact devices, such as waterflow switches and pull stations.

The SK-MONITOR-2 supports Class B supervised wiring to the load device. Conventional 4-wire smoke detectors can be monitored for alarm and trouble conditions..

INSTALLATION

SK-MONITOR-2 mounts directly into a 4" square electrical box. The box must have a minimum depth of 2-1/8". A surface mount electrical box (System Sensor® part number SMB500) is available from Silent Knight.



SK-MONITOR-2

FEATURES & BENEFITS

- Monitor two circuits, with unique addresses, simultaneously
- Support for Class B wiring
- Fully supervised
- Panel controlled status LED that flashes green in normal state and is solid red in alarm
- Attractive ivory cover plate
- Rotary address switches for fast installation
- SEMS screws for easy wiring

SK-MONITOR-2 Technical Specifications

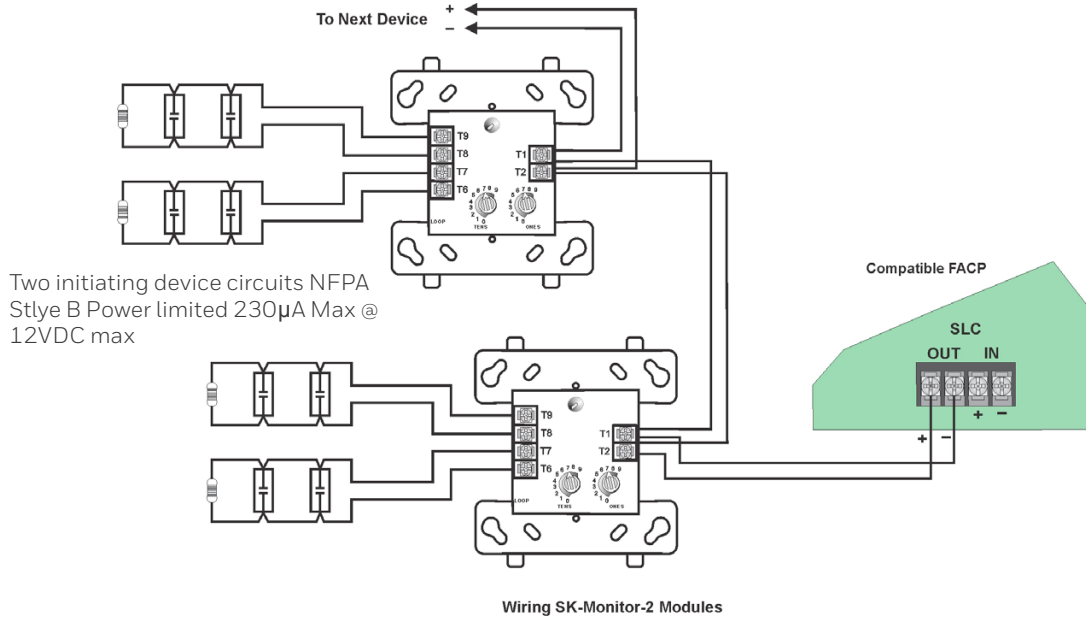
For a complete listing of all compliance approvals and certifications, please visit www.silentknight.com.

Microsoft, Windows, and the Windows Logo are registered trademarks or trademarks of Microsoft Corporation.

Silent Knight®, System Sensor® and Honeywell® are registered trademarks of Honeywell International, Inc.

This document is not intended to be used for installation purposes. We try to keep our product information up-to-date and accurate. We cannot cover all specific applications or anticipate all requirements. All specifications are subject to change without notice.

For Technical Support, call 800-446-6444.



PHYSICAL

Height: 4.5" H x 4" W x 1.25" D
Shipping Weight: 6.3 oz (196 g)

ELECTRICAL

Operating Voltage: 15 – 32 VDC
Standby and Alarm Current: 750µA max @ 24VDC (one communication every 5 sec with 47K EOL)
End-of-Line Resistance: 47KΩ

ENVIRONMENTAL

Operating Temperature: 32°F – 120°F (0°C – 49°C)
Humidity: 10% – 93% non-condensing

ORDERING INFORMATION

SK-Monitor-2: Dual Monitoring Module

ACCESSORIES

SMB500: 4" Square Surface Mount Electrical Box

AGENCY LISTINGS AND APPROVALS

UL Listed
 CSFM Approved
 City of New York Approved

COMPATIBILITY

The SK-MONITOR-2 is compatible with the following Honeywell Silent Knight fire alarm control panels:

- 6820:** Addressable fire alarm control panel
- 6820EVS:** Addressable fire alarm control panel with an emergency mass notification system.
- 6808:** Addressable fire alarm control panel
- 6700:** Addressable fire alarm control panel
- 5700:** Addressable fire alarm control panel
- 5808:** Addressable fire alarm control panel
- 5820XL:** Addressable fire alarm control panel
- 5820XL-EVS:** Addressable fire alarm control panel with an emergency mass notification system.

For more information

Learn more about Honeywell Silent Knight and other products by visiting www.silentknight.com

Honeywell Silent Knight

12 Clintonville Road
 Northford, CT 06472
 800-328-0103

Honeywell



SK-RELAY

Intelligent Relay Module

The SK-RELAY is an addressable relay module for use with Honeywell Silent Knight Series fire alarm control panels (FACPs). The SK-RELAY allows a Silent Knight FACP to switch discrete contacts by code command. The relay contains two isolated sets of Form C contacts, which operate as a DPDT switch. No supervision is provided for the notification appliance circuit.

The SK-RELAY contacts can be used for virtually any normally open or normally closed application. Each SK-RELAY is programmed with a unique signaling line circuit (SLC) loop address. When an event occurs that controls the SK-RELAY, the relay is triggered by the FACP.

INSTALLATION

The SK-RELAY mounts directly into a 4" square electrical box. The box must have a minimum depth of 2-1/8". A surface mount electrical box (System Sensor® PN SMB500) is available from Silent Knight.



SK-RELAY

FEATURES & BENEFITS

- Two sets of Form C contacts
- Rotary address switches for fast installation
- Contacts are rated for a variety of amps (see Specifications)
- Panel controlled status LED that flashes green in normal state and is solid red in alarm
- Relay programming is completely flexible—can be mapped to zone conditions
- Polling LED visible through the cover plate
- SEMS screws for easy wiring
- UL Listed

SK-RELAY Technical Specifications

PHYSICAL

4.675" H x 4.275" W x 1.4" D

Shipping Weight: 6.3 oz (196 g)

ELECTRICAL

Operating Voltage: 15 – 32 VDC

End-of-Line Resistance: Not used

SLC Standby & Alarm Current: .255mA max @ 24VDC (one communication every 5 sec with LED enabled)

ENVIRONMENTAL

Operating Temperature: 32°F – 120°F (0°C – 49°C)

Humidity: 10% – 93% non-condensing

RELAY CONTACT RATINGS

3.0A @ 30VDC resistive

0.9A @ 110VDC resistive

0.9A @ 125VAC resistive

0.5A @ 125VAC inductive (PF = .35)

0.7A @ 75VAC inductive (PF = .35)

ORDERING INFORMATION

SK-RELAY: Relay Module

ACCESSORIES

SMB500: 4" Square Surface Mount Electrical Box

CB500 :Module Barrier

COMPATIBILITY

The SK-RELAY is compatible with the following Honeywell Silent Knight fire alarm control panels:

6820: Addressable fire alarm control panel

6820EVS: Addressable fire alarm control panel with an emergency mass notification system.

6808: Addressable fire alarm control panel

6700: Addressable fire alarm control panel

5700: Addressable fire alarm control panel

5808: Addressable fire alarm control panel

5820XL: Addressable fire alarm control panel

5820XL-EVS: Addressable fire alarm control panel with an emergency mass notification system.

For a complete listing of all compliance approvals and certifications, please visit www.silentknight.com.

Microsoft, Windows, and the Windows Logo are registered trademarks or trademarks of Microsoft Corporation.

Silent Knight®, System Sensor® and Honeywell® are registered trademarks of Honeywell International, Inc.

This document is not intended to be used for installation purposes. We try to keep our product information up-to date and accurate. We cannot cover all specific applications or anticipate all requirements. All specifications are subject to change without notice.

For Technical Support, call 800-446-6444.

For more information

Learn more about Honeywell Silent Knight and other products by visiting www.silentknight.com

Honeywell Silent Knight

12 Clintonville Road
Northford, CT 06472
800-328-0103

Doc 3501271 Rev GI 11/17
© 2017 Honeywell International Inc.



SK-PHOTO-W SERIES

Addressable Photoelectric Smoke Detectors

The Silent Knight® SK-PHOTO-W Series feature a modern design and expanded color options support a variety of contemporary aesthetic demands. In addition, each detector is constructed for exceptional installation and maintenance efficiency.



The SK-PHOTO-W Series intelligent plug-in smoke detectors are designed for both performance and aesthetics, and are direct replacements for the SK-PHOTO Series detectors. A new modern, sleek, contemporary design and enhanced optical sensing chamber is engineered to sense smoke produced by a wide range of combustion sources in accordance with more stringent code standards. The SK-PHOTO-W Series detector sensitivity can be programmed in the control panel software. Sensitivity is continuously monitored and reported to the panel. Point ID capability allows each detector's address to be set with rotary, decimal address switches, providing exact detector location for selective maintenance when chamber contamination reaches an unacceptable level. Dual electronic thermistors add 135°F (57°C) fixed temperature thermal sensing on the SK-PHOTO-T-W. The SK-PHOTO-R-W is a remote test capable detector for use with DNR Series duct detector housings.

FEATURES AND BENEFITS

- Designed to meet UL 1268 7th Edition
- Sleek and stylish contemporary design
- Stable communication technique with noise immunity
- Addressable by device
- Rotary, decimal addressing (Refer to the Silent Knight panel manuals for device capacity)
- Two-wire SLC connection
- LEDs blink every time the unit is polled
- 360°-field viewing angle of the visual alarm indicators (two bi-color LEDs); LEDs blink green in Normal condition and turn on steady red in Alarm
- Integral communications and built-in device-type identification
- Remote test feature from the panel
- Built-in functional test switch activated by external magnet
- Walk test with address display (an address of 121 will blink the detector LED 12-(pause)-1)
- Low standby current
- Built-in tamper-resistant feature
- Designed for direct-surface or electrical-box mounting
- Sealed against back pressure
- Plugs into separate base for ease of installation and maintenance
- Expanded color options
- SEMS screws for wiring of the separate base
- Optional remote, single-gang LED accessory
- Optional sounder, relay, and isolator bases

INSTALLATION

The SK-PHOTO-W Series plug-in intelligent thermal detectors use a separate base to simplify installation, service, and maintenance. Installation instructions are shipped with each detector.

Mount base (all base types) on an electrical backbox which is at least 1.5" (3.81 cm) deep. For a chart of compatible junction boxes, see SK-61045.

Note: Because of the inherent supervision provided by the SLC loop, end-of-line resistors are not required. Wiring "T-taps" or branches are permitted for Style 4 (Class "B") wiring.

Note: When using relay or sounder bases, consult the SK-ISO installation sheet I56-3627 for device limitations between isolator modules and isolator bases.

OPERATION

Each SK-PHOTO-W Series detector uses one of the panel's addresses (total limit is panel dependent) on the Signaling Line Circuit (SLC). It responds to regular polls from the control panel and reports its type and the status. If it receives a test command from the panel (or a local magnet test), it stimulates its electronics and reports an alarm. It blinks its LEDs when polled and turns the LEDs on when commanded by the panel. The SK-PHOTO-W Series offers features and performance that represent the latest in smoke detector technology.

PRODUCT LINE INFORMATION

Note: "-IV" suffix indicates ivory color.

SK-PHOTO-W: White, low-profile photoelectric sensor

SK-PHOTO-T-W: White, same as SK-PHOTO-W but includes a built-in 135°F (57°C) fixed-temperature thermal device

SK-PHOTO-R-W: White, low-profile intelligent photoelectric sensor, remote test capable, for use with DNR/DNRW

B300-6: White, standard flanged low-profile mounting base

B300-6-BP: Bulk pack of B300-6, package contains 10

B300-6-IV: Ivory, standard flanged low-profile mounting base

B501-WHITE: White, standard European flangeless mounting base

B501-BL: Black, standard European flangeless mounting base

B501-IV: Ivory, standard European flangeless mounting base

B501-WHITE-BP: Bulk pack of B501-WHITE, contains 10

B200S-WH: White, Intelligent, programmable sounder base

B200S-IV: Ivory, Intelligent, programmable sounder base

B200SR-WH: White, Intelligent sounder base for retrofit applications

B200SR-IV: Ivory, Intelligent sounder base for retrofit applications

B200S-LF-WH: White, Low Frequency Intelligent, programmable sounder base

B200S-LF-IV: Ivory, Low Frequency Intelligent, programmable sounder base

B200SR-LF-WH: White, Low Frequency Intelligent sounder base for retrofit applications

B200SR-LF-IV: Ivory, Low Frequency Intelligent sounder base for retrofit applications

B224RB-WH: White, plug-in System Sensor® relay base

B224RB-IV: Ivory, plug-in System Sensor relay base

B224BI-WH: White, plug-in System Sensor isolator detector base

B224BI-IV: Ivory, plug-in System Sensor isolator detector base

ACCESSORIES

TR300: White, replacement flange for B210LP or B300-6 bases

TR300-IV: Ivory, replacement flange for B210LP or B300-6 bases

RA100Z(A): Remote 3 – 32 VDC LED annunciator, mounts to a U.S. single-gang electrical box, for use with B501 and B300-6 bases only

M02-04-00: Test magnet

M02-09-00: Test magnet with telescoping handle

CK300: White, detector color kit, pack of 10

CK300-IV: Ivory, detector color kit, pack of 10

CK300-BL: Black, detector color kit, pack of 10

SK-PHOTO-W SERIES TECHNICAL SPECIFICATIONS

PHYSICAL/ENVIRONMENTAL

Sensitivity:

- UL Applications: 0.5% to 4.0% per foot obscuration.
- ULC Applications: 0.5% to 3.5% per foot obscuration

Size: 2.0" (5.3 cm) high; base determines diameter

- **B300-6:** 6.1" (15.6 cm) diameter
- **B501:** 4" (10.2 cm) diameter

For a complete list of detector bases, see SK-61045.

Shipping weight: 3.4 oz. (95 g)

Operating temperature range:

- SK-PHOTO-W: 32°F to 122°F (0°C to 50°C)
- SK-PHOTO-T-W: 32°F to 100°F (0°C to 38°C)
- SK-PHOTO-R-W installed in a DNR/DNRW: -4°F to 158°F (-20°C to 70°C)

UL/ULC Listed Velocity Range: 0-4000 ft/min. (1219.2 m/min.), suitable for installation in ducts

Relative humidity: 10% – 93% non-condensing

Thermal ratings: fixed-temperature set point 135°F (57°C), rate-of-rise detection 15°F (8.3°C) per minute, high temperature heat 190°F (88°C)

ELECTRICAL SPECIFICATIONS

Voltage range: 15 - 32 volts DC peak

Standby current (max. avg.): 200µA @ 24 VDC (one communication every 5 seconds with LED enabled)

Max current: 4.5 mA @ 24 VDC ("ON")

DETECTOR SPACING AND APPLICATIONS

Silent Knight recommends spacing detectors in compliance with NFPA 72. In low airflow applications with smooth ceiling, space detectors 30 feet (9.1m). For specific information regarding detector spacing, placement, and special applications refer to NFPA 72. A *System Smoke Detector Application Guide*, document A05-1003, is available at www.systemsensor.com.

AGENCY LISTINGS AND APPROVALS

These listings and approvals apply to the modules specified in this document. In some cases, certain modules or applications may not be listed by certain approval agencies, or listing may be in process. *Consult factory for latest listing status.*

- **UL Listed:** S6173
- **FM Approved**
- **CSFM:** 7272-0559:0512

Silent Knight® and System Sensor® are registered trademarks of Honeywell International, Inc.

This document is not intended to be used for installation purposes. We try to keep our product information up-to-date and accurate. We cannot cover all specific applications or anticipate all requirements. All specifications are subject to change without notice.

Country of origin: Mexico

Honeywell Silent Knight

12 Clintonville Road
Northford, CT 06472-1610
203.484.7161
www.silentknight.com

351634 | B | 07/19
©2019 Honeywell International Inc.





L-Series and L-Series with LED Indoor Selectable Horns, Strobes and Horn Strobes

System Sensor L-Series and L-Series with LED audible visible notification products are rich with features guaranteed to cut installation times and maximize profits with lower current draw and modern aesthetics.



Features

- LED technology provides lower current draw
- Digital Voltage Meter (DVM) diagnostic test points for Horn Strobes and Strobes
- Common aesthetics across the L-Series platform
- Standard and compact sizes
- Tamper-resistant construction
- Field-selectable candela settings on wall units: 15, 30, 75, 95, 110, 135, and 185
- Field-selectable candela settings on ceiling units: 15, 30, 75, 95, 115, 150, and 177
- Rotary switches for candela, tone and volume selections
- Mounting plate provides plug-in design for easier installation and shorting springs to check wiring continuity
- Electrically compatible with legacy SpectrAlert, SpectrAlert Advance and L-series devices
- Synchronization through use of UL approved power supplies that support System Sensor Sync protocol or System Sensor MDL3 Sync Module
- Horns, Strobes and Horn Strobes listed for wall or ceiling use

The System Sensor L-Series and L-Series with LED platform

offers the most versatile and easy-to-use line of horns, strobes, and horn strobes in the industry with lower current draw and modern aesthetics. LED lighting technology offers significantly lower current draw compared to older Xenon bulbs across a full candela range. This improves design flexibility for notification appliance circuits (NACs) while also reducing power supply requirements allowing for simpler and lower cost installations.

Flexible design options meet virtually any application requirement: wall or ceiling mount, standard or compact sizes, red or white color choices, bezel kits for alternate markings and languages, and LED color lenses for distinctive visual signaling. In addition, installers can easily adapt devices using field selectable candela, tone and volume settings using rotary switches.

The L-Series and L-Series with LED line is developed to simplify installation. All devices feature plug-in designs with minimal intrusion into the back box, making installations fast and foolproof while virtually eliminating costly and time-consuming ground faults. The universal mounting plate includes an onboard shorting spring, so installers can test wiring continuity before the device is installed.

In addition, the System Sensor L-Series with LED notification appliances offer a new diagnostic test point feature that allows you to measure device voltage with a digital voltage meter (DVM) without removing the appliance from the wall or ceiling. The DVM test points are discreetly located on the face of the notification appliance which enable faster troubleshooting and end of line (EOL) voltage checks while greatly reducing the risk of misplacing or damaging appliances during troubleshooting.

Agency Listings



L-Series and L-Series with LED Specifications

Physical/Electrical Specifications	
Standard Operating Temperature	32°F to 120°F (0°C to 49°C)
Humidity Range	10 to 93% non-condensing
Strobe Flash Rate	1 flash per second
Nominal Voltage, LED Strobes and Horn Strobes	Regulated 24 VDC
Nominal Voltage, Horns	Regulated 12 VDC or regulated 24 DC/FWR
Operating Voltage Range, LED Strobes and Horn Strobes	16 to 33 V (24 V nominal)
Operating Voltage Range, Horns	8 to 17.5 V (12 V nominal) or 16 to 33 V (24 V nominal)
Input Terminal Wire Gauge	12 to 18 AWG

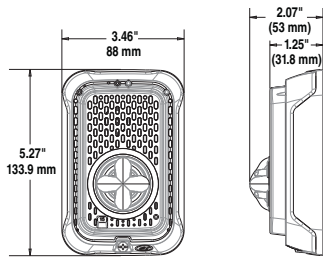
UL/ULC Current Draw Data, Horn Tones, and Sound Output Data

UL/ULC Maximum Strobe Current Draw (mA)			
Candela Range	Candela Rating	16–33 Volts	
		Wall	Ceiling
Candela Range	15	18	18
	30	22	22
	75	70	70
	95	75	75
	110	85	—
	115	—	90
	135	105	—
	150	—	110
	177	—	115
	185	120	—

UL/ULC Maximum Horn Current Draw (mA RMS)				
Sound Pattern	dB	8–17.5 Volts		
		DC	DC	FWR
Temporal	High	39	44	54
Temporal	Low	28	32	54
Non-Temporal	High	43	47	54
Non-Temporal	Low	29	32	54
3.1 KHz Temporal	High	39	41	54
3.1 KHz Temporal	Low	29	32	54
3.1 KHz Non-Temporal	High	42	43	54
3.1 KHz Non-Temporal	Low	28	29	54
Coded	High	43	47	54
3.1 KHz Coded	High	42	43	54

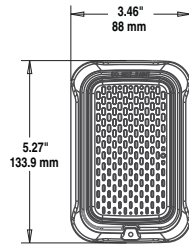
UL/ULC Maximum Horn Strobe Current Draw (mA) and Sound Output (dBA)														
Switch Pos.	Sound Pattern	Volume Setting	Current Draw (mA RMS), Horn Strobe, Candela Range (15-185 cd)										Sound Output (dBA)	
			16-33 Volts											16-33V DC
			15cd	30cd	75cd	95cd	110cd	115cd	135cd	150cd	177cd	185cd		
			WALL	CEILING	WALL	CEILING	WALL	CEILING	CEILING	WALL				
1	Temporal 3	High	35	38	87	92	94	120	189	189	190	190	87	
2	Temporal 3	Low	35	38	87	92	94	120	135	135	145	145	79	
3	Non-Temporal	High	50	52	87	92	94	120	127	127	135	135	87	
4	Non-Temporal	Low	35	38	87	92	94	120	125	125	130	130	79	
5	3.1KHz Temporal 3	High	35	38	87	89	91	115	155	155	165	165	86	
6	3.1KHz Temporal 3	Low	35	38	87	89	91	115	128	130	135	135	80	
7	3.1KHz Non-Temporal	High	40	42	87	89	91	115	125	125	135	135	86	
8	3.1KHz Non-Temporal	Low	35	38	87	89	91	115	120	120	130	130	80	

L-Series with LED Dimensions: Wall-Mounted Equipment



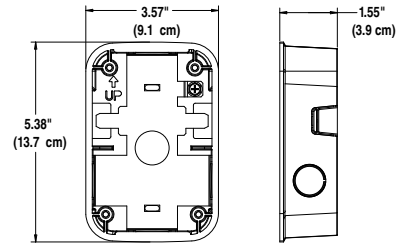
A0617-00

**Compact Strobe, Horn Strobe
for Wall**



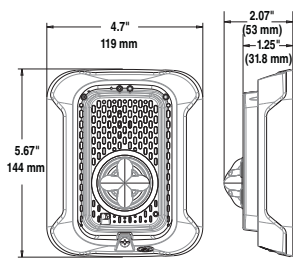
A0547-00

Compact Horn



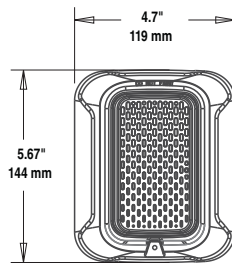
A0557-00

**Compact Surface Mount Back Box
for Walls (SBBGRL, SBBGWL)**



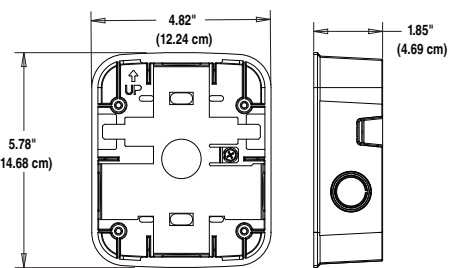
A0613-00

**Strobes, Horn Strobes
for Walls**



A0549-00

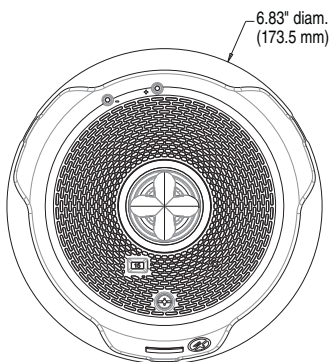
Horn



A0554-01

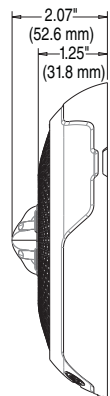
**Surface Mount Back Box
for Walls (SBBRL/SBBWL)**

L-Series with LED Dimensions: Ceiling-Mounted Equipment

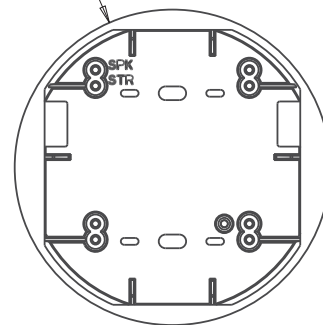


A0608-00

**Strobes and Horn Strobes
for Ceilings**

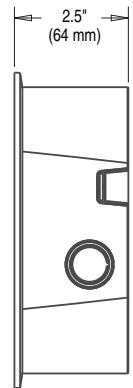


6.92" diam.
(175.77 mm)



A0546-00

**Surface Mount Back Box
for Ceilings (SBBCRL, SBCWL)**



L-Series with LED: Ordering Information

Model	Description
L-Series with LED Horn Strobes	
P2RLED	2-Wire, Horn Strobe, Wall, Red
P2RLED-B	2-Wire, Horn Strobe, Wall, Red, Bilingual
P2WLED	2-Wire, Horn Strobe, Wall, White
P2WLED-B	2-Wire, Horn Strobe, Wall, White, Bilingual
P2GRLED	2-Wire, Compact Horn Strobe, Wall, Red
P2GRLED-B	2-Wire, Compact Horn Strobe, Wall, Red, Bilingual
P2GWLED	2-Wire, Compact Horn Strobe, Wall, White
P2GWLED-B	2-Wire, Compact Horn Strobe, Wall, White, Bilingual
P2RLED-P	2-Wire, Horn Strobe, Wall, Red, Plain
P2WLED-P	2-Wire, Horn Strobe, Wall, White, Plain
P2RLED-SP	2-Wire, Horn Strobe, Wall, Red, FUEGO
P2WLED-SP	2-Wire, Horn Strobe, Wall, White, FUEGO
PC2RLED	2-Wire, Horn Strobe, Ceiling, Red
PC2RLED-B	2-Wire, Horn Strobe, Ceiling, Red, Bilingual
PC2WLED	2-Wire, Horn Strobe, Ceiling, White
PC2WLED-B	2-Wire, Horn Strobe, Ceiling, White, Bilingual
L-Series with LED Strobes	
SRLED	Strobe, Wall, Red
SRLED-B	Strobe, Wall, Red, Bilingual
SWLED	Strobe, Wall, White
SWLED-B	Strobe, Wall, White, Bilingual
SGRLED	Strobe, Compact, Wall, Red
SGRLED-B	Strobe, Compact, Wall, Red, Bilingual
SGWLED	Strobe, Compact, Wall, White
SGWLED-B	Strobe, Compact, Wall, White, Bilingual
SRLED-P	Strobe, Wall, Red, Plain
SWLED-P	Strobe, Wall, White, Plain
SRLED-SP	Strobe, Wall, Red, FUEGO
SWLED-CLR-ALERT	Strobe, Wall, White, ALERT
SWLED-ALERT	Strobe, Wall, White, ALERT, Amber Lens
SCRLED	Strobe, Ceiling, Red
SCRLED-B	Strobe, Ceiling, Red, Bilingual
SCRLED-P	Strobe, Ceiling, White, Plain
SCWLED	Strobe, Ceiling, White
SCWLED-B	Strobe, Ceiling, White, Bilingual
SCWLED-P	Strobe, Ceiling, White, Plain
SCWLED-CLR-ALERT	Strobe, Ceiling, White, ALERT
L-Series Horns	
HRL*	Horn, Red
HRLA*	Horn, Red, Plain, ULC
HWL*	Horn, White
HWLA*	Horn, White, Plain, ULC
HGRLE*	Compact Horn, Red
HGRLEA*	Compact Horn, Red, Plain, ULC
HGWLE*	Compact Horn, White
HGWLEA*	Compact Horn, White, Plain, ULC

Model	Description
LED Lenses	
LENS-A3	Lens LED Amber Wall/Ceiling
LENS-B3	Lens LED Blue Wall/Ceiling
LENS-G3	Lens LED Green Wall/Ceiling
LENS-R3	Lens LED Red Wall/Ceiling
Accessories	
TR-2	Universal Wall Trim Ring Red
TR-2W	Universal Wall Trim Ring White
SBBRL	Wall Surface Mount Back Box, Red
SBBWL	Wall Surface Mount Back Box, White
SBBGRL	Compact Wall Surface Mount Back Box, Red
SBBGWL	Compact Wall Surface Mount Back Box, White
TRC-2	Universal Ceiling Trim Ring, Red
TRC-2W	Universal Ceiling Trim Ring, White
SBBCRL	Ceiling Surface Mount Back Box, Red
SBBCWL	Ceiling Surface Mount Back Box, White
Bezels†	
BZR	Wall Red Bezel Kit
BZW	Wall White Bezel Kit
BZGR	Compact Wall Red Bezel Kit
BZGW	Compact Wall White Bezel Kit
BZRC	Horn Strobe Ceiling Red Bezel Kit
BZWC	Horn Strobe Ceiling White Bezel Kit

Notes for L-Series With LED Horn Strobes and Strobes:

All -P models have a plain housing (no "FIRE" marking on cover).
 All -SP models have "FUEGO" marking on cover.
 All -ALERT models have "ALERT" marking on cover.
 All -B models have "FIRE/FEU" marking on cover for use in Canadian applications.
 Amber lenses are not for use in Canadian applications

Notes for L-Series Horns:

*Horn-only models are listed for wall or ceiling use.

Notes for Bezels:

†Each bezel pack ships in a package of 5.
 Add one of the following extensions for print/language options: -F (FIRE), -AL (ALERT), -EV (EVAC), -AG (AGENT), -P (Plain), -FR (FEU), -PG (FOGO), -SP (FUEGO), -SPE (FUEGO/FIRE).

3825 Ohio Avenue • St. Charles, IL 60174 USA
 Phone: 800-SENSOR2 • Fax: 630-377-6495
www.systemsensor.com

3333 Unity Drive, Mississauga, ON L5L 3S6 Canada
 Phone: 800-SENSOR2 • Fax: 905-812-0771
www.systemsensor.ca

System Sensor® is a registered trademark
 of Honeywell International, Inc.



©2023 System Sensor.
 Product specifications subject to change without notice. Visit www.systemsensor.com
 for current product information, including the latest version of this data sheet.
 AVDS916-01 • 10/03/2023