



L-Series Speakers and L-Series with LED Speaker Strobes

System Sensor L-Series and L-Series with LED audible visible notification products are rich with features guaranteed to cut installation times and maximize profits with lower current draw and modern aesthetics.

Features

- LED technology provides lower current draw
- Digital Volt Meter (DVM) diagnostic test points for Speaker Strobes
- Common aesthetics across the L-Series platform
- Tamper-resistant construction
- Field-selectable candela settings on wall units: 15, 30, 75, 95, 110, 135, and 185
- Field-selectable candela settings on ceiling units: 15, 30, 75, 95, 115, 150, and 177
- Rotary switches for candela, speaker voltage (25 and 70.7 Vrms) and power settings (1/4, 1/2, 1, and 2 watts)
- Mounting plate provides plug-in design for easier installation and shorting springs to check wiring continuity
- Electrically compatible with legacy SpectrAlert, SpectrAlert Advance and L-series devices at 16-33 VDC
- Synchronization through use of UL approved power supplies that support System Sensor Sync protocol or System Sensor MDL Sync Module
- Speakers and Speaker strobes listed for wall or ceiling use
- No extension ring required
- Speakers offer high fidelity and high volume sound output
- 520 Hz capable with compatible Fire alarm control panel (FACP)



The System Sensor L-Series and L-Series with LED platform

offers the most versatile and easy-to-use line of speakers and speaker strobes in the industry with lower current draw and modern aesthetics. LED lighting technology offers significantly lower current draw compared to older Xenon bulbs across a full candela range. This improves design flexibility for notification appliance circuits (NACs) while also reducing power supply requirements allowing for simpler and lower cost installations.

Flexible design options meet virtually any application requirement: wall or ceiling mount, red or white color choices, bezel kits for alternate markings and languages, and LED color lenses for distinctive visual signaling. In addition, installers can easily adapt devices using field selectable candela, using rotary switches.

The L-Series and L-Series with LED line is developed to simplify installation. All devices feature plug-in designs with minimal intrusion into the back box, making installations fast and foolproof while virtually eliminating costly and time-consuming ground faults. The universal mounting plate includes an onboard shorting spring, so installers can test wiring continuity before the device is installed.

The low harmonic distortion of the speaker offers high fidelity sound output while offering high volume sound output for use in high ambient noise applications.

In addition, the System Sensor L-Series with LED notification appliances offer a new diagnostic test point feature that allows you to measure device voltage with a digital voltage meter (DVM) without removing the appliance from the wall or ceiling. The DVM test points are discreetly located on the face of the notification appliance which enable faster troubleshooting and end of line (EOL) voltage checks while greatly reducing the risk of misplacing or damaging appliances during troubleshooting.

Agency Listings



7125-1653 0232
7135-1653 0532
7370-1653 0502

Product Specifications

Physical / Electrical Specifications	
Standard Operating Temperature	32°F to 120°F (0°C to 49°C)
Humidity Range	10 to 93% non-condensing
Power	¼, ½, 1, 2 Watts
Frequency Range	400 to 4000 Hz
Maximum Supervisory Voltage (Speakers)	50 VDC
Maximum Supervisory Voltage (Strobe)	33 VDC
Strobe Flash Rate	1 Flash Per Second
Nominal Voltages, Speakers	25 Volts or 70.7 Volts (nominal)
Nominal Voltage, Strobe	Regulated 24 VDC
Operating Voltage Range, Strobe	16 to 33 VDC
Input Terminal Wire Gauge	12 to 18 AWG

Dimensions	
Wall Speaker Strobes (including lens)	6.5"L x 5.00" W x 2.3" D (165.1mm L x 127mm W x 58.4mm D)
Wall Speaker Strobes (including lens) with SBBSPRL/WL Surface Mount Back Box	6.62" L x 5.12" W x 4.55" D (168.1mm L x 130mm W x 115.5mm D)
Ceiling Speaker Strobes (including lens)	6.8" diameter x 2.33" D (172.7mm x 59.2mm)
Ceiling Speaker Strobes (including lens) with SBBCRL/WL Surface Mount Back Box	6.9" diameter x 4.83" D (176mm x 122.7mm)
Wall SPL Speakers	6.5"L x 5.00" W x 0.97" D (165.1mm L x 127mm W x 23mm D)
Wall Speakers with SBBSPRL/WL Surface Mount Back Box	6.62" L x 5.12" W x 3.2" W (168.1mm x 130mm x 81.2mm)
Ceiling SPC Speakers	6.8" diameter x 1.0" D (173mm x 25mm)
Ceiling Speakers with SBBCRL/WL Surface Mount Back Box	6.9" diameter x 3.5" D (176mm x 89mm)

NOTE: SBBSPRL/WL Surface Mount Back Box intended for speaker strobes and speakers.

Minimum Speaker Strobe Sound Output				
	¼ W	½ W	1 W	2 W
UL Reverberant (dBA @10 ft)	76	79	82	83
UL Anechoic (dBA @10 ft)	76	79	82	83

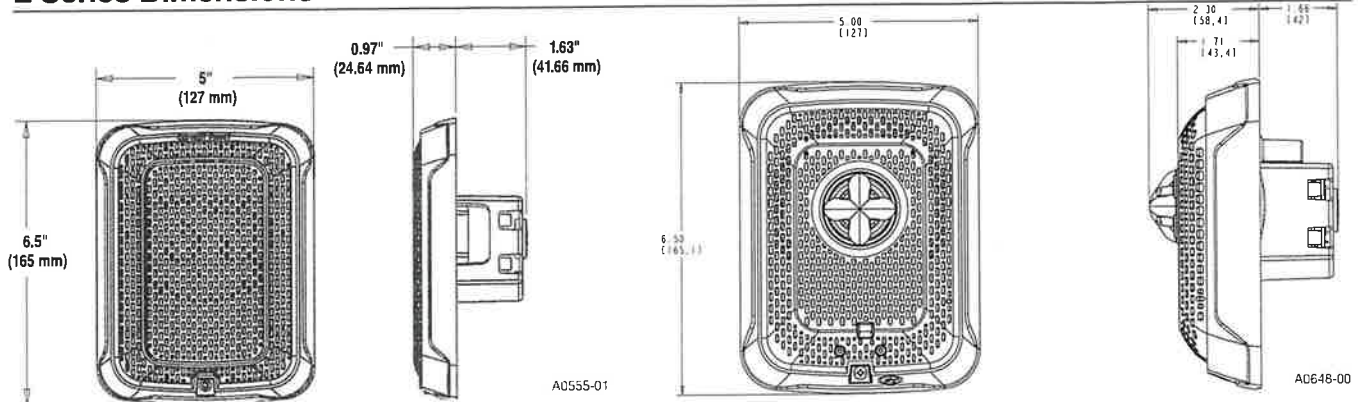
Minimum Speaker Only Sound Output				
	¼ W	½ W	1 W	2 W
UL Reverberant (dBA @10 ft)	79	82	85	88
UL Anechoic (dBA @10 ft)	79	82	85	88

UL / ULC Maximum Strobe Current Draw (mA)

UL/ULC Max Strobe Current Draw (mA RMS)	
Candela Rating	16 to 33 Volts DC
15	18
30	22
75	70
95	75
110	85
115	90
135	105
150	110
177	115
185	120
FCP*	(future)

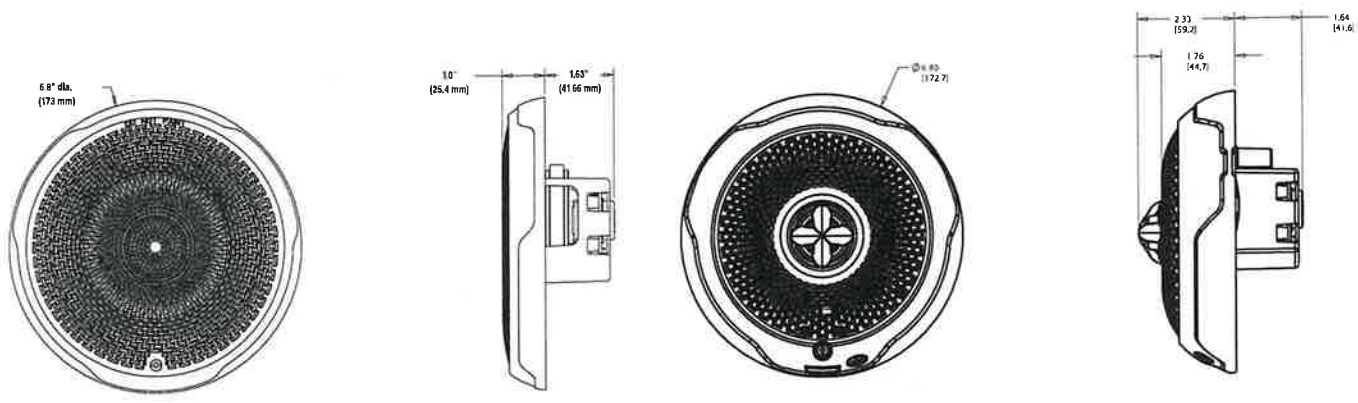
*FCP Fire Control Panel, future use

L-Series Dimensions



Wall-Mount Speaker

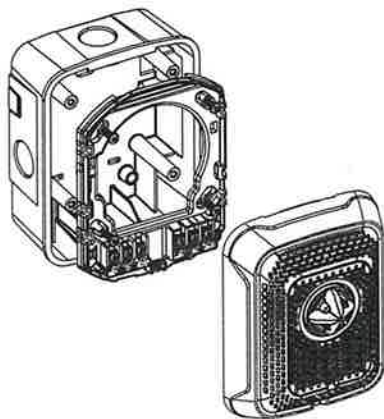
Wall-Mount Speaker Strobe



Ceiling-Mount Speaker

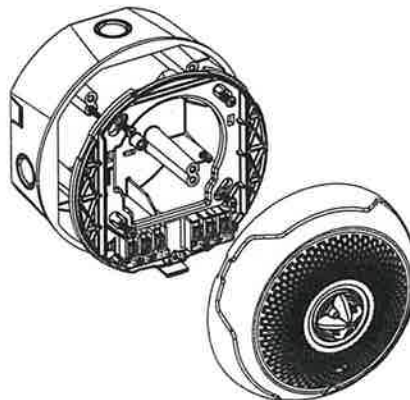
Ceiling-Mount Speaker Strobe

L-Series with LED: Surface Mount Back Box



A0649-00

Wall-Mount Speaker Strobe with SBBSPSRL/SBBSPWL Surface Mount Back Box



A0650-00

Ceiling-Mount Speaker Strobe with SBCRL/SBCWL Surface Mount Back Box

L-Series with LED: Ordering Information

Model	Description
L-Series with LED Speaker Strobes	
SPSCRLED	2-WIRE, SPEAKER STROBE LED RED CEILING
SPSCRLED-B	2-WIRE, SPEAKER STROBE LED RED CEILING BILINGUAL
SPSCRLED-BT	2-WIRE, SPEAKER STROBE LED RED CEILING BILINGUAL WITH TRIM
SPSCWLED	2-WIRE, SPEAKER STROBE LED WHITE CEILING
SPSCWLED-B	2-WIRE, SPEAKER STROBE LED WHITE CEILING BILINGUAL
SPSCWLED-BT	2-WIRE, SPEAKER STROBE LED WHITE CEILING BILINGUAL WITH TRIM
SPSCWLED-T	2-WIRE, SPEAKER STROBE LED WHITE CEILING WITH TRIM
SPSCWLED-TP	2-WIRE, SPEAKER STROBE LED WHITE CEILING PLAIN WITH TRIM
SPSCWLED-CLR-ALERT	2-WIRE, SPEAKER STROBE LED WHITE CEILING ALERT CLEAR LENS
SPSCWLED-P	2-WIRE, SPEAKER STROBE LED WHITE CEILING PLAIN
SPSCWLED-SP	2-WIRE, SPEAKER STROBE LED WHITE CEILING FUEGO
SPSRLED	2-WIRE, SPEAKER STROBE LED RED WALL
SPSRLED-B	2-WIRE, SPEAKER STROBE LED RED WALL BILINGUAL
SPSRLED-P	2-WIRE, SPEAKER STROBE LED RED WALL PLAIN
SPSRLED-SP	2-WIRE, SPEAKER STROBE LED RED WALL FUEGO
SPSWLED	2-WIRE, SPEAKER STROBE LED WHITE WALL
SPSWLED-B	2-WIRE, SPEAKER STROBE LED WHITE WALL BILINGUAL
SPSWLED-ALERT	2-WIRE, SPEAKER STROBE LED WHITE WALL ALERT AMBER LENS
SPSWLED-CLR-ALERT	2-WIRE, SPEAKER STROBE LED WHITE WALL ALERT CLEAR LENS
SPSWLED-P	2-WIRE, SPEAKER STROBE LED WHITE WALL PLAIN
L-Series Speaker	
SPCRL	2-WIRE, SPEAKER RED CEILING
SPCWL	2-WIRE, SPEAKER WHITE CEILING
SPRL	2-WIRE, SPEAKER RED WALL
SPWL	2-WIRE, SPEAKER WHITE WALL
Accessories	
SBBSPRL	BACK BOX, WALL, SPEAKER, RED
SBBSPWL	BACK BOX, WALL, SPEAKER, WHITE
SBBCRL	BACK BOX, CEILING, SPEAKER, RED
SBBCWL	BACK BOX, CEILING, SPEAKER, WHITE
TR-2	TRIM RING, WALL, RED
TR-2W	TRIM RING, WALL, WHITE
TRC-2	TRIM RING, CEILING, RED
TRC-2W	TRIM RING, CEILING, WHITE
LED Lenses	
LENS-A3	Lens LED Amber Wall/Ceiling
LENS-B3	Lens LED Blue Wall/Ceiling
LENS-G3	Lens LED Green Wall/Ceiling
LENS-R3	Lens LED Red Wall/Ceiling
Bezels	
BZSPR	WALL RED BEZEL KIT
BZSPW	WALL WHITE BEZEL KIT
BZSPRC	CEILING RED BEZEL KIT
BZSPWC	CEILING WHITE BEZEL KIT

Notes for Bezels:

†Each bezel pack ships in a package of 5.

Add one of the following extensions for print/language options: -F (FIRE), -AL (ALERT), -EV (EVAC), -AG (AGENT), -P (Plain), -FR (FEU), -PG (FOGO), -SP (FUEGO), -SPE (FUEGO/FIRE)

Bezels for use only with Speaker Strobes

3825 Ohio Avenue • St. Charles, IL 60174 USA
 Phone: 800-SENSOR2 • Fax: 630-377-6495
www.systemsensor.com

System Sensor® is a registered trademark
 of Honeywell International, Inc.



3333 Unity Drive, Mississauga, ON L5L 3S6 Canada
 Phone: 800-SENSOR2 • Fax: 905-812-0771
www.systemsensor.ca

©2024 System Sensor.
 Product specifications subject to change without notice. Visit www.systemsensor.com
 for current product information, including the latest version of this data sheet.
 AVDS-62174 A • 09/29/2024



L-Series and L-Series with LED Indoor Selectable Horns, Strobes and Horn Strobes

System Sensor L-Series and L-Series with LED audible visible notification products are rich with features guaranteed to cut installation times and maximize profits with lower current draw and modern aesthetics.



Features

- LED technology provides lower current draw
- Digital Voltage Meter (DVM) diagnostic test points for Horn Strobes and Strobes
- Common aesthetics across the L-Series platform
- Standard and compact sizes
- Tamper-resistant construction
- Field-selectable candela settings on wall units: 15, 30, 75, 95, 110, 135, and 185
- Field-selectable candela settings on ceiling units: 15, 30, 75, 95, 115, 150, and 177
- Rotary switches for candela, tone and volume selections
- Mounting plate provides plug-in design for easier installation and shorting springs to check wiring continuity
- Electrically compatible with legacy SpectrAlert, SpectrAlert Advance and L-series devices
- Synchronization through use of UL approved power supplies that support System Sensor Sync protocol or System Sensor MDL3 Sync Module
- Horns, Strobes and Horn Strobes listed for wall or ceiling use

Agency Listings



The System Sensor L-Series and L-Series with LED

platform offers the most versatile and easy-to-use line of horns, strobes, and horn strobes in the industry with lower current draw and modern aesthetics. LED lighting technology offers significantly lower current draw compared to older Xenon bulbs across a full candela range. This improves design flexibility for notification appliance circuits (NACs) while also reducing power supply requirements allowing for simpler and lower cost installations.

Flexible design options meet virtually any application requirement: wall or ceiling mount, standard or compact sizes, red or white color choices, bezel kits for alternate markings and languages, and LED color lenses for distinctive visual signaling. In addition, installers can easily adapt devices using field selectable candela, tone and volume settings using rotary switches.

The L-Series and L-Series with LED line is developed to simplify installation. All devices feature plug-in designs with minimal intrusion into the back box, making installations fast and foolproof while virtually eliminating costly and time-consuming ground faults. The universal mounting plate includes an onboard shorting spring, so installers can test wiring continuity before the device is installed.

In addition, the System Sensor L-Series with LED notification appliances offer a new diagnostic test point feature that allows you to measure device voltage with a digital voltage meter (DVM) without removing the appliance from the wall or ceiling. The DVM test points are discreetly located on the face of the notification appliance which enable faster troubleshooting and end of line (EOL) voltage checks while greatly reducing the risk of misplacing or damaging appliances during troubleshooting.

L-Series and L-Series with LED Specifications

Physical/Electrical Specifications	
Standard Operating Temperature	32°F to 120°F (0°C to 49°C)
Humidity Range	10 to 93% non-condensing
Strobe Flash Rate	1 flash per second
Nominal Voltage, LED Strobes and Horn Strobes	Regulated 24 VDC
Nominal Voltage, Horns	Regulated 12 VDC or regulated 24 DC/FWR
Operating Voltage Range, LED Strobes and Horn Strobes	16 to 33 V (24 V nominal)
Operating Voltage Range, Horns	8 to 17.5 V (12 V nominal) or 16 to 33 V (24 V nominal)
Input Terminal Wire Gauge	12 to 18 AWG

UL/ULC Current Draw Data, Horn Tones, and Sound Output Data

UL/ULC Maximum Strobe Current Draw (mA)

Candela Range	Candela Rating	16-33 Volts	
		Wall	Ceiling
	15	18	18
	30	22	22
	75	70	70
	95	75	75
	110	85	—
	115	—	90
	135	105	—
	150	—	110
	177	—	115
	185	120	—

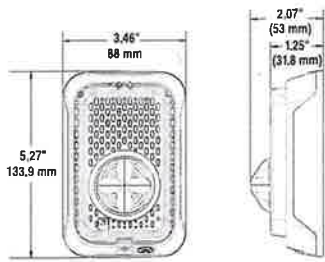
UL/ULC Maximum Horn Current Draw (mA RMS)

Sound Pattern	dB	8-17.5 Volts			16-33 Volts	
		DC	DC	FWR	DC	FWR
Temporal	High	39	44	54		
Temporal	Low	28	32	54		
Non-Temporal	High	43	47	54		
Non-Temporal	Low	29	32	54		
3.1 KHz Temporal	High	39	41	54		
3.1 KHz Temporal	Low	29	32	54		
3.1 KHz Non-Temporal	High	42	43	54		
3.1 KHz Non-Temporal	Low	28	29	54		
Coded	High	43	47	54		
3.1 KHz Coded	High	42	43	54		

UL/ULC Maximum Horn Strobe Current Draw (mA) and Sound Output (dBA)

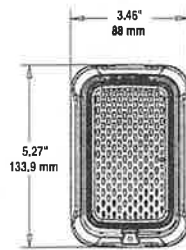
		Current Draw (mA RMS), Horn Strobe, Candela Range (15-185 cd)											Sound Output (dBA)
		16-33 Volts											16-33V
Switch Pos.	Sound Pattern	Volume Setting	15cd	30cd	75cd	95cd	110cd	115cd	135cd	150cd	177cd	185cd	DC
			WALL	CEILING	WALL	CEILING	WALL	CEILING	WALL	CEILING	CEILING	WALL	
1	Temporal 3	High	35	38	87	92	94	120	189	189	190	190	87
2	Temporal 3	Low	35	38	87	92	94	120	135	135	145	145	79
3	Non-Temporal	High	50	52	87	92	94	120	127	127	135	135	87
4	Non-Temporal	Low	35	38	87	92	94	120	125	125	130	130	79
5	3.1KHz Temporal 3	High	35	38	87	89	91	115	155	155	165	165	86
6	3.1KHz Temporal 3	Low	35	38	87	89	91	115	128	130	135	135	80
7	3.1KHz Non-Temporal	High	40	42	87	89	91	115	125	125	135	135	86
8	3.1KHz Non-Temporal	Low	35	38	87	89	91	115	120	120	130	130	80

L-Series with LED Dimensions: Wall-Mounted Equipment



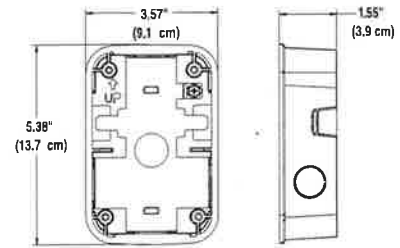
A0617-00

**Compact Strobe, Horn Strobe
for Wall**



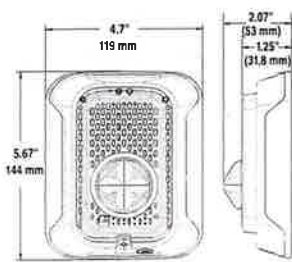
A0547-00

Compact Horn



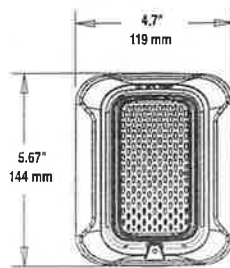
A0557-00

**Compact Surface Mount Back Box
for Walls (SBBGRL, SBBGWL)**



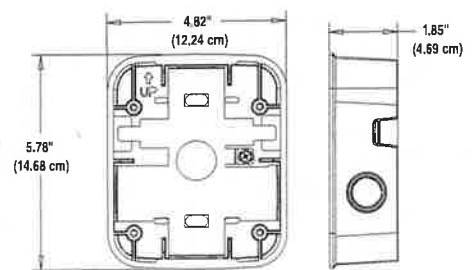
A0613-00

**Strobes, Horn Strobes
for Walls**



A0549-00

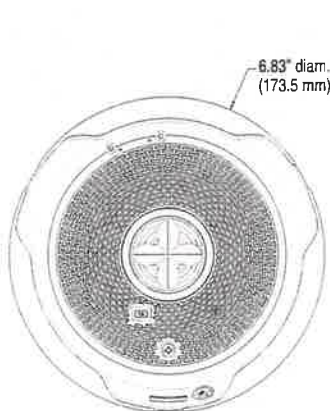
Horn



A0554-00

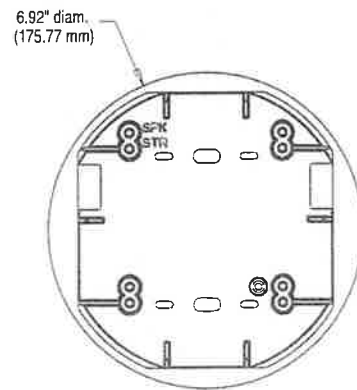
**Surface Mount Back Box
for Walls (SBBRL/SBBWL)**

L-Series with LED Dimensions: Ceiling-Mounted Equipment



A0508-00

**Strobes and Horn Strobes
for Ceilings**



A0546-00

**Surface Mount Back Box
for Ceilings (SBBCL, SBCWL)**

L-Series with LED: Ordering Information

Model	Description
L-Series with LED Horn Strobes	
P2RLED	2-Wire, Horn Strobe, Wall, Red
P2RLED-B	2-Wire, Horn Strobe, Wall, Red, Bilingual
P2WLED	2-Wire, Horn Strobe, Wall, White
P2WLED-B	2-Wire, Horn Strobe, Wall, White, Bilingual
P2GRLED	2-Wire, Compact Horn Strobe, Wall, Red
P2GRLED-B	2-Wire, Compact Horn Strobe, Wall, Red, Bilingual
P2GWLED	2-Wire, Compact Horn Strobe, Wall, White
P2GWLED-B	2-Wire, Compact Horn Strobe, Wall, White, Bilingual
P2RLED-P	2-Wire, Horn Strobe, Wall, Red, Plain
P2WLED-P	2-Wire, Horn Strobe, Wall, White, Plain
P2RLED-SP	2-Wire, Horn Strobe, Wall, Red, FUEGO
P2WLED-SP	2-Wire, Horn Strobe, Wall, White, FUEGO
PC2RLED	2-Wire, Horn Strobe, Ceiling, Red
PC2RLED-B	2-Wire, Horn Strobe, Ceiling, Red, Bilingual
PC2WLED	2-Wire, Horn Strobe, Ceiling, White
PC2WLED-B	2-Wire, Horn Strobe, Ceiling, White, Bilingual
L-Series with LED Strobes	
SRLED	Strobe, Wall, Red
SRLED-B	Strobe, Wall, Red, Bilingual
SWLED	Strobe, Wall, White
SWLED-B	Strobe, Wall, White, Bilingual
SGRLED	Strobe, Compact, Wall, Red
SGRLED-B	Strobe, Compact, Wall, Red, Bilingual
SGWLED	Strobe, Compact, Wall, White
SGWLED-B	Strobe, Compact, Wall, White, Bilingual
SRLED-P	Strobe, Wall, Red, Plain
SWLED-P	Strobe, Wall, White, Plain
SRLED-SP	Strobe, Wall, Red, FUEGO
SWLED-CLR-ALERT	Strobe, Wall, White, ALERT
SWLED-ALERT	Strobe, Wall, White, ALERT, Amber Lens
SCRLED	Strobe, Ceiling, Red
SCRLED-B	Strobe, Ceiling, Red, Bilingual
SCRLED-P	Strobe, Ceiling, White, Plain
SCWLED	Strobe, Ceiling, White
SCWLED-B	Strobe, Ceiling, White, Bilingual
SCWLED-P	Strobe, Ceiling, White, Plain
SCWLED-CLR-ALERT	Strobe, Ceiling, White, ALERT
L-Series Horns	
HRL*	Horn, Red
HRLA*	Horn, Red, Plain, ULC
HWL*	Horn, White
HWLA*	Horn, White, Plain, ULC
HGR*	Compact Horn, Red
HGRLA*	Compact Horn, Red, Plain, ULC
HGW*	Compact Horn, White
HGWLA*	Compact Horn, White, Plain, ULC

Model	Description
LED Lenses	
LENS-A3	Lens LED Amber Wall/Ceiling
LENS-B3	Lens LED Blue Wall/Ceiling
LENS-G3	Lens LED Green Wall/Ceiling
LENS-R3	Lens LED Red Wall/Ceiling
Accessories	
TR-2	Universal Wall Trim Ring Red
TR-2W	Universal Wall Trim Ring White
SBBRL	Wall Surface Mount Back Box, Red
SBBWL	Wall Surface Mount Back Box, White
SBBGRL	Compact Wall Surface Mount Back Box, Red
SBBGWL	Compact Wall Surface Mount Back Box, White
TRC-2	Universal Ceiling Trim Ring, Red
TRC-2W	Universal Ceiling Trim Ring, White
SBBCRL	Ceiling Surface Mount Back Box, Red
SBBCWL	Ceiling Surface Mount Back Box, White
Bezels†	
BZR	Wall Red Bezel Kit
BZW	Wall White Bezel Kit
BZGR	Compact Wall Red Bezel Kit
BZGW	Compact Wall White Bezel Kit
BZRC	Horn Strobe Ceiling Red Bezel Kit
BZWC	Horn Strobe Ceiling White Bezel Kit

Notes for L-Series With LED Horn Strobes and Strobes:

All -P models have a plain housing (no "FIRE" marking on cover).
 All -SP models have "FUEGO" marking on cover.
 All -ALERT models have "ALERT" marking on cover.
 All -B models have "FIRE/FEU" marking on cover for use in Canadian applications.
 Amber lenses are not for use in Canadian applications.

Notes for L-Series Horns:

*Horn-only models are listed for wall or ceiling use.

Notes for Bezels:

†Each bezel pack ships in a package of 5.
 Add one of the following extensions for print/language options: -F (FIRE), -AL (ALERT), -EV (EVAC), -AG (AGENT), -P (Plain), -FR (FEU), -PG (FOGO), -SP (FUEGO), -SPE (FUEGO/FIRE).

3825 Ohio Avenue • St. Charles, IL 60174 USA
 Phone: 800-SENSOR2 • Fax: 630-377-6495
www.systemsensor.com

3333 Unity Drive, Mississauga, ON L5L 3S6 Canada
 Phone: 800-SENSOR2 • Fax: 905-812-0771
www.systemsensor.ca

System Sensor® is a registered trademark of Honeywell International, Inc.



©2023 System Sensor
 Product specifications subject to change without notice. Visit www.systemsensor.com for current product information, including the latest version of this data sheet.
 AV05916-01 • 10/03/2023