



Russell

City of Puyallup Development & Permitting Services ISSUED PERMIT	
Building	Planning
Engineering	Public Works
Fire	Traffic

PRMH20251506

Date: Nov 6, 2025

Job: RJ1106251330 // 25-IB-19375

Customer: Imperial Brown

Customer Details: Larry Wood

General Contractor: -

Submitted By: Rick Jones



A16, A17 - CDU-1 - Product Information

General Data

Model Line: NEXT-GEN II	Model Number: RFOS008L4AEA	Flooded: Yes
Refrigerant: R-454A	Voltage: 208-230/3/60	Compressor Type: SCROLL

Performance Data

Ambient Temp: 95 °F	Suction Temp: -22 °F	Capacity: 24,046 BTUH
----------------------------	-----------------------------	------------------------------

Electrical Data

Compressor RLA: 23.3	Compressor LRA: 223	Total Condenser Fan FLA: 5.2
MCA: 47.3	MOPD: 70	

Physical Data

Number of Compressors: 1	Compressor Model: YF19KAE	Compressor HP: 08
Number of Condenser Fans: 1	Approx. Ship Weight: 850 lbs	Sound Data: 0 dBA
Liquid Line: 1/2 in.	Suction Line: 1 5/8 in.	
Pump Down Capacity (%): 90	Pump Down Capacity: 17.9 lbs	

Option Data

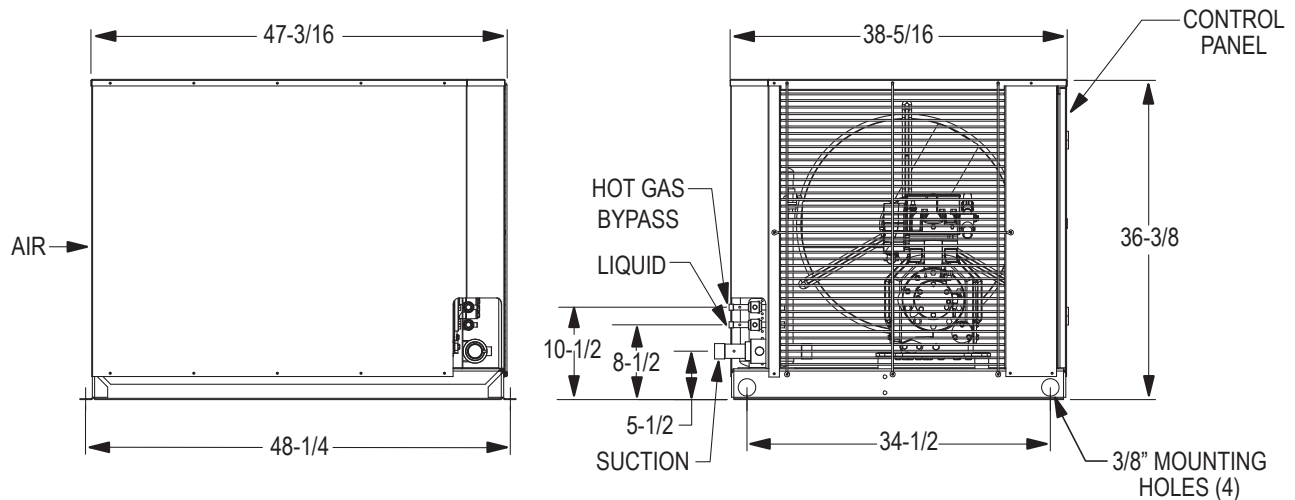
Mounted Option	DEFROST KIT: DMB35
Mounted Option	LIQUID LINE WITH COMPONENTS: SEALED FILTER & SIGHT GLASS
Mounted Option	STANDARD RECEIVER
Mounted Option	LIQUID INJECTION

Compliance Data

AWEF: **3.15**

Notes

Dimensional Drawing



Standard Features

- All-weather Galvanized steel painted housing
- Generously sized high efficiency condenser, enhanced copper tubes/aluminum fins
- Integral Liquid Subcooling Circuit provides subcooled liquid to the expansion device
- Crankcase heater
- Heavy duty three phase condenser fan motor(s)
- Dual pressure (auto reset) control with Reflex® flexible control lines
- Large electrical panel with hinged/removable door
- Removable top and side panels for ease of service
- Open view, flow-through equipment guard
- Color coded point-to-point wiring
- Quick access to shut off valves from exterior
- Flooded models include flooded head pressure control
- Non Flooded models include fan cycling
- UL/cUL certified for use with multiple refrigerants
- UL/cUL listed for outdoor use

Certifications



A16, A17 - UC-1 - Product Information

General Data

Model Line: NEXT-GEN ALL-TEMP	Model Number: RAL6E148DDA	Motors: DUAL SPEED EC MOTOR
Unit Voltage: 208-230/1/60	Defrost Type: ELECTRIC DEFROST	Refrigerant: R-454A
Fins Per Inch: 6	Number of Fans: 3	

Performance Data

Suction Temp: -20 °F	T.D: 8.8 °F	Capacity: 12,952.1 BTUH	CFM: 2355
-----------------------------	--------------------	--------------------------------	------------------

Electrical Data

Motor Voltage: 208-230/1/60	Total Unit Fan Motor Amps: 1.5	
Heater Voltage: 208-230/1/60	Heater Amps: 14.3	Heater Watts: 3300
MCA: 19.9	MOPD: 20	

Physical Data

Liquid Line: 3/8 in.	Suction Line: 1 1/8 in.	Approx. Ship Weight: 78 lbs
-----------------------------	--------------------------------	------------------------------------

Option Data

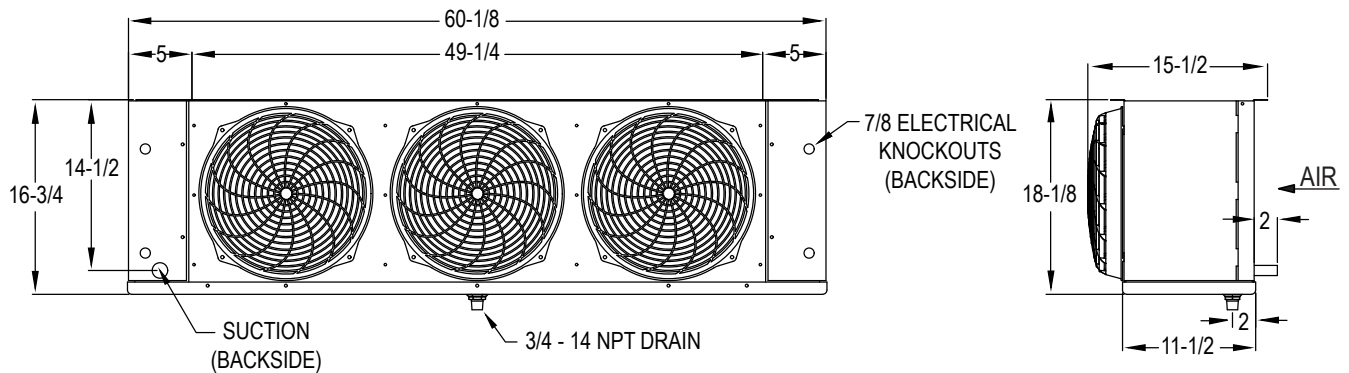
Mounted Option	EcoNet Control Package
Mounted Option	A2L Leak Detector
Loose Option	SSOV Isolation Valve - Shipped-Loose
Loose Option	Check Valve - Shipped-Loose

Compliance Data

AWEF: **4.12**

Notes

Dimensional Drawing



Standard Features

- Embossed aluminum housing
- Enhanced copper tube and aluminum fin coil construction
- Sweat connections
- Thermal overload protection
- High efficiency fan guard design and deep draw venturi
- Heavy-duty fans are balanced for vibration-free operation
- Fan sections are baffled to prevent short cycling of air
- Slide out end panels
- Removable drain pan
- Mounts flush to the ceiling
- Top pan includes 1/2" wide slotted mounting points
- UL/cUL certified for use with multiple refrigerants
- NSF approved for use in food preparation areas

Certifications



A19, A20 - CDU-2 - Product Information

General Data

Model Line: NEXT-GEN MINI-CON	Model Number: RFON200E4AEA	Flooded: Yes
Refrigerant: R-454A	Voltage: 208-230/3/60	Compressor Type: SCROLL

Performance Data

Ambient Temp: 95 °F	Suction Temp: 23 °F	Capacity: 16,254 BTUH
----------------------------	----------------------------	------------------------------

Electrical Data

Compressor RLA: 9.6	Compressor LRA: 58	Total Condenser Fan FLA: 1.2
MCA: 15	MOPD: 20	

Physical Data

Number of Compressors: 1	Compressor Model: YS14KAE	Compressor HP: 2
Number of Condenser Fans: 2	Approx. Ship Weight: 215 lbs	Sound Data: 71 dBA
Liquid Line: 1/2 in.	Suction Line: 7/8 in.	
Pump Down Capacity (%): 90	Pump Down Capacity: 14.9 lbs	

Option Data

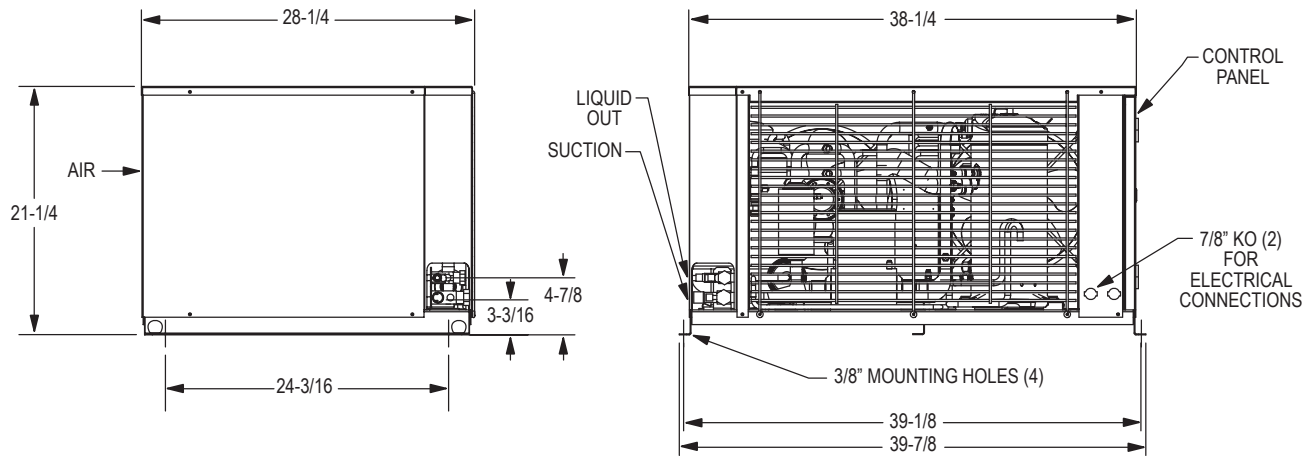
Mounted Option	NO STANDARD AIR DEFROST TIMER
Mounted Option	EC MOTOR(S)
Mounted Option	LIQUID LINE WITH COMPONENTS: SEALED FILTER & SIGHT GLASS
Mounted Option	STANDARD RECEIVER
Mounted Option	FIXED HIGH/ADJUSTABLE LOW PRESSURE CONTROL

Compliance Data

AWEF: **7.60**

Notes

Dimensional Drawing



Standard Features

- All-weather Galvanized steel painted housing
- Generously sized high efficiency condenser, enhanced copper tubes/aluminum fins
- Integral Liquid Subcooling Circuit provides subcooled liquid to the expansion device
- Crankcase heater
- Large electrical panel with hinged/removable door
- Color coded point-to-point wiring
- Quick access to shut off valves from exterior
- UL/cUL certified for use with multiple refrigerants
- UL/cUL listed for outdoor use
- Flooded models include flooded head pressure control
- Non flooded models include mild ambient fan cycle control

Certifications



A19, A20 - UC-2 - Product Information

General Data

Model Line: NEXT-GEN ALL-TEMP	Model Number: RAL6A170ADA	Motors: DUAL SPEED EC MOTOR
Unit Voltage: 115/1/60	Defrost Type: AIR DEFROST	Refrigerant: R-454A
Fins Per Inch: 6	Number of Fans: 3	

Performance Data

Suction Temp: 25 °F	T.D: 9.9 °F	Capacity: 16,907.3 BTUH	CFM: 2355
----------------------------	--------------------	--------------------------------	------------------

Electrical Data

Motor Voltage: 115/1/60	Total Unit Fan Motor Amps: 2.4	
Heater Voltage: -	Heater Amps: 0	Heater Watts: 0
MCA: 15	MOPD: 20	

Physical Data

Liquid Line: 3/8 in.	Suction Line: 7/8 in.	Approx. Ship Weight: 72 lbs
-----------------------------	------------------------------	------------------------------------

Option Data

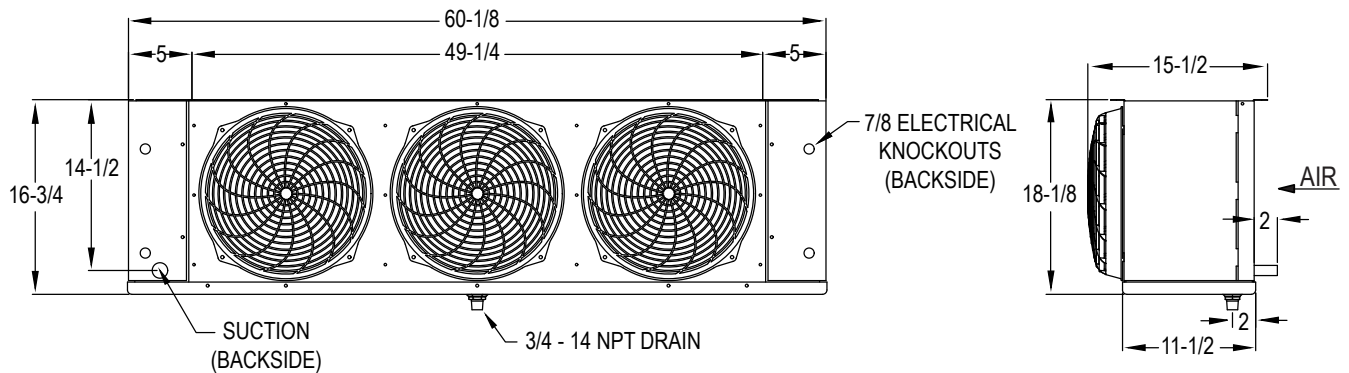
Mounted Option	EcoNet Control Package
Mounted Option	A2L Leak Detector
Loose Option	SSOV Isolation Valve - Shipped-Loose
Loose Option	Check Valve - Shipped-Loose

Compliance Data

AWEF: **9.00**

Notes

Dimensional Drawing



Standard Features

- Embossed aluminum housing
- Enhanced copper tube and aluminum fin coil construction
- Sweat connections
- Thermal overload protection
- High efficiency fan guard design and deep draw venturi
- Heavy-duty fans are balanced for vibration-free operation
- Fan sections are baffled to prevent short cycling of air
- Slide out end panels
- Removable drain pan
- Mounts flush to the ceiling
- Top pan includes 1/2" wide slotted mounting points
- UL/cUL certified for use with multiple refrigerants
- NSF approved for use in food preparation areas

Certifications



A22, A23 - CDU-3 - Product Information

General Data

Model Line: NEXT-GEN MINI-CON	Model Number: RFON400L4AEA	Flooded: Yes
Refrigerant: R-454A	Voltage: 208-230/3/60	Compressor Type: SCROLL

Performance Data

Ambient Temp: 95 °F	Suction Temp: -22 °F	Capacity: 13,820 BTUH
----------------------------	-----------------------------	------------------------------

Electrical Data

Compressor RLA: 11.9	Compressor LRA: 99	Total Condenser Fan FLA: 5.2
MCA: 21.1	MOPD: 30	

Physical Data

Number of Compressors: 1	Compressor Model: YF10KAE	Compressor HP: 4
Number of Condenser Fans: 1	Approx. Ship Weight: 352 lbs	Sound Data: 73 dBA
Liquid Line: 1/2 in.	Suction Line: 1 1/8 in.	
Pump Down Capacity (%): 90	Pump Down Capacity: 27.4 lbs	

Option Data

Mounted Option	NO STANDARD DEFROST KIT
Mounted Option	EC MOTOR(S)
Mounted Option	LIQUID LINE WITH COMPONENTS: SEALED FILTER & SIGHT GLASS
Mounted Option	STANDARD RECEIVER
Mounted Option	FIXED HIGH/ADJUSTABLE LOW PRESSURE CONTROL

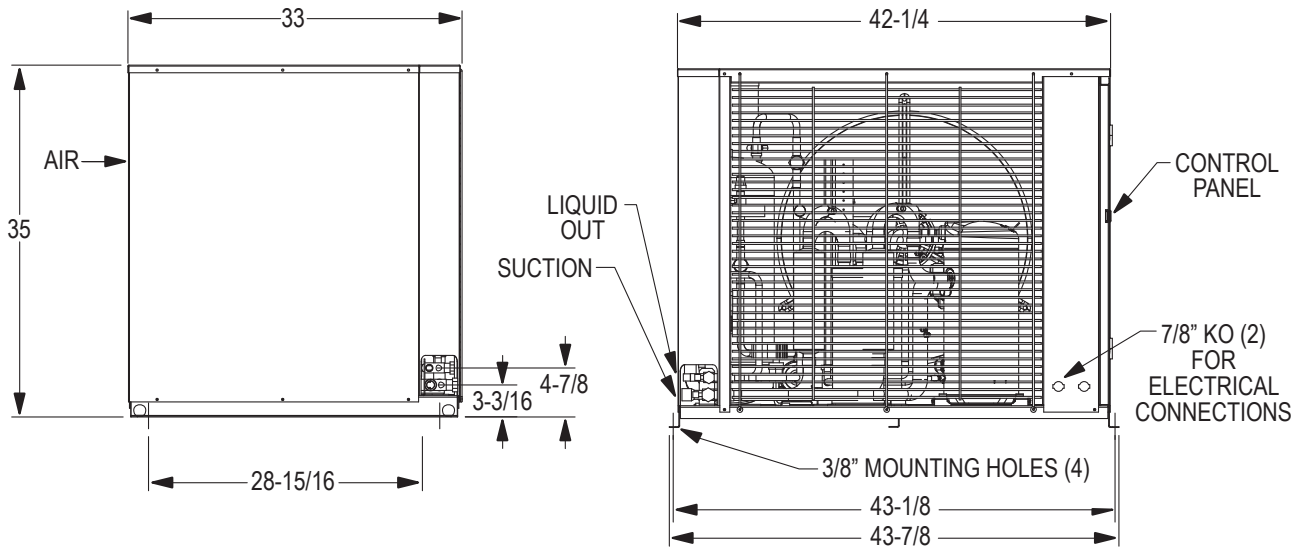
Compliance Data

AWEF: **3.15**

Notes

Quotes are valid for 30 Days. Due to ongoing product development, RapidSpec and its export documentation is subject to change without notice. In no event shall HTPG be liable for special or consequential damages in connection with the use or output of RapidSpec. MCA/MOPD and Defrost Kit selection will be confirmed at time of purchase. Submittal data shown represents design conditions.

Dimensional Drawing



Standard Features

- All-weather Galvanized steel painted housing
- Generously sized high efficiency condenser, enhanced copper tubes/aluminum fins
- Integral Liquid Subcooling Circuit provides subcooled liquid to the expansion device
- Crankcase heater
- Large electrical panel with hinged/removable door
- Color coded point-to-point wiring
- Quick access to shut off valves from exterior
- UL/cUL certified for use with multiple refrigerants
- UL/cUL listed for outdoor use
- Flooded models include flooded head pressure control
- Non flooded models include mild ambient fan cycle control

Certifications



A22, A23 - UC-3 - Product Information

General Data

Model Line: NEXT-GEN ALL-TEMP	Model Number: RAL6E079DDA	Motors: DUAL SPEED EC MOTOR
Unit Voltage: 208-230/1/60	Defrost Type: ELECTRIC DEFROST	Refrigerant: R-454A
Fins Per Inch: 6	Number of Fans: 2	

Performance Data

Suction Temp: -20 °F	T.D: 9.3 °F	Capacity: 7,365.1 BTUH	CFM: 1600
-----------------------------	--------------------	-------------------------------	------------------

Electrical Data

Motor Voltage: 208-230/1/60	Total Unit Fan Motor Amps: 1	
Heater Voltage: 208-230/1/60	Heater Amps: 9.8	Heater Watts: 2250
MCA: 15	MOPD: 20	

Physical Data

Liquid Line: 3/8 in.	Suction Line: 7/8 in.	Approx. Ship Weight: 52 lbs
-----------------------------	------------------------------	------------------------------------

Option Data

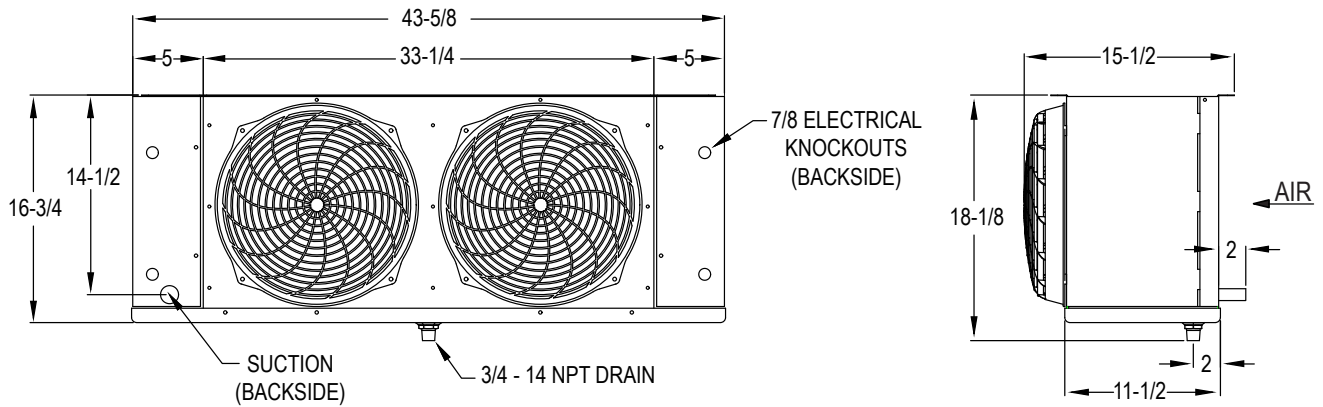
Mounted Option	EcoNet Control Package
Mounted Option	A2L Leak Detector
Loose Option	SSOV Isolation Valve - Shipped-Loose
Loose Option	Check Valve - Shipped-Loose

Compliance Data

AWEF: **4.00**

Notes

Dimensional Drawing



Standard Features

- Embossed aluminum housing
- Enhanced copper tube and aluminum fin coil construction
- Sweat connections
- Thermal overload protection
- High efficiency fan guard design and deep draw venturi
- Heavy-duty fans are balanced for vibration-free operation
- Fan sections are baffled to prevent short cycling of air
- Slide out end panels
- Removable drain pan
- Mounts flush to the ceiling
- Top pan includes 1/2" wide slotted mounting points
- UL/cUL certified for use with multiple refrigerants
- NSF approved for use in food preparation areas

Certifications



A25, A26 - CDU-4 - Product Information

General Data

Model Line: NEXT-GEN MINI-CON	Model Number: RFON150E4AEA	Flooded: Yes
Refrigerant: R-454A	Voltage: 208-230/3/60	Compressor Type: SCROLL

Performance Data

Ambient Temp: 95 °F	Suction Temp: 23 °F	Capacity: 12,176 BTUH
----------------------------	----------------------------	------------------------------

Electrical Data

Compressor RLA: 9.3	Compressor LRA: 58	Total Condenser Fan FLA: 1.2
MCA: 15	MOPD: 20	

Physical Data

Number of Compressors: 1	Compressor Model: YS11KAE	Compressor HP: 1 1/4
Number of Condenser Fans: 2	Approx. Ship Weight: 205 lbs	Sound Data: 71 dBA
Liquid Line: 1/2 in.	Suction Line: 7/8 in.	
Pump Down Capacity (%): 90	Pump Down Capacity: 13.3 lbs	

Option Data

Mounted Option	NO STANDARD AIR DEFROST TIMER
Mounted Option	EC MOTOR(S)
Mounted Option	LIQUID LINE WITH COMPONENTS: SEALED FILTER & SIGHT GLASS
Mounted Option	STANDARD RECEIVER
Mounted Option	FIXED HIGH/ADJUSTABLE LOW PRESSURE CONTROL

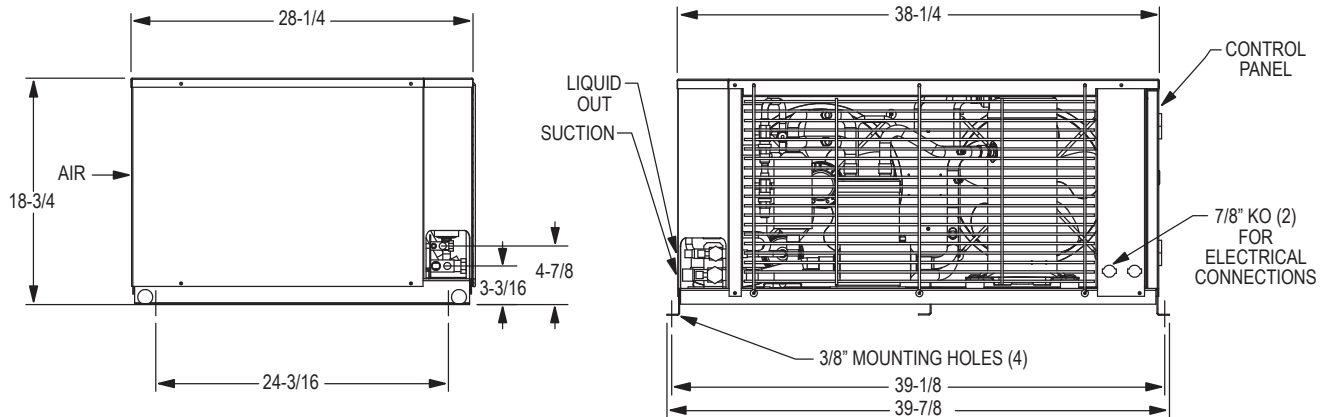
Compliance Data

AWEF: **7.60**

Notes

Quotes are valid for 30 Days. Due to ongoing product development, RapidSpec and its export documentation is subject to change without notice. In no event shall HTPG be liable for special or consequential damages in connection with the use or output of RapidSpec. MCA/MOPD and Defrost Kit selection will be confirmed at time of purchase. Submittal data shown represents design conditions.

Dimensional Drawing



Standard Features

- All-weather Galvanized steel painted housing
- Generously sized high efficiency condenser, enhanced copper tubes/aluminum fins
- Integral Liquid Subcooling Circuit provides subcooled liquid to the expansion device
- Crankcase heater
- Large electrical panel with hinged/removable door
- Color coded point-to-point wiring
- Quick access to shut off valves from exterior
- UL/cUL certified for use with multiple refrigerants
- UL/cUL listed for outdoor use
- Flooded models include flooded head pressure control
- Non flooded models include mild ambient fan cycle control

Certifications



A25, A26 - UC-4 - Product Information

General Data

Model Line: NEXT-GEN ALL-TEMP	Model Number: RAL6A141ADA	Motors: DUAL SPEED EC MOTOR
Unit Voltage: 115/1/60	Defrost Type: AIR DEFROST	Refrigerant: R-454A
Fins Per Inch: 6	Number of Fans: 2	

Performance Data

Suction Temp: 25 °F	T.D: 9.1 °F	Capacity: 12,870.9 BTUH	CFM: 1550
----------------------------	--------------------	--------------------------------	------------------

Electrical Data

Motor Voltage: 115/1/60	Total Unit Fan Motor Amps: 1.6	
Heater Voltage: -	Heater Amps: 0	Heater Watts: 0
MCA: 15	MOPD: 20	

Physical Data

Liquid Line: 3/8 in.	Suction Line: 7/8 in.	Approx. Ship Weight: 58 lbs
-----------------------------	------------------------------	------------------------------------

Option Data

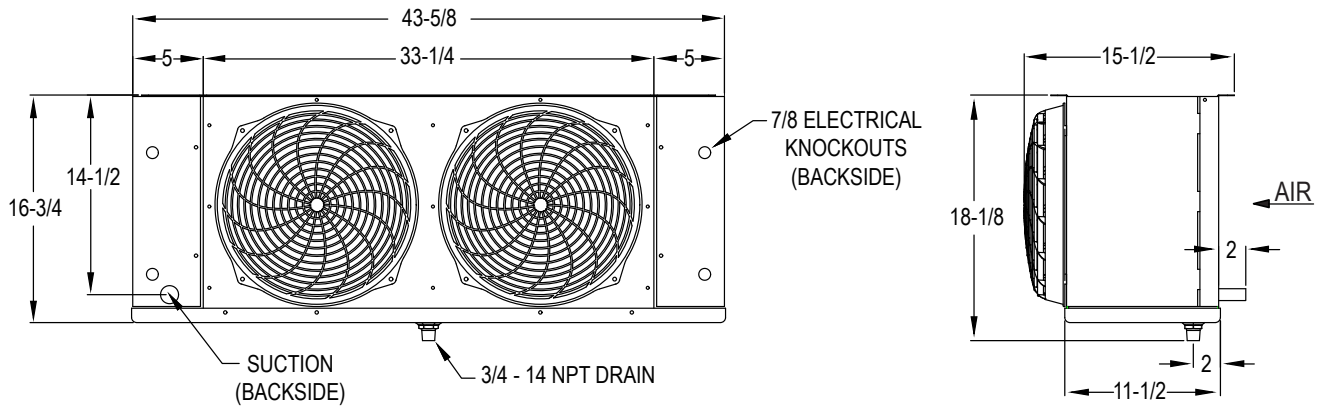
Mounted Option	EcoNet Control Package
Mounted Option	A2L Leak Detector
Loose Option	SSOV Isolation Valve - Shipped-Loose
Loose Option	Check Valve - Shipped-Loose

Compliance Data

AWEF: **9.00**

Notes

Dimensional Drawing



Standard Features

- Embossed aluminum housing
- Enhanced copper tube and aluminum fin coil construction
- Sweat connections
- Thermal overload protection
- High efficiency fan guard design and deep draw venturi
- Heavy-duty fans are balanced for vibration-free operation
- Fan sections are baffled to prevent short cycling of air
- Slide out end panels
- Removable drain pan
- Mounts flush to the ceiling
- Top pan includes 1/2" wide slotted mounting points
- UL/cUL certified for use with multiple refrigerants
- NSF approved for use in food preparation areas

Certifications



A8, A9 - CDU-5 - Product Information

General Data

Model Line: NEXT-GEN MINI-CON	Model Number: RFON280E4AEA	Flooded: Yes
Refrigerant: R-454A	Voltage: 208-230/3/60	Compressor Type: SCROLL

Performance Data

Ambient Temp: 95 °F	Suction Temp: 23 °F	Capacity: 23,852 BTUH
----------------------------	----------------------------	------------------------------

Electrical Data

Compressor RLA: 10.8	Compressor LRA: 76.9	Total Condenser Fan FLA: 5.2
MCA: 19.7	MOPD: 30	

Physical Data

Number of Compressors: 1	Compressor Model: YS19KAE	Compressor HP: 2 3/4
Number of Condenser Fans: 1	Approx. Ship Weight: 305 lbs	Sound Data: 72 dBA
Liquid Line: 5/8 in.	Suction Line: 1 1/8 in.	
Pump Down Capacity (%): 90	Pump Down Capacity: 27.4 lbs	

Option Data

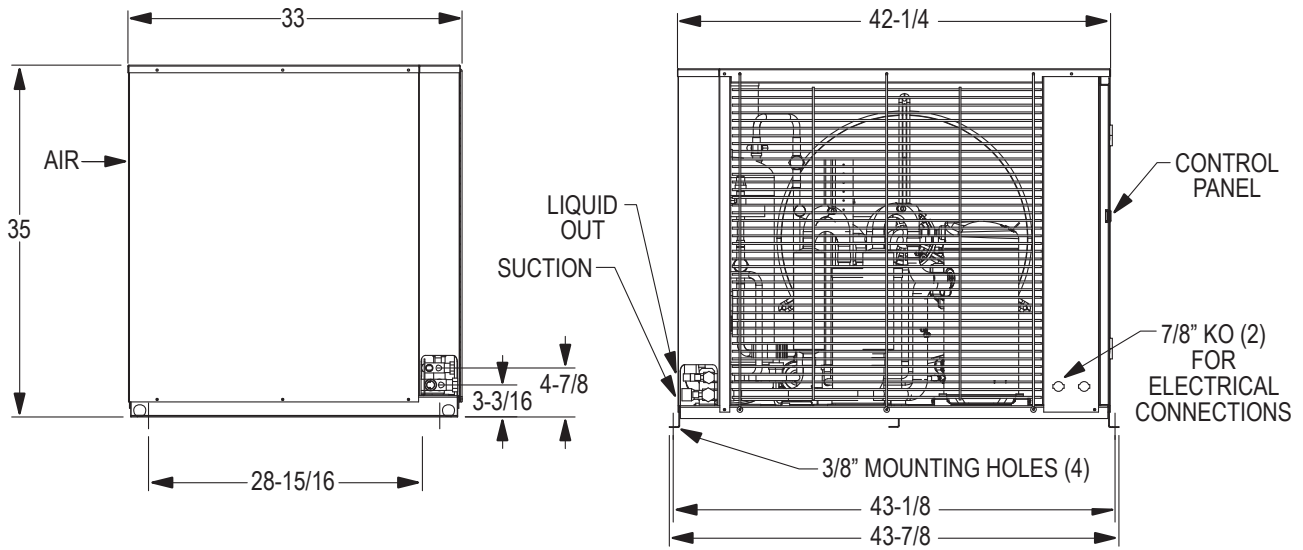
Mounted Option	NO STANDARD AIR DEFROST TIMER
Mounted Option	EC MOTOR(S)
Mounted Option	LIQUID LINE WITH COMPONENTS: SEALED FILTER & SIGHT GLASS
Mounted Option	STANDARD RECEIVER
Mounted Option	FIXED HIGH/ADJUSTABLE LOW PRESSURE CONTROL

Compliance Data

AWEF: 7.60

Notes

Dimensional Drawing



Standard Features

- All-weather Galvanized steel painted housing
- Generously sized high efficiency condenser, enhanced copper tubes/aluminum fins
- Integral Liquid Subcooling Circuit provides subcooled liquid to the expansion device
- Crankcase heater
- Large electrical panel with hinged/removable door
- Color coded point-to-point wiring
- Quick access to shut off valves from exterior
- UL/cUL certified for use with multiple refrigerants
- UL/cUL listed for outdoor use
- Flooded models include flooded head pressure control
- Non flooded models include mild ambient fan cycle control

Certifications



A8, A9 - UC-5 - Product Information

General Data

Model Line: NEXT-GEN ALL-TEMP	Model Number: RAL6A141ADA	Motors: DUAL SPEED EC MOTOR
Unit Voltage: 115/1/60	Defrost Type: AIR DEFROST	Refrigerant: R-454A
Fins Per Inch: 6	Number of Fans: 2	

Performance Data

Suction Temp: 25 °F	T.D: 9 °F	Capacity: 12,695.9 BTUH	CFM: 1550
----------------------------	------------------	--------------------------------	------------------

Electrical Data

Motor Voltage: 115/1/60	Total Unit Fan Motor Amps: 1.6	
Heater Voltage: -	Heater Amps: 0	Heater Watts: 0
MCA: 15	MOPD: 20	

Physical Data

Liquid Line: 3/8 in.	Suction Line: 7/8 in.	Approx. Ship Weight: 58 lbs
-----------------------------	------------------------------	------------------------------------

Option Data

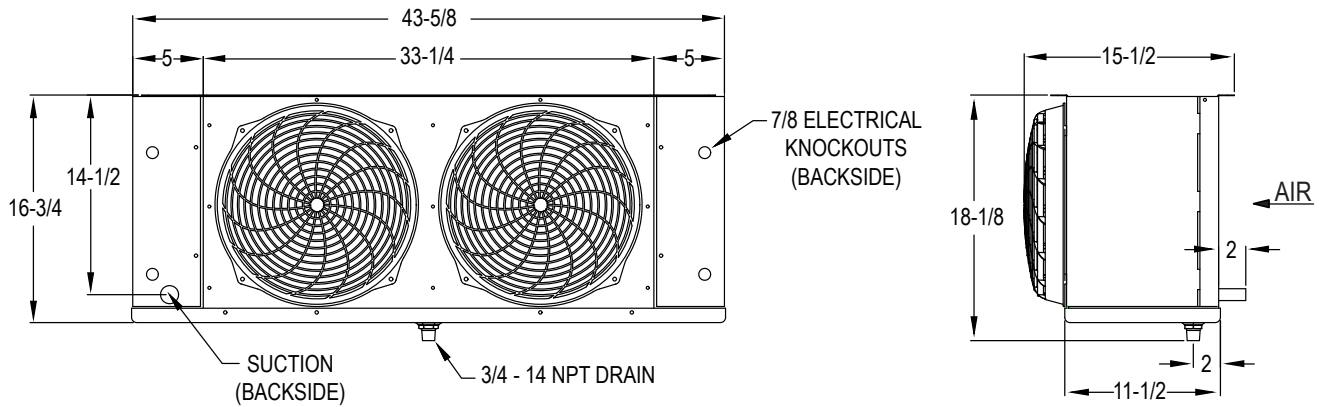
Mounted Option	EcoNet Control Package
Mounted Option	A2L Leak Detector
Loose Option	SSOV Isolation Valve - Shipped-Loose
Loose Option	Check Valve - Shipped-Loose

Compliance Data

AWEF: **9.00**

Notes

Dimensional Drawing



Standard Features

- Embossed aluminum housing
- Enhanced copper tube and aluminum fin coil construction
- Sweat connections
- Thermal overload protection
- High efficiency fan guard design and deep draw venturi
- Heavy-duty fans are balanced for vibration-free operation
- Fan sections are baffled to prevent short cycling of air
- Slide out end panels
- Removable drain pan
- Mounts flush to the ceiling
- Top pan includes $1/2$ " wide slotted mounting points
- UL/cUL certified for use with multiple refrigerants
- NSF approved for use in food preparation areas

Certifications



D56, D57 - CDU-6 - Product Information

General Data

Model Line: NEXT-GEN MINI-CON	Model Number: RFON150E4AEA	Flooded: Yes
Refrigerant: R-454A	Voltage: 208-230/3/60	Compressor Type: SCROLL

Performance Data

Ambient Temp: 95 °F	Suction Temp: 23 °F	Capacity: 12,176 BTUH
----------------------------	----------------------------	------------------------------

Electrical Data

Compressor RLA: 9.3	Compressor LRA: 58	Total Condenser Fan FLA: 1.2
MCA: 15	MOPD: 20	

Physical Data

Number of Compressors: 1	Compressor Model: YS11KAE	Compressor HP: 1 1/4
Number of Condenser Fans: 2	Approx. Ship Weight: 205 lbs	Sound Data: 71 dBA
Liquid Line: 1/2 in.	Suction Line: 7/8 in.	
Pump Down Capacity (%): 90	Pump Down Capacity: 13.3 lbs	

Option Data

Mounted Option	NO STANDARD AIR DEFROST TIMER
Mounted Option	EC MOTOR(S)
Mounted Option	LIQUID LINE WITH COMPONENTS: SEALED FILTER & SIGHT GLASS
Mounted Option	STANDARD RECEIVER
Mounted Option	FIXED HIGH/ADJUSTABLE LOW PRESSURE CONTROL

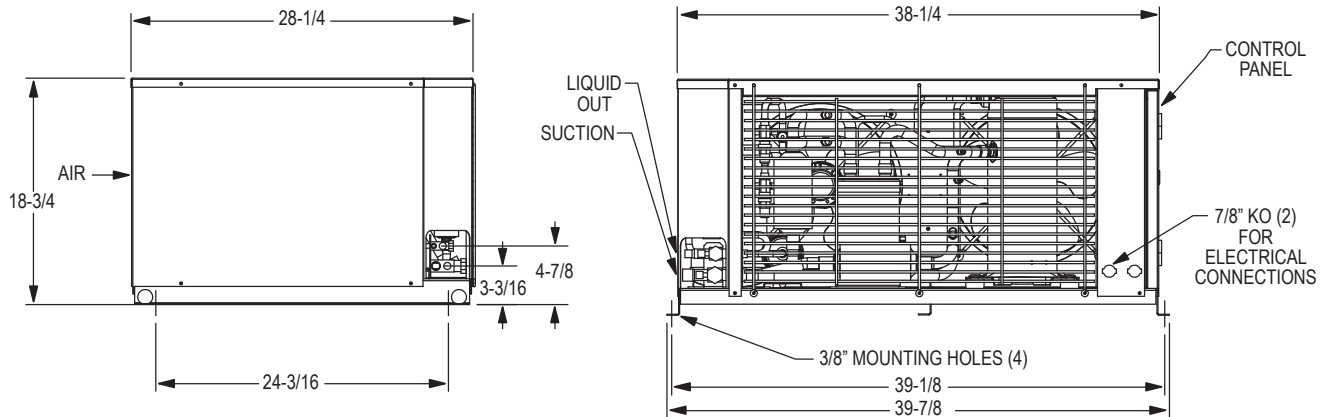
Compliance Data

AWEF: **7.60**

Notes

Quotes are valid for 30 Days. Due to ongoing product development, RapidSpec and its export documentation is subject to change without notice. In no event shall HTPG be liable for special or consequential damages in connection with the use or output of RapidSpec. MCA/MOPD and Defrost Kit selection will be confirmed at time of purchase. Submittal data shown represents design conditions.

Dimensional Drawing



Standard Features

- All-weather Galvanized steel painted housing
- Generously sized high efficiency condenser, enhanced copper tubes/aluminum fins
- Integral Liquid Subcooling Circuit provides subcooled liquid to the expansion device
- Crankcase heater
- Large electrical panel with hinged/removable door
- Color coded point-to-point wiring
- Quick access to shut off valves from exterior
- UL/cUL certified for use with multiple refrigerants
- UL/cUL listed for outdoor use
- Flooded models include flooded head pressure control
- Non flooded models include mild ambient fan cycle control

Certifications



D56, D57 - UC-6 - Product Information

General Data

Model Line: NEXT-GEN ALL-TEMP	Model Number: RAL6A062ADA	Motors: DUAL SPEED EC MOTOR
Unit Voltage: 115/1/60	Defrost Type: AIR DEFROST	Refrigerant: R-454A
Fins Per Inch: 6	Number of Fans: 1	

Performance Data

Suction Temp: 25 °F	T.D: 10.2 °F	Capacity: 6,308.8 BTUH	CFM: 785
----------------------------	---------------------	-------------------------------	-----------------

Electrical Data

Motor Voltage: 115/1/60	Total Unit Fan Motor Amps: 0.8	
Heater Voltage: -	Heater Amps: 0	Heater Watts: 0
MCA: 15	MOPD: 20	

Physical Data

Liquid Line: 3/8 in.	Suction Line: 5/8 in.	Approx. Ship Weight: 44 lbs
-----------------------------	------------------------------	------------------------------------

Option Data

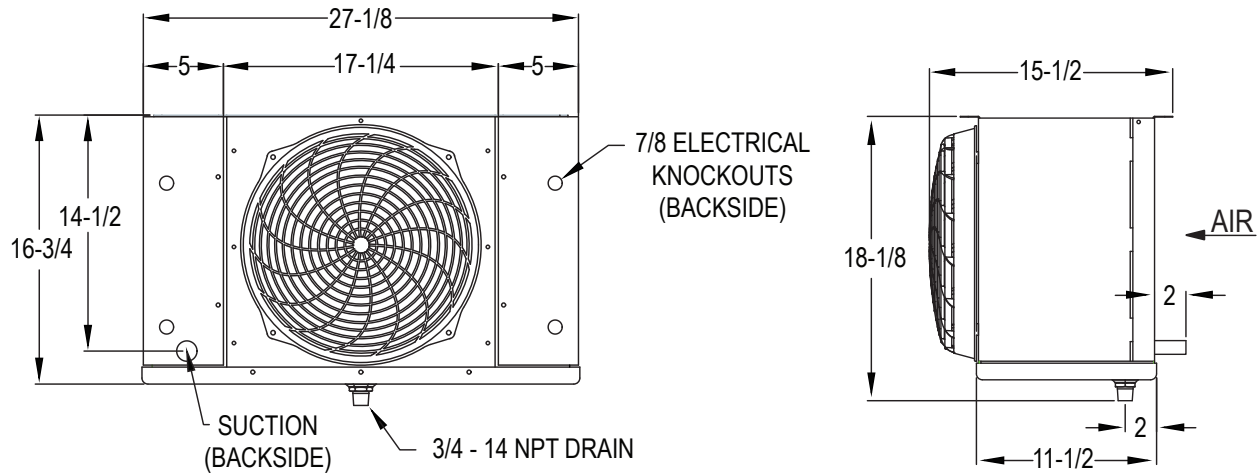
Mounted Option	EcoNet Control Package
Mounted Option	A2L Leak Detector
Loose Option	SSOV Isolation Valve - Shipped-Loose
Loose Option	Check Valve - Shipped-Loose

Compliance Data

AWEF: **9.00**

Notes

Dimensional Drawing



Standard Features

- Embossed aluminum housing
- Enhanced copper tube and aluminum fin coil construction
- Sweat connections
- Thermal overload protection
- High efficiency fan guard design and deep draw venturi
- Heavy-duty fans are balanced for vibration-free operation
- Fan sections are baffled to prevent short cycling of air
- Slide out end panels
- Removable drain pan
- Mounts flush to the ceiling
- Top pan includes 1/2" wide slotted mounting points
- UL/cUL certified for use with multiple refrigerants
- NSF approved for use in food preparation areas

Certifications

