

SPECIFICATIONS

Indoor combo (no floors)
Vinyl foam NSF gasket (1/16" joint thickness), Cam-lock layout #4

SPECIAL INSTRUCTIONS

Standard crating

WALL PANELS

Construction: 4" high density urethane (R-32)
Exterior Finish: .040 stucco white aluminum / Stucco galvalume
Interior Finish: .040 stucco aluminum
Ceiling connections: Camlock
Floor connections: Angle screed

CEILING PANELS

Construction: 4" high density urethane (R-32)
Exterior Finish: 26 ga. stucco galvalume
Interior Finish: .040 smooth white aluminum
Ceiling Caps: Factory mounted
Live Load: 10 psf

DOORS

[A]: 36" x 78" flush model G3 self-closing cooler door
*** ELECTRICAL COMPONENTS PRE-WIRED ***
*** LEAF NOT RAISED FOR FLOORING ***
Brand: Imperial Brown
Frame: 4" high density urethane (R-32), 3-sided
w/ .040 stucco white aluminum @ ext.
w/ .040 stucco aluminum @ int.
w/ 24 ga. stainless steel 430 (magnetic) liners
Leaf: 4" thick, 3-side lap, standard height
w/ .040 stucco white aluminum @ ext.
w/ .040 stucco aluminum @ int.
w/ Magnetic gasket
w/ 2 1/4" black neoprene sweep
(3) Component Hardware #W59 spring assisted adjustable hinge
(1) Kason #27C cylinder locking deadbolt handle
(1) Kason #27C twist-off knob inside release
(1) Kason 'PUSH' pad
(1) Kason #1094 hydraulic door closer (polished chrome)
(1) Weiss 24DT-L, single pole switch and thermometer combo @ ext.
(1) Terminal J-Box @ int.
(1) 14" x 14" heated (-20F) Norfab view window (12 3/4" x 12 3/4" viewing area) (50W, 120V, 0.42A)
48" high AFF .125 aluminum diamond tread kickplates (frame, ext. & int.)
48" high AFF .125 aluminum diamond tread kickplates (leaf, ext. & int.)

[B]: 36" x 78" flush model G3 self-closing cooler door
*** ELECTRICAL COMPONENTS PRE-WIRED ***
*** LEAF NOT RAISED FOR FLOORING ***
Brand: Imperial Brown
Frame: 4" high density urethane (R-32), 3-sided
w/ .040 stucco white aluminum @ ext.
w/ .040 stucco aluminum @ int.
w/ 24 ga. stainless steel 430 (magnetic) liners
Leaf: 4" thick, 3-side lap, standard height
w/ .040 stucco white aluminum @ ext.
w/ .040 stucco aluminum @ int.
w/ Magnetic gasket
w/ 2 1/4" black neoprene sweep
(3) Component Hardware #W59 spring assisted adjustable hinge
(1) Kason #27C cylinder locking deadbolt handle
(1) Kason #27C twist-off knob inside release
(1) Kason 'PUSH' pad
(1) Kason #1094 hydraulic door closer (polished chrome)
(1) Weiss 24DT-L, single pole switch and thermometer combo @ ext.
(1) Terminal J-Box @ int.
(1) 14" x 14" heated (-20F) Norfab view window (12 3/4" x 12 3/4" viewing area) (50W, 120V, 0.42A)
48" high AFF .125 aluminum diamond tread kickplates (frame, ext. & int.)
48" high AFF .125 aluminum diamond tread kickplates (leaf, ext. & int.)

[C]: 48" x 78" flush model G3 self-closing cooler door
*** ELECTRICAL COMPONENTS PRE-WIRED ***
*** LEAF NOT RAISED FOR FLOORING ***
Brand: Imperial Brown
Frame: 4" high density urethane (R-32), 3-sided
w/ .040 stucco white aluminum @ ext.
w/ .040 stucco aluminum @ int.
w/ 24 ga. stainless steel 430 (magnetic) liners
Leaf: 4" thick, 3-side lap, standard height
w/ .040 stucco white aluminum @ ext.
w/ .040 stucco aluminum @ int.
w/ Magnetic gasket
w/ 2 1/4" black neoprene sweep
(3) Component Hardware #W59 spring assisted adjustable hinge
(1) Kason #27C cylinder locking deadbolt handle
(1) Kason #27C twist-off knob inside release
(1) Kason 'PUSH' pad
(1) Kason #1094 hydraulic door closer (polished chrome)
(1) Weiss 24DT-L, single pole switch and thermometer combo @ ext.
(1) Terminal J-Box @ int.
(1) 14" x 14" heated (-20F) Norfab view window (12 3/4" x 12 3/4" viewing area) (50W, 120V, 0.42A)
48" high AFF .125 aluminum diamond tread kickplates (frame, ext. & int.)
48" high AFF .125 aluminum diamond tread kickplates (leaf, ext. & int.)

[D],[E],[F],[G]:
24" x 24" non-PVC overlap reach-in cooler door
*** LEAF NOT RAISED FOR FLOORING ***
Brand: Imperial Brown
Frame: None
Leaf: 4" thick, 4-side lap, standard height
w/ 26 ga. stucco galvalume @ ext.
w/ .040 smooth white aluminum @ int.
w/ Magnetic gasket
(1) Pull Handle - Kason 27C with 1-5/8" offset (10027C00E04)
(1) 27C strike to be held on with bolt in lieu of twist knob inside release
(2) Hinges - Kason 1241 double knuckle with 1-1/8" offset (chrome)

PARTS

(10) ea. 4' LED light fixture #LED-440079 for cooler or freezer application (65W, 120-277V, 0.6-0.3A)-2 in Chef's Cooler, 3 in Produce Cooler, 5 in General Cooler (Fixture ships loose for field installation.)
(28) ea. IB cove base-6" x 96" x .040 stucco aluminum
(47) lin.ft. Fabricated out of .125 aluminum diamond tread
Cut and pre-drilled for field installation @ the exposed exterior 48" high wainscoting
(2) ea. (2" x 4") x 96" x .040 stucco white aluminum outside corner vertical closure
(2) ea. (2" x 4") x 48" x .040 stucco white aluminum outside corner vertical closure
(1) set .040 stucco white aluminum removable ceiling closure-Please Verify Closure Dimensions and Requirements
Estimated Cavity Size = 1' - 6" (18") high x 57' - 11" (695") long
18 ga. stainless steel 304 #4 liners for 24" x 24" ceiling opening
18 ga. stainless steel 304 #4 liners for 24" x 24" ceiling opening
18 ga. stainless steel 304 #4 liners for 24" x 24" ceiling opening
18 ga. stainless steel 304 #4 liners for 24" x 24" ceiling opening

REFRIGERATION

(1) ea. Chef's Cooler (Items #A25, A26) - Outdoor R454a split system w/ EcoNET 12871 BTU/H @ 9.1F TD, 14.3 hr runtime @ 35F inside/85F outside room 95F @ cond. unit, 36ft altitude
(1) Russell R454a water cooled condensing unit #RWON150E4AEA-NT 208-230V/3ø/60Hz/1.5HP Scroll compressor
MCA=15, MOPD =20, AWEF: 39.875W x 28.0625D x 19.875H x 205lbs.
(1) Russell R454a Next-Gen All-Temp evaporator model #RAL6A141ADARSF w/ (2) DSE motors (1.6A) & air defrost 115V/1ø/60Hz 43.625W x 15.5D x 18.125H x 53lbs.
Includes
(1) ea. Russell water valve for water-cooled condensing units (0.5 to 2.0 HP)
(1) ea. Russell outside line check valve for Next-Gen All-Temp evaporators (1-4 fans)
(1) ea. Russell outside line solenoid valve for Next-Gen All-Temp evaporators (1-4 fans)

(1) ea. Produce Cooler (Items #A19, A20) - Outdoor R454a split system w/ EcoNET 16907 BTU/H @ 9.9F TD, 13 hr runtime @ 35F inside/85F outside room 95F @ cond. unit, 0ft altitude
(1) Russell R454a water cooled condensing unit #RWON200E4AEA-NT 208-230V/3ø/60Hz/2HP Scroll compressor
MCA=15, MOPD =20, AWEF: 39.875W x 28.0625D x 21.125H x 215lbs.
(1) Russell R454a Next-Gen All-Temp evaporator model #RAL6A170ADARSF w/ (3) DSE motors (2.4A) & air defrost 115V/1ø/60Hz 60.125W x 15.5D x 18.125H x 67lbs.
Includes
(1) ea. Russell water valve for water-cooled condensing units (0.5 to 2.0 HP)
(1) ea. Russell outside line check valve for Next-Gen All-Temp evaporators (1-4 fans)
(1) ea. Russell outside line solenoid valve for Next-Gen All-Temp evaporators (1-4 fans)

(1) ea. General Cooler (Items #A8, A9) - Outdoor R454a split system w/ EcoNET 25392 BTU/H @ 9F TD, 12.7 hr runtime @ 35F inside/85F outside room 95F @ cond. unit, 0ft altitude
(1) Russell R454a water cooled condensing unit #RWON280E4AEA-NT 208-230V/3ø/60Hz/2.75HP Scroll compressor
MCA=15, MOPD =25, AWEF: 39.875W x 28.0625D x 21.125H x 305lbs.
(1) Russell R454a Next-Gen All-Temp evaporator model #RAL6A141ADARSF w/ (2) DSE motors (1.6A) & air defrost 115V/1ø/60Hz 43.625W x 15.5D x 18.125H x 53lbs.
(1) Russell R454a Next-Gen All-Temp evaporator model #RAL6A141ADARSF w/ (2) DSE motors (1.6A) & air defrost 115V/1ø/60Hz 43.625W x 15.5D x 18.125H x 53lbs.
Includes
(1) ea. Russell water valve for water-cooled condensing units (2.5 to 3.5HP)
(2) ea. Russell outside line check valve for Next-Gen All-Temp evaporators (1-4 fans)
(2) ea. Russell outside line solenoid valve for Next-Gen All-Temp evaporators (1-4 fans)

SPECIAL PANELS

C2, C6, C12, C16 w/ (1) ea. Opening in Ceilings section-For ceiling hatch
Size: 24" x 24"
Framed w/ 18 ga. stainless steel 304 #4 liners (shipped loose)

NOTES

Meets 2009 Federal Energy Independence and Security Act Requirements.
Meets 2021 Washington State Energy Code.
Min. R value freezer walls and ceilings R-32.
Min. R value freezer floors R-28.
Min. R value cooler walls and ceilings R-25.

STANDARD NOTES

To prevent condensation, a minimum 2" from the walk-in exterior surface is required. High humidity conditions may require force ventilation in addition to clearance.

Installation site floor must be true and level within 3/16" per 10' or additional costs may be incurred.

R-Plus Doors sliding and vertical lift doors shall not be considered means of egress. Check code egress requirements for your application.

ELECTRICAL

Field electrician to verify maximum acceptable load for light switches.If load is too high, then relay type controls should be used.
After wiring devices, ALL conduits must be sealed to stop moisture transfer through electrical raceways.
Failure to seal device per NEC codes WILL VOID WARRANTY.

REVISIONS

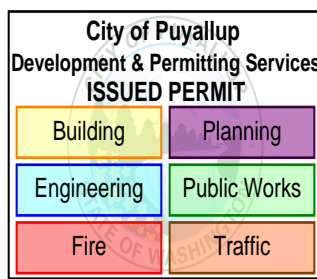
01 07/28/2025 Change Door [C] to 48"x78" swing door.
02 09/22/2025 Added Ceiling-Hatch [D][E][F][G], changes exterior ceiling finish and show evap-coils
03 10/01/2025 Show component views on interior ceiling-mounted hatches with hardware

Approval of submitted plans is not an approval of omissions or oversights by this office or non compliance with any applicable regulations of local government. The contractor is responsible for making sure that the building complies with all applicable codes and regulations of the local government.

The approved construction plans, documents, and all engineering must be posted on the job at all inspections in a visible and readily accessible location.

Full sized legible color plans are required to be provided by the permittee on site for inspection.

Separate Electrical Permit is required with the Washington State Department of Labor & Industries.
<https://lni.wa.gov/licensing-permits/electrical/electrical-permits-fees-and-inspections>
or call for Licensing Information:
1-800-647-0982



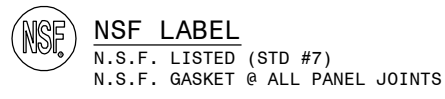
25-IB-19375-02
25-IB-19375 03.02.06
PRMH20251506
REVISED SUBMITTALS

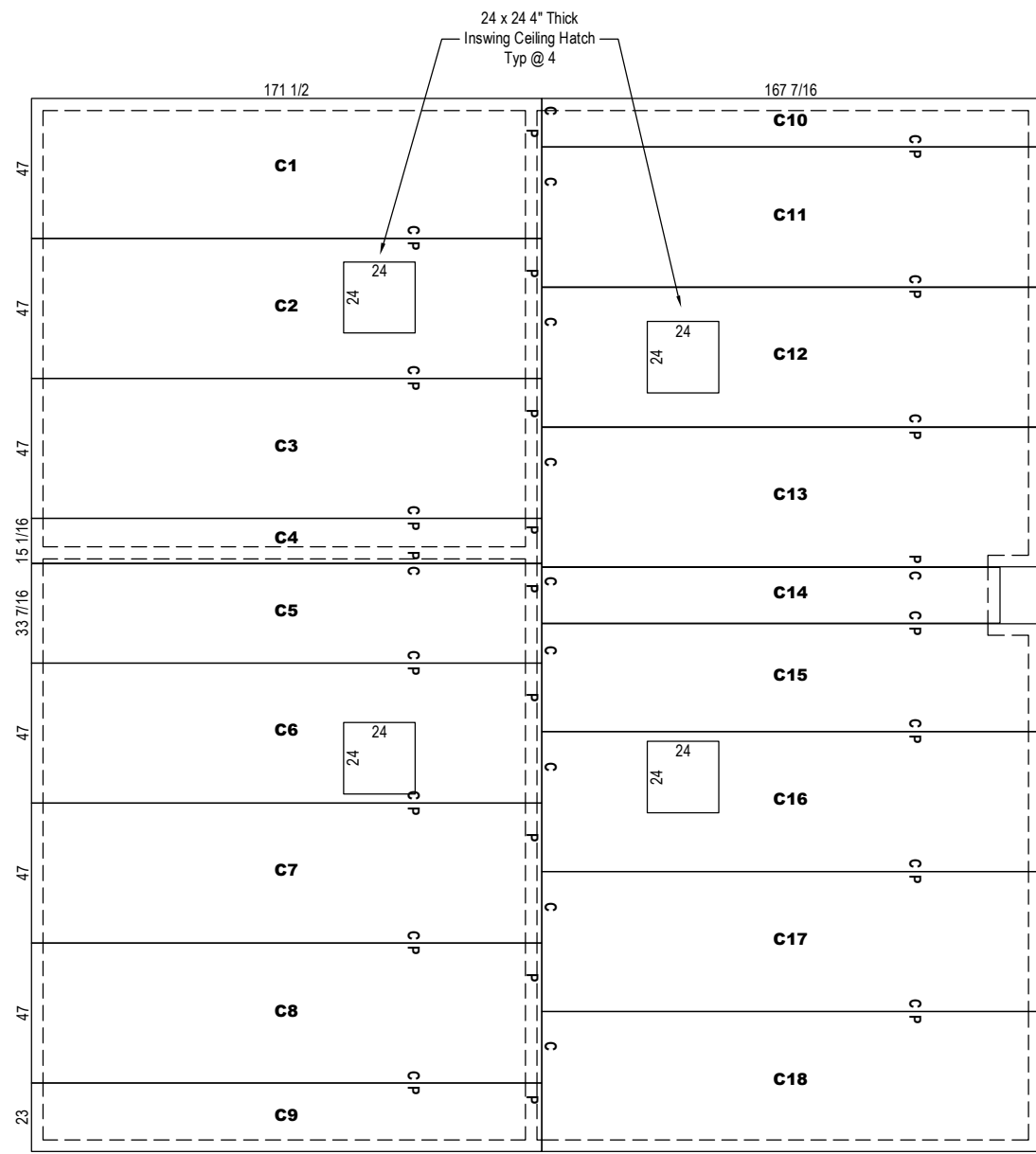
EDWARD DON & CO.
AUBURN, WA
MULTICARE GOOD SAMARITAN HOSPITAL
PUYALLUP, WA

IMPERIAL BROWN
196 SE 233rd Ave.
Gresham, OR 97030
Phone: 503-669-2928
Fax: 503-669-2928
www.imperial-brown.com

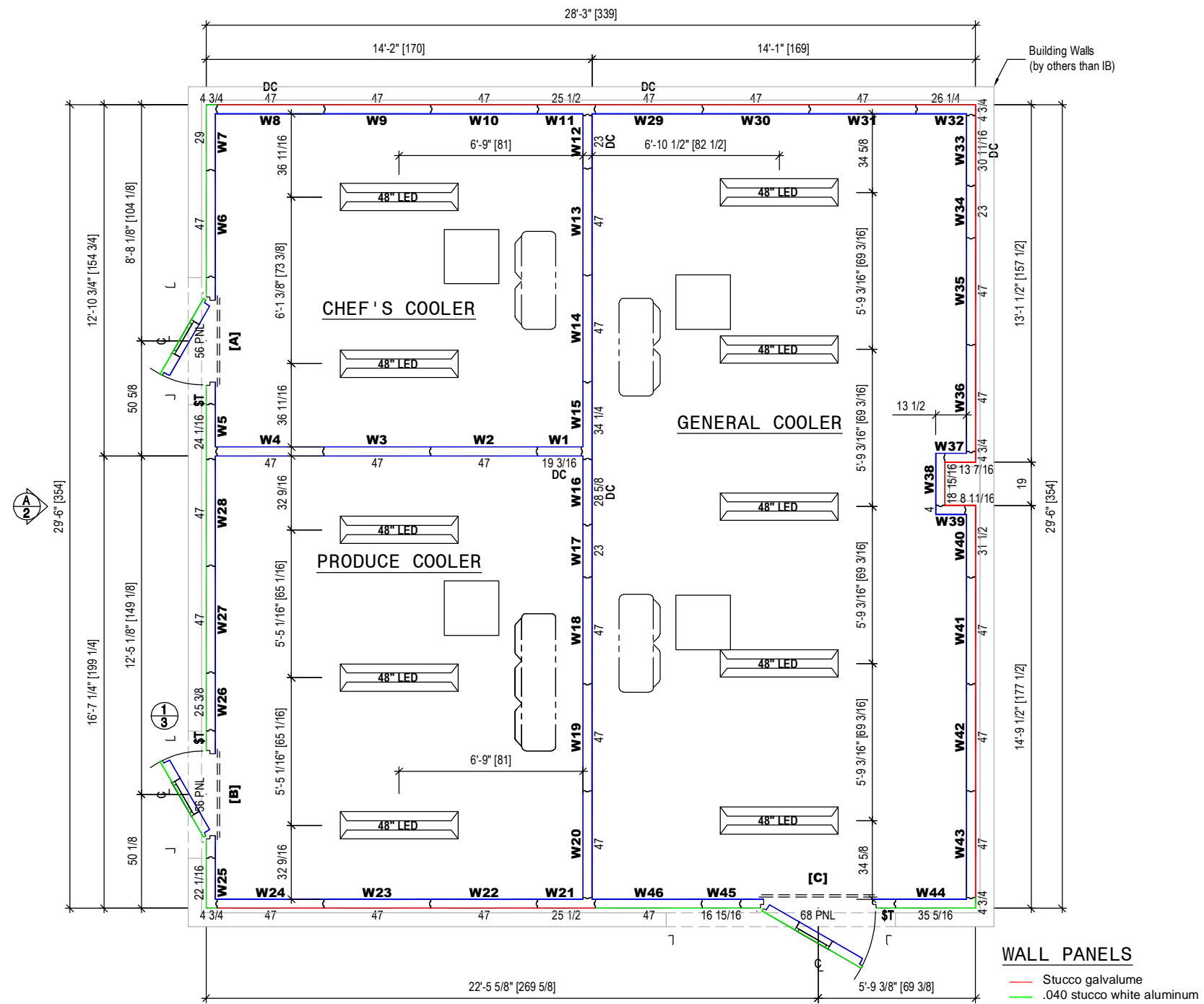
- SUBMITTAL DRAWING -
Customer Note: The Manufacturer's responsibility is limited to manufacturing this product in accordance with these drawings. The customer or their representative in signing these drawings is taking responsibility for overall size and fit around building walls, columns and ceiling restrictions, door locations, openings for equipment supplied by others, specifications and accessories listed. Production will not begin until these drawings are approved.
 APPROVED FOR FABRICATION WITH NO CHANGES
 APPROVED FOR FABRICATION WITH CHANGES
 REVISE AND RESUBMIT
Signature: _____
 E-mail me "For Construction" drawings.

DO NOT SCALE THIS DRAWING
SCALE: 3/16" = 1'-0"
DATE DRAWN: 10/6/2025
DATE PRINTED: 2/10/2026
BY: David Lowe
CHK'D BY:
DRW#: 25-IB-19375-02
BOX: 2 OF 3
SHEET: 1 OF 3





CEILING PANELS



WALL PANELS
 - Stucco galvalume
 - .040 stucco white aluminum
 - .040 stucco aluminum

NOTES-LIGHT FIXTURE LAYOUT
 Fixture layout provided as REFERENCE only. Installation is to be determined by others than Imperial Brown.

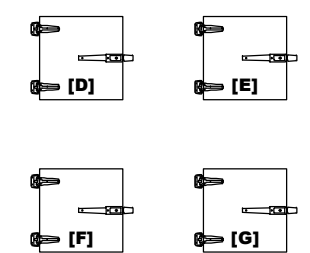
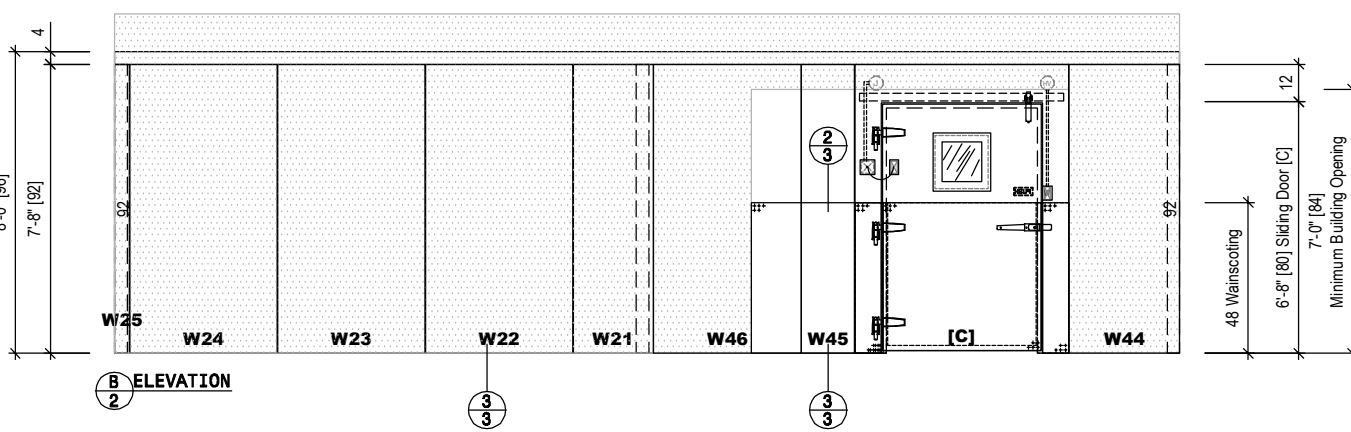
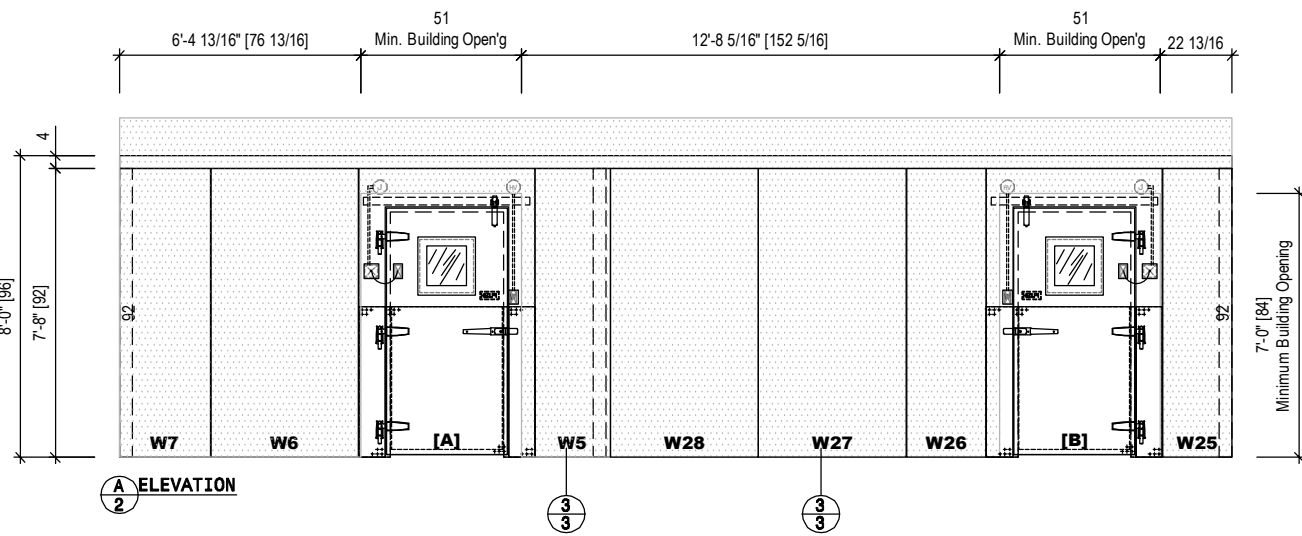
City of Puyallup
 Development & Permitting Services
ISSUED PERMIT

Building	Planning
Engineering	Public Works
Fire	Traffic

25-IB-19375-02
 25-IB-19375.02.02-06

PRMH20251506

REVISED SUBMITTALS



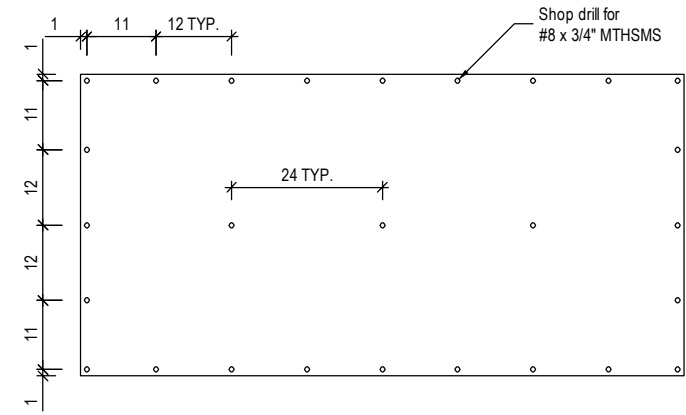
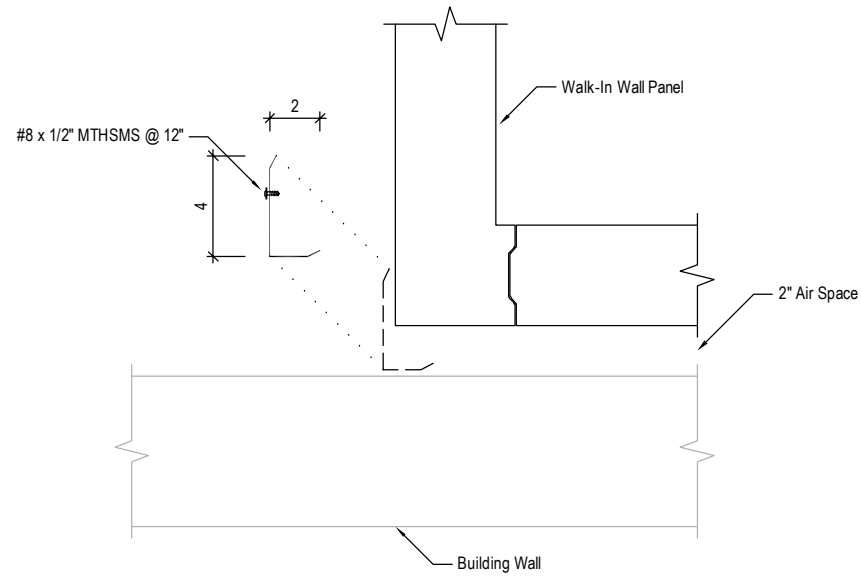
COMPONENT LOCATIONS

CONSTRUCTION LEGEND:
 □ 4" high density urethane (R-32)

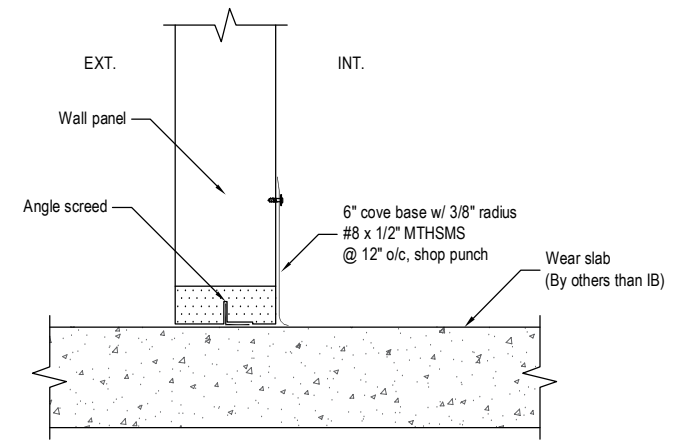
EDWARD DON & CO.
 AUBURN, WA
 MULTICARE GOOD SAMARITAN HOSPITAL
 PUYALLUP, WA

IMPERIAL BROWN
 196 SE 233rd Ave.
 Gresham, OR 97030
 Phone: 503-665-2338
 Fax: 503-665-2339
 www.imperial-brown.com

DO NOT SCALE THIS DRAWING
 SCALE: 3/16" = 1'-0"
 DATE DRAWN: 10/6/2025
 DATE PRINTED: 2/10/2026
 BY: David Lowe
 CHK'D BY:
 DRW#: 25-IB-19375-02
 BOX: 2 OF 3
 SHEET: 2 OF 3



NOTE: Wainscoting laid out to start 1/2" back @ interior corners and 1/8" @ exterior corners



1
3 OUTSIDE VERTICAL CLOSURE

2
3 48" HIGH WAINSCOTING

3
3 ANGLE SCREED

City of Puyallup
Development & Permitting Services
ISSUED PERMIT

Building	Planning
Engineering	Public Works
Fire	Traffic

25-IB-19375-02
25-IB-19375.03.02-06

PRMH20251506

REVISED SUBMITTALS

EDWARD DON & CO.
AUBURN, WA
MULTICARE GOOD SAMARITAN HOSPITAL
PUYALLUP, WA

IMPERIAL BROWN
196 SE 233rd Ave.
Gresham, OR 97030
Phone: 503-663-2338
Fax: 503-663-2338
www.imperial-brown.com

DO NOT SCALE THIS DRAWING
SCALE: 3/16" = 1'-0"
DATE DRAWN: 10/6/2025
DATE PRINTED: 2/10/2026
BY: David Lowe
CHK'D BY:
DRW#: 25-IB-19375-02
BOX: 2 OF 3
SHEET: 3 OF 3

SPECIFICATIONS

Indoor combo (with floors)
Vinyl foam NSF gasket (1/16" joint thickness), Cam-lock layout #4

SPECIAL INSTRUCTIONS

Standard crating

WALL PANELS

Construction: 4" high density urethane (R-32)
Exterior Finish: .040 stucco white aluminum / Stucco galvalume
Interior Finish: .040 stucco aluminum
Ceiling connections: Camlock
Floor connections: Camlock

CEILING PANELS

Construction: 5" high density urethane (R-40)
Exterior Finish: 26 ga. stucco galvalume
Interior Finish: .040 smooth white aluminum
Ceiling Caps: Factory mounted
Live Load: 10 psf

FLOOR PANELS

Model: Hand-Truck Floor panels model #HTFN (NSF)
Construction: 3 1/2" high density urethane (R-28)
w/ .100 aluminum diamond tread @ interior
over 3/4" plywood
w/ Metal @ exterior

Model: Pallet Jack Floor panels model #PJFN
Manual pallet jacks only, 2000 lb rolling load maximum capacity
Construction: 3 1/2" high density urethane (R-28)
w/ .100 aluminum diamond tread @ interior
over 3/4" plywood
w/ Fiberglass grating @ 24"
w/ Metal @ exterior

DOORS

[A]: 36" x 78" flush model G3 self-closing freezer door
*** ELECTRICAL COMPONENTS PRE-WIRED ***
Brand: Imperial Brown
Frame: 4" high density urethane (R-32), 3-sided
w/ .040 stucco white aluminum @ ext.
w/ .040 stucco aluminum @ int.
w/ 24 ga. stainless steel 430 (magnetic) liners
w/ 4-sided heat cable in frame [FL-4-114W]
(25'-5" x 5 ohms/ft (127 total) @ 4.5 W/ft + Pepi - 120V, 1A)
Leaf: 4" thick, 3-side lap, raised 1/4"
w/ .040 stucco white aluminum @ ext.
w/ .040 stucco aluminum @ int.
w/ Magnetic gasket
w/ 2 1/4" black neoprene sweep
(3) Component Hardware #W59 spring assisted adjustable hinge
(1) Kason #27C cylinder locking deadbolt handle
(1) Kason #27C twist-off knob inside release
(1) Kason 'PUSH' pad
(1) Kason #1094 hydraulic door closer (polished chrome)
(1) Weiss 24DT-L, single pole switch and thermometer combo @ ext.
(1) Terminal J-Box @ int.
(1) Kason 1832 heated air vent (23W, 120V, .2A)
(1) 14" x 14" heated (-20F) Norfab view window (12 3/4" x 12 3/4" viewing area) (50W, 120V, 0.42A)
(1) 12 ga. stainless steel 304 #2B threshold for interior ramp
48" high AFF .125 aluminum diamond tread kickplates (frame, ext. & int.)
48" high AFF .125 aluminum diamond tread kickplates (leaf, ext. & int.)

[B]: 48" x 78" flush model G3 self-closing freezer door
*** ELECTRICAL COMPONENTS PRE-WIRED ***
Brand: Imperial Brown
Frame: 4" high density urethane (R-32), 3-sided
w/ .040 stucco white aluminum @ ext.
w/ .040 stucco aluminum @ int.
w/ 24 ga. stainless steel 430 (magnetic) liners
w/ 4-sided heat cable in frame [FL-4-140W]
(29'-5" x 3.5 ohms/ft (103 total) @ 4.8 W/ft + Pepi - 120V, 1.2A)
Leaf: 4" thick, 3-side lap, raised 1/4"
w/ .040 stucco white aluminum @ ext.
w/ .040 stucco aluminum @ int.
w/ Magnetic gasket
w/ 2 1/4" black neoprene sweep
(3) Component Hardware #W59 spring assisted adjustable hinge
(1) Kason #27C cylinder locking deadbolt handle
(1) Kason #27C twist-off knob inside release
(1) Kason 'PUSH' pad
(1) Kason #1094 hydraulic door closer (polished chrome)
(1) Weiss 24DT-L, single pole switch and thermometer combo @ ext.
(1) Terminal J-Box @ int.
(1) Kason 1832 heated air vent (23W, 120V, .2A)
(1) 14" x 14" heated (-20F) Norfab view window (12 3/4" x 12 3/4" viewing area) (50W, 120V, 0.42A)
(1) 12 ga. stainless steel 304 #2B threshold for interior ramp
48" high AFF .125 aluminum diamond tread kickplates (frame, ext. & int.)
48" high AFF .125 aluminum diamond tread kickplates (leaf, ext. & int.)

[C],[D],[E],[F]:
24" x 24" non-PVC overlap reach-in freezer door
*** LEAF NOT RAISED FOR FLOORING ***
Brand: Imperial Brown
Frame: None
Leaf: 5" thick, 4-side lap, standard height
w/ 26 ga. stucco galvalume @ ext.
w/ .040 smooth white aluminum @ int.
w/ Magnetic gasket
w/ 4-sided heat cable in plug
Self-regulated heat wire @ leaf (120V, 0.9A max.)
(1) Pull Handle - Kason 27C with 1-5/8" offset (10027C00E04)
(1) 27C strike to be held on with nylon bolt in lieu of twist knob inside release
(2) Hinges - Kason 1241 double knuckle with 1-1/8" offset (chrome)

PARTS

(6) ea. 4' LED light fixture #LED-440079 for cooler or freezer application (65W, 120-277V, 0.6-0.3A)-2 in Freezer, 4 in General Freezer
(Fixture ships loose for field installation.)
(22) lin.ft. Fabricated out of .125 aluminum diamond tread
Cut and pre-drilled for field installation @ the exposed exterior 48" high wainscoting
(2) ea. (2" x 4") x 96" x .040 stucco white aluminum outside corner vertical closure
(2) ea. (2" x 4") x 48" x .040 stucco white aluminum outside corner vertical closure
(1) set .040 stucco white aluminum removable ceiling closure-Please Verify Closure Dimensions and Requirements
Estimated Cavity Size = 1' - 6" (18") high x 29' - 1 3/8" (349 3/8") long
18 ga. stainless steel 304 #4 liners for 24" x 24" ceiling opening
18 ga. stainless steel 304 #4 liners for 24" x 24" ceiling opening

REFRIGERATION

(1) ea. Freezer (Items #A22, A23) - Outdoor R454a split system w/ EconET
14730 BTU/H @ 9.3F TD, 13.6 hr runtime @ -10F inside/85F outside room
95F @ cond. unit, 0ft altitude
(1) Russell R454a water cooled condensing unit #RWON400L4AEA-NT
208-230V/3Ø/60Hz/4HP Scroll compressor
MCA=16, MOPD =30, AWEF:
43.875W x 32.8125D x 21.125H x 352lbs.
(1) Russell R454a Next-Gen All-Temp evaporator model #RAL6E079DDARSF
w/ (2) DSE motors (1A) & electric defrost (9.8A)
208-230V/1Ø/60Hz
43.625W x 15.5D x 18.125H x 471bs.
(1) Russell R454a Next-Gen All-Temp evaporator model #RAL6E079DDARSF
w/ (2) DSE motors (1A) & electric defrost (9.8A)
208-230V/1Ø/60Hz
43.625W x 15.5D x 18.125H x 471bs.
Includes
(1) ea. Russell water valve for water-cooled condensing units (4.0 to 4.5 HP)
(2) ea. Russell outside line check valve for Next-Gen All-Temp evaporators (1-4 fans)
(2) ea. Russell outside line solenoid valve for Next-Gen All-Temp evaporators (1-4 fans)

(2) ea. General Freezer (Items #A16, A17) - Outdoor R454a split system w/ EconET
25904 BTU/H @ 8.8F TD, 13.9 hr runtime @ -10F inside/85F outside room
95F @ cond. unit, 36ft altitude
(1) Russell R454a water cooled condensing unit #RWON350L4AEA-NT
208-230V/3Ø/60Hz/3.5HP Scroll compressor
MCA=15, MOPD =20, AWEF:
39.875W x 28.0625D x 21.125H x 255lbs.
(1) Russell R454a Next-Gen All-Temp evaporator model #RAL6E148DDARSF
w/ (3) DSE motors (1.5A) & electric defrost (14.3A)
208-230V/1Ø/60Hz
60.125W x 15.5D x 18.125H x 67lbs.
Includes
(1) ea. Russell water valve for water-cooled condensing units (2.5 to 3.5HP)
(1) ea. Russell outside line check valve for Next-Gen All-Temp evaporators (1-4 fans)
(1) ea. Russell outside line solenoid valve for Next-Gen All-Temp evaporators (1-4 fans)

SPECIAL PANELS

C3 w/ (2) ea. Opening in Ceilings section-For ceiling hatch
Size: 24" x 24"
Framed w/ 18 ga. stainless steel 304 #4 liners (shipped loose)
C6, C9 w/ (1) ea. Opening in Ceilings section-For ceiling hatch
Size: 24" x 24"
Framed w/ 18 ga. stainless steel 304 #4 liners (shipped loose)
F1, F11 w/ (1) ea. 36" deep model #PJFi interior ramp, heated

NOTES

Meets 2009 Federal Energy Independence and Security Act Requirements.
Meets 2021 Washington State Energy Code.
Min. R value freezer walls and ceilings R-32.
Min. R value freezer floors R-28.
Min. R value cooler walls and ceilings R-25.

STANDARD NOTES

To prevent condensation, a minimum 2" from the walk-in exterior surface is required. High humidity conditions may require force ventilation in addition to clearance.

Installation site floor must be true and level within 3/16" per 10' or additional costs may be incurred.

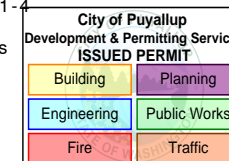
R-Plus Doors sliding and vertical lift doors shall not be considered means of egress. Check code egress requirements for your application.

ELECTRICAL

Field electrician to verify maximum acceptable load for light switches.If load is too high, then relay type controls should be used.
After wiring devices, ALL conduits must be sealed to stop moisture transfer through electrical raceways.
Failure to seal device per NEC codes WILL VOID WARRANTY.

REVISIONS

01 07/28/2025 Change Door [B] to 48"x78" swing door.
02 09/22/2025 Added Ceiling-Hatch [C][D][E][F], changes exterior ceiling finish and show evap-coils
03 10/01/2025 Show component views on interior ceiling-mounted hatches with hardware
04 02/03/2026 Updated refrigeration specs
05 02/09/2026 Updated access hatches

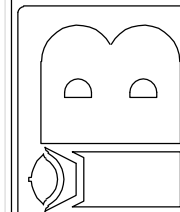


25-IB-19375-01
25-IB-19375.03.01-08

PRMH20251506

REVISED SUBMITTALS

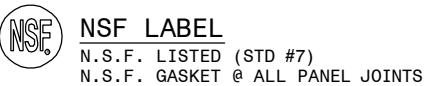
EDWARD DON & CO.
AUBURN, WA
MULTICARE GOOD SAMARITAN HOSPITAL
PUYALLUP, WA

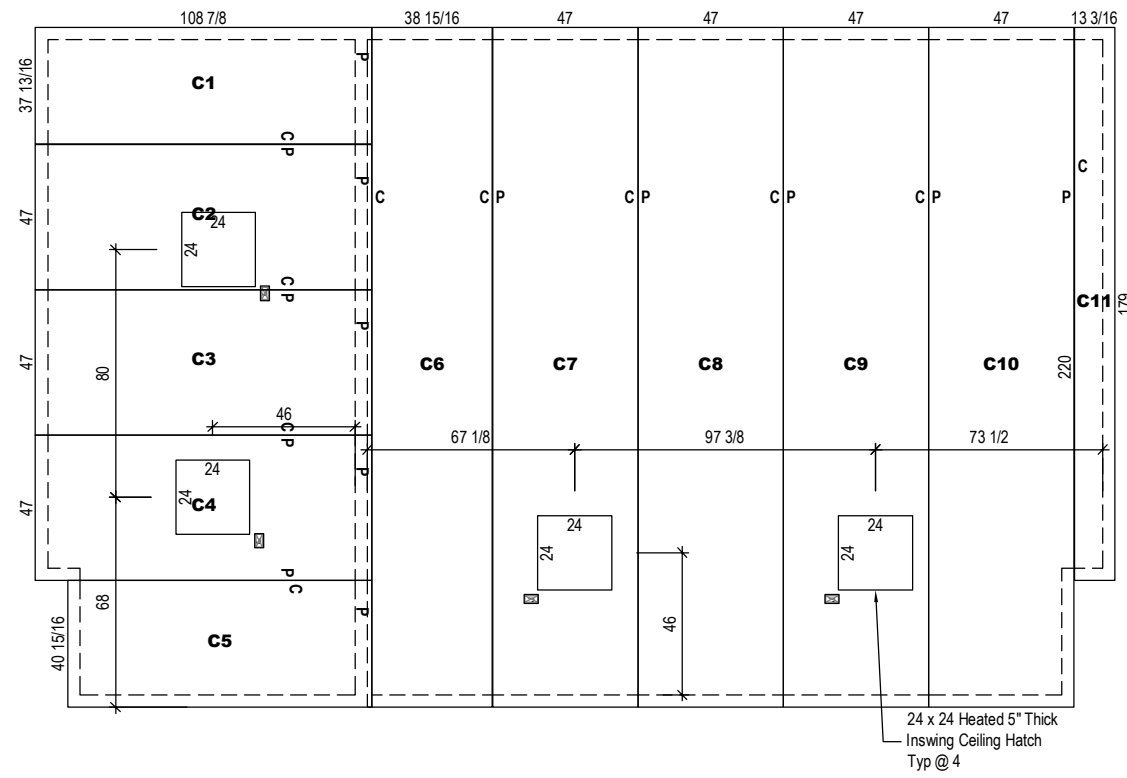


IMPERIAL BROWN
198 SE 233rd Ave
Gresham, OR 97030
Phone: 503-665-5539
Fax: 503-665-2329
www.imperial-brown.com

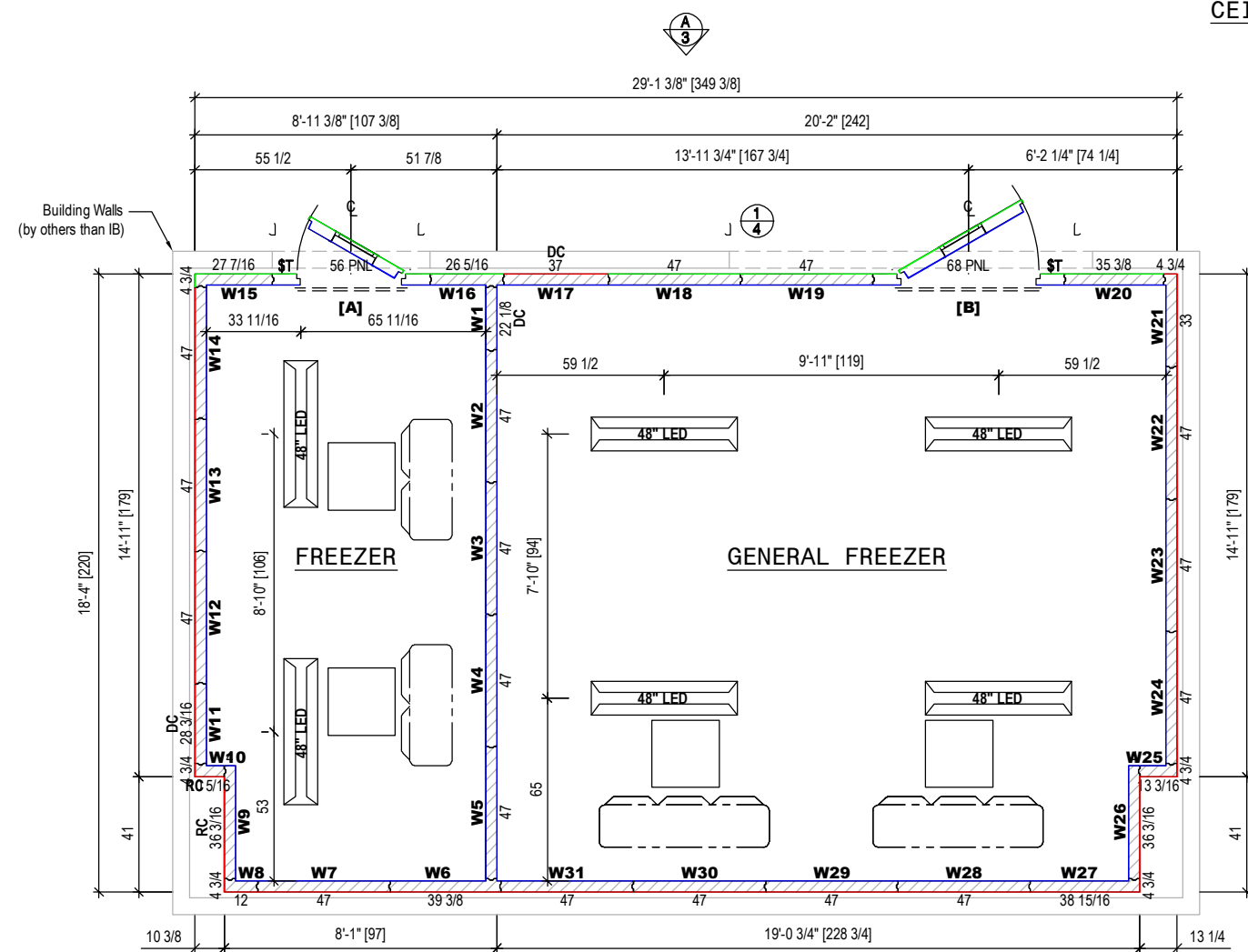
- SUBMITTAL DRAWING -
Customer Note: The Manufacturer's responsibility is limited to manufacturing this product in accordance with these drawings. The customer or their representative in signing these drawings is taking responsibility for overall size and fit around building walls, columns and ceiling restrictions, door locations, openings for equipment supplied by others, specifications and accessories listed. Production will not begin until these drawings are approved.
 APPROVED FOR FABRICATION WITH NO CHANGES
 APPROVED FOR FABRICATION WITH CHANGES
 REVISE AND RESUBMIT
Signature: _____
 E-mail me "For Construction" drawings.

DO NOT SCALE THIS DRAWING
SCALE: 3/16" = 1'-0"
DATE DRAWN: 10/6/2025
DATE PRINTED: 2/9/2026
BY: David Lowe
CHK'D BY:
DRW#: 25-IB-19375-01
BOX: 1 OF 3
SHEET: 1 OF 5





CEILING PANELS



WALL PANELS

NOTES-LIGHT FIXTURE LAYOUT
 Fixture layout provided as REFERENCE only. Installation is to be determined by others than Imperial Brown.

- Stucco galvalume
- .040 stucco white aluminum
- .040 stucco aluminum

- CONSTRUCTION LEGEND:**
- 5" high density urethane (R-40)
 - 4" high density urethane (R-32)
 - 3 1/2" high density urethane (R-28)

City of Puyallup
 Development & Permitting Services
ISSUED PERMIT

Building	Planning
Engineering	Public Works
Fire	Traffic

25-IB-19375-01
25-IB-19375.03.01-08

PRMH20251506

REVISED SUBMITTALS

EDWARD DON & CO.
 AUBURN, WA
 MULTICARE GOOD SAMARITAN HOSPITAL
 PUYALLUP, WA

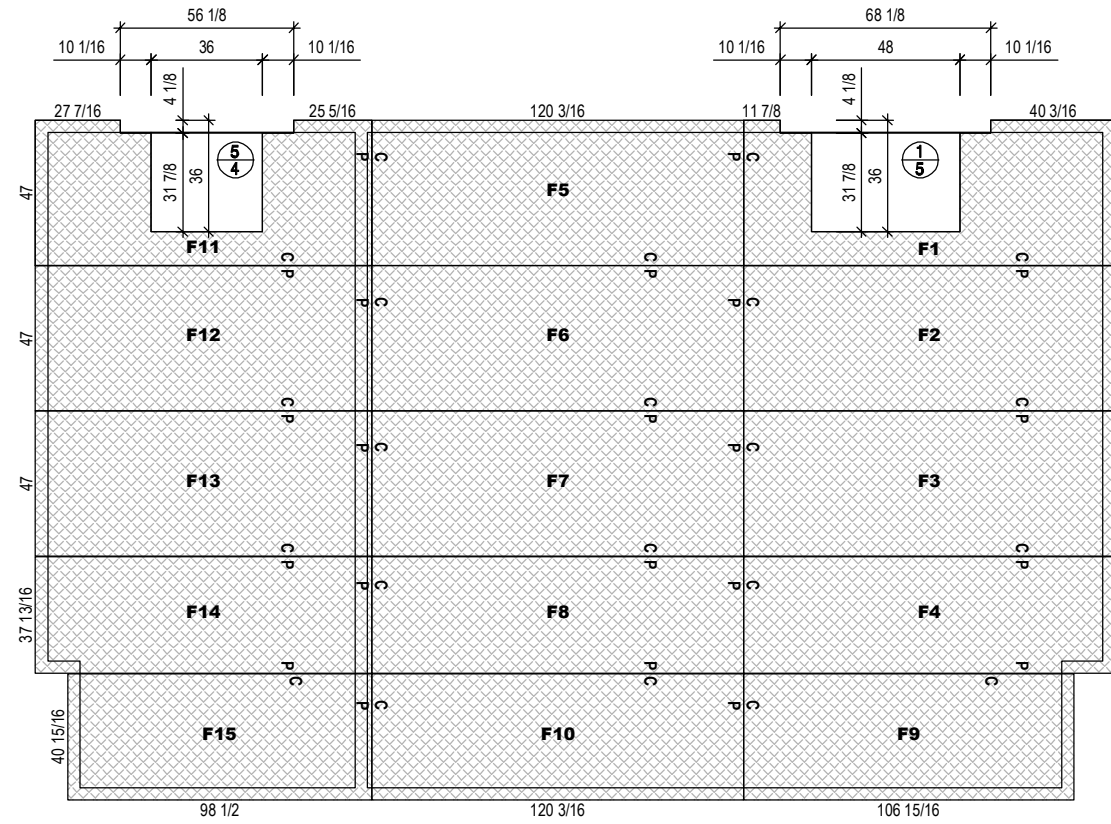
IMPERIAL BROWN
 198 SE 233rd Ave
 Gresham, OR 97030
 Phone: 503-665-5639
 Fax: 503-665-2329
 www.imperial-brown.com

DO NOT SCALE THIS DRAWING

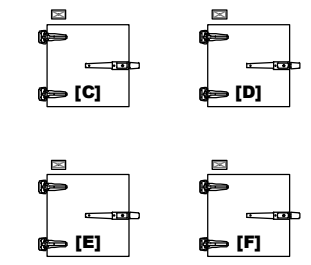
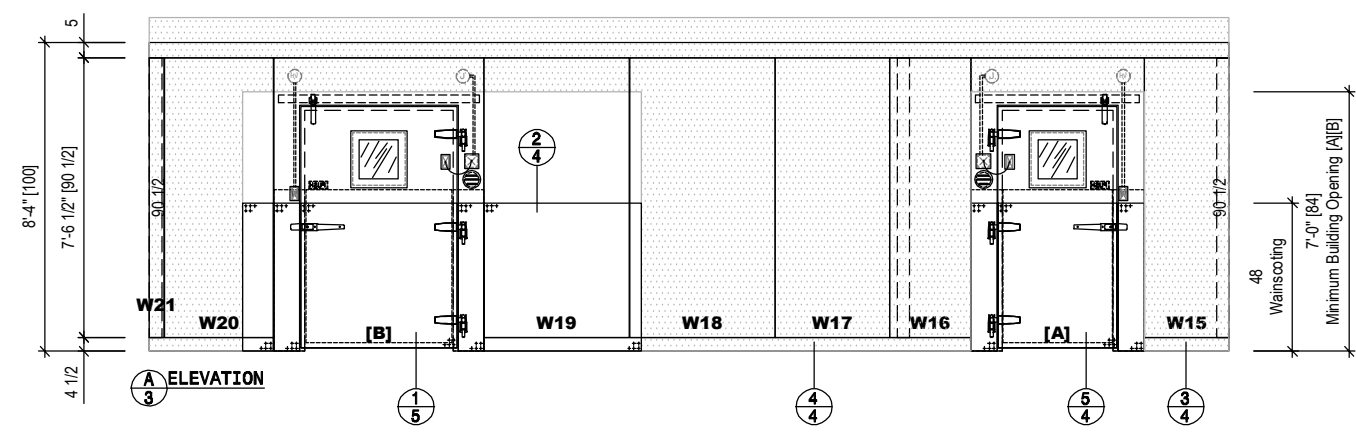
SCALE: 3/16" = 1'-0"

DATE DRAWN: 10/6/2025
 DATE PRINTED: 2/9/2026
 BY: David Lowe
 CHK'D BY:

DRW#: **25-IB-19375-01**
 BOX: 1 OF 3
 SHEET: 2 OF 5



FLOOR PANELS



COMPONENT LOCATIONS

City of Puyallup
Development & Permitting Services
ISSUED PERMIT

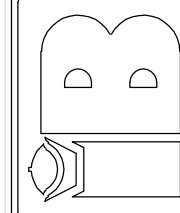
Building	Planning
Engineering	Public Works
Fire	Traffic

25-IB-19375-01
25-IB-19375.03.01-08

PRMH20251506

REVISED SUBMITTALS

EDWARD DON & CO.
AUBURN, WA
MULTICARE GOOD SAMARITAN HOSPITAL
PUYALLUP, WA



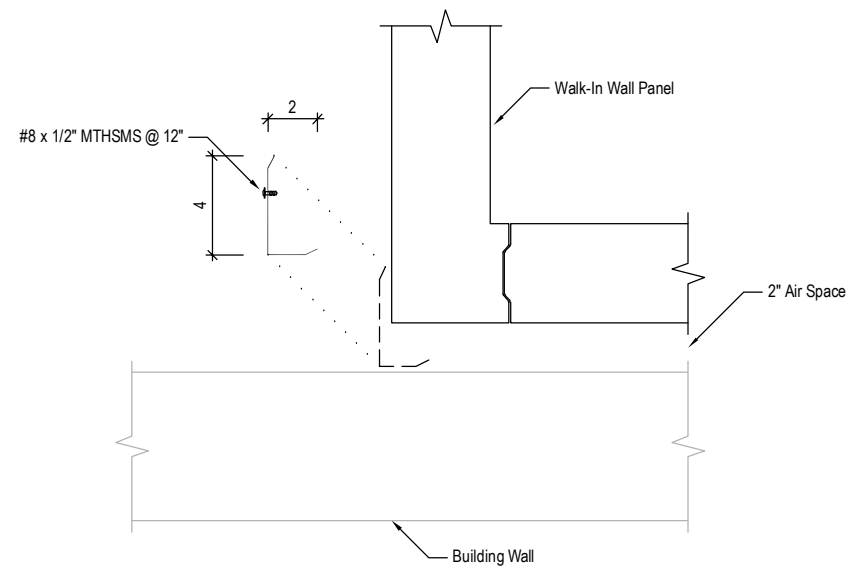
IMPERIAL BROWN
198 SE 233rd Ave
Gresham, OR 97030
Phone: 503-665-5539
Fax: 503-665-2329
www.imperial-brown.com

DO NOT SCALE THIS DRAWING

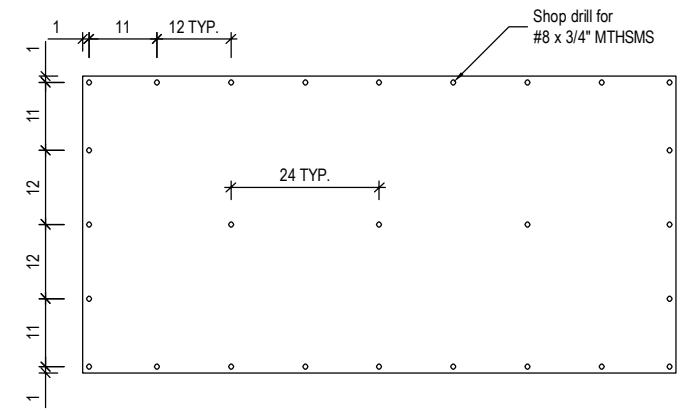
SCALE: 3/16" = 1'-0"

DATE DRAWN: 10/6/2025
DATE PRINTED: 2/9/2026
BY: David Lowe
CHK'D BY:

DRW#: **25-IB-19375-01**
BOX: 1 OF 3
SHEET: 3 OF 5

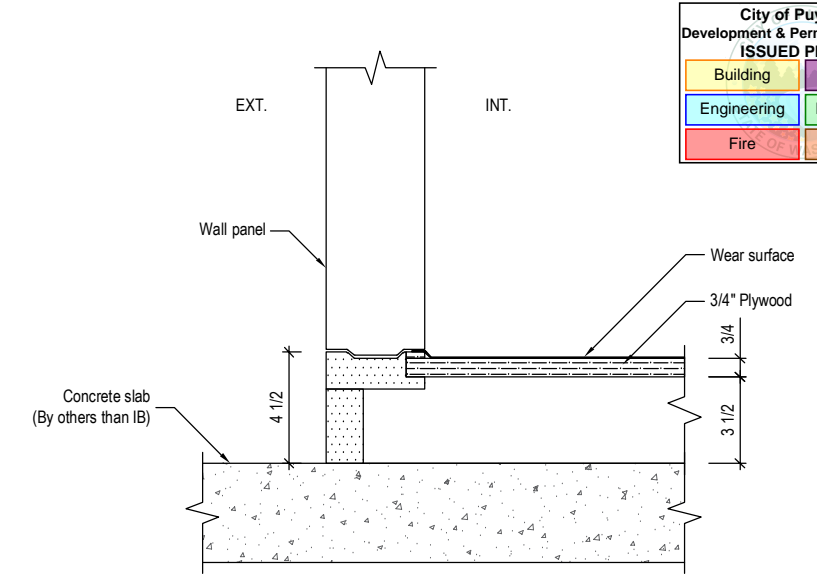


1 OUTSIDE VERTICAL CLOSURE
4

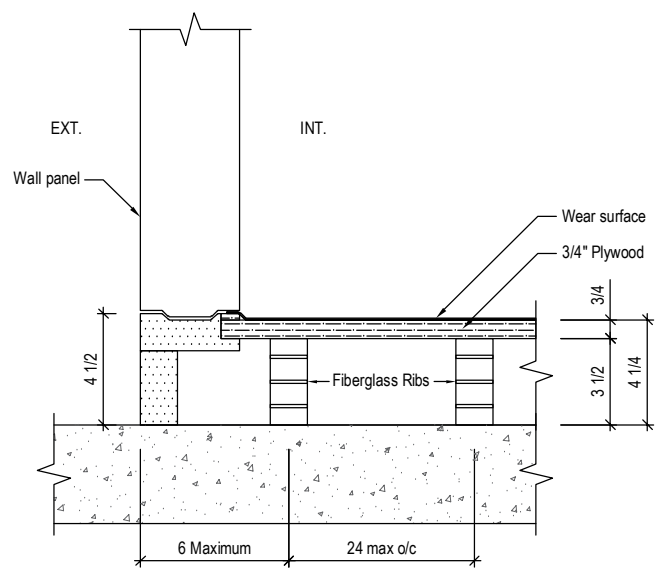


NOTE: Wainscoting laid out to start 1/2\"/>

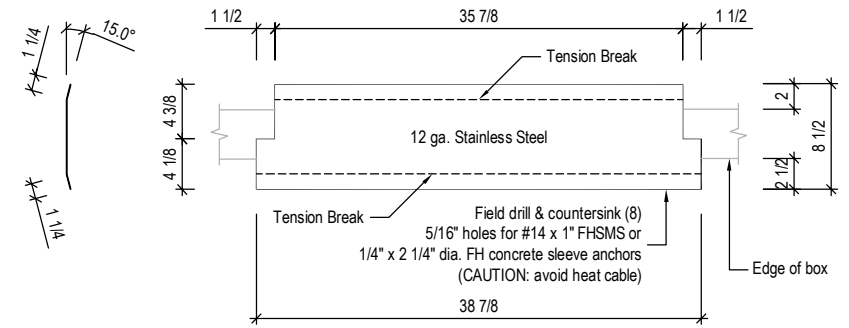
2 48\"/>



3 3 1/2\"/>

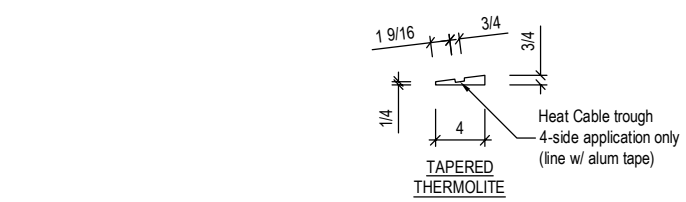
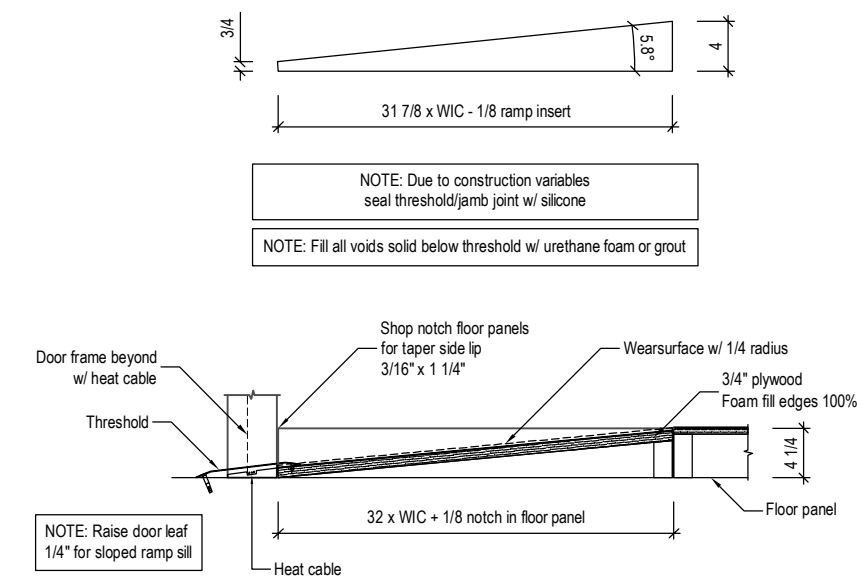


4 3 1/2\"/>



NOTE: Due to construction variables seal threshold/jamb joint w/ silicone

5 36\"/>



25-IB-19375-01
25-IB-19375.03.01-08
PRMH20251506
REVISED SUBMITTALS

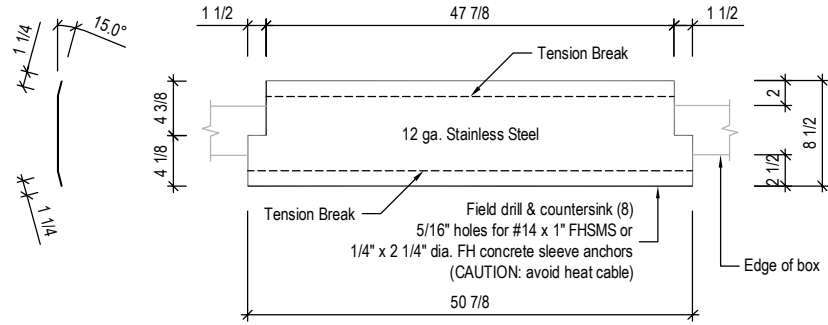
City of Puyallup Development & Permitting Services ISSUED PERMIT	
Building	Planning
Engineering	Public Works
Fire	Traffic

EDWARD DON & CO.
AUBURN, WA
MULTICARE GOOD SAMARITAN HOSPITAL
PUYALLUP, WA

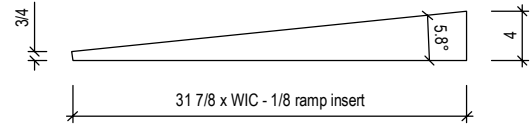
IB
IMPERIAL BROWN
198 SE 233rd Ave
Gresham, OR 97030
Phone: 503-665-5639
Fax: 503-665-2929
www.imperial-brown.com

DO NOT SCALE THIS DRAWING
SCALE: 3/16" = 1'-0"
DATE DRAWN: 10/6/2025
DATE PRINTED: 2/9/2026
BY: David Lowe
CHK'D BY:
DRW#: 25-IB-19375-01
BOX: 1 OF 3
SHEET: 4 OF 5

1 36" INTERIOR RAMP
5 G3 Flush Door
 General Freezer

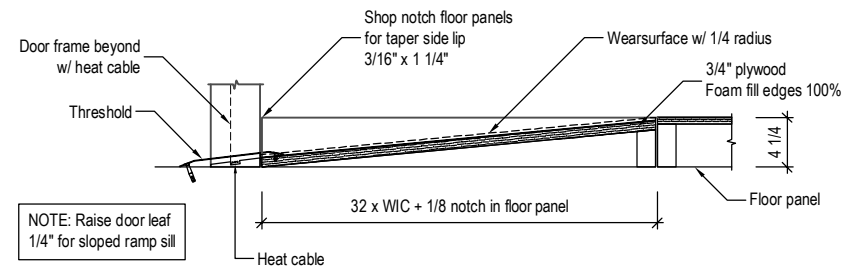


NOTE: Due to construction variables seal threshold/jamb joint w/ silicone

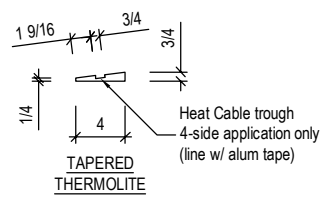


NOTE: Due to construction variables seal threshold/jamb joint w/ silicone

NOTE: Fill all voids solid below threshold w/ urethane foam or grout



NOTE: Raise door leaf 1/4" for sloped ramp sill



City of Puyallup
 Development & Permitting Services
ISSUED PERMIT

Building	Planning
Engineering	Public Works
Fire	Traffic

25-IB-19375-01
 25-IB-19375.03.01-08

PRMH20251506

REVISED SUBMITTALS

EDWARD DON & CO.
 AUBURN, WA
 MULTICARE GOOD SAMARITAN HOSPITAL
 PUYALLUP, WA

IMPERIAL BROWN
 198 SE 233rd Ave
 Gresham, OR 97030
 Phone: 503-665-5638
 Fax: 503-665-2329
 www.imperial-brown.com

DO NOT SCALE THIS DRAWING

SCALE: 3/16" = 1'-0"

DATE DRAWN: 10/6/2025
 DATE PRINTED: 2/9/2026
 BY: David Lowe
 CHK'D BY:

DRW#: **25-IB-19375-01**
 BOX: 1 OF 3
 SHEET: 5 OF 5

SPECIFICATIONS

Indoor in process cooler (+35°F) (no floor)
Vinyl NSF gasket (1/16" joint thickness), Cam-lock layout SN1

SPECIAL INSTRUCTIONS

Standard crating

WALL PANELS

Construction: 4" urethane (R-32)
Exterior Finish: .040 stucco white aluminum / Stucco galvalume
Interior Finish: .040 stucco aluminum
Ceiling connections: Camlock
Floor connections: Vinyl track, Grey, 4"

CEILING PANELS

Construction: 4" high density urethane (R-32)
Exterior Finish: Stucco galvalume
Interior Finish: .040 smooth white aluminum
Ceiling Caps: Factory mounted
Live Load: 10 psf

DOORS

[A]: 36" x 78" flush model G3 self-closing cooler door
*** ELECTRICAL COMPONENTS PRE-WIRED ***
*** LEAF NOT RAISED FOR FLOORING ***
Brand: Imperial Brown
Frame: 4" high density urethane (R-32), 3-sided
w/ .040 stucco white aluminum @ ext.
w/ .040 stucco aluminum @ int.
w/ 24 ga. stainless steel 430 (magnetic) liners
Leaf: 4" thick, 3-side lap, standard height
w/ .040 stucco white aluminum @ ext.
w/ .040 stucco aluminum @ int.
w/ Magnetic gasket
w/ 2 1/4" black neoprene sweep
(3) Component Hardware #W59 spring assisted adjustable hinge
(1) Kason #27C cylinder locking deadbolt handle
(1) Kason #27C twist-off knob inside release
(1) Kason 'PUSH' pad
(1) Kason #1094 hydraulic door closer (polished chrome)
(1) Weiss 24DT-L, single pole switch and thermometer combo @ ext.
(1) Terminal J-Box @ int.
(1) 14" x 14" heated (-20F) Norfab view window (12 3/4" x 12 3/4" viewing area) (50W, 120V, 0.42A)
48" high AFF .125 aluminum diamond tread kickplates (frame, ext. & int.)
48" high AFF .125 aluminum diamond tread kickplates (leaf, ext. & int.)

[B],[C]:

24" x 24" non-PVC overlap reach-in cooler door
*** LEAF NOT RAISED FOR FLOORING ***
Brand: Imperial Brown
Frame: None
Leaf: 4" thick, 4-side lap, standard height
w/ 26 ga. stucco galvalume @ ext.
w/ .040 smooth white aluminum @ int.
w/ Magnetic gasket
(1) Pull Handle - Kason 27C with 1-5/8" offset (10027C00E04)
(1) 27C strike to be held on with bolt in lieu of twist knob inside release
(2) Hinges - Kason 1241 double knuckle with 1-1/8" offset (chrome)

PARTS

(3) ea. 4' LED light fixture #LED-440079 for cooler or freezer application (65W, 120-277V, 0.6-0.3A)-(Fixture ships loose for field installation.)
(1) ea. Normal temp Chase Doors strip curtain for 36" x 78" net opening-w/ 6" strips @ 33.00% overlap
(18) lin.ft. Fabricated out of .125 aluminum diamond tread
Cut and pre-drilled for field installation @ the exposed exterior 48" high wainscoting
(1) ea. (2" x 4") x 96" x .040 stucco aluminum outside corner vertical closure
(1) ea. (2" x 4") x 48" x .040 stucco aluminum outside corner vertical closure
(1) ea. 6" x 96" x .040 stucco aluminum flat vertical closure
(1) ea. 6" x 48" x .040 stucco aluminum flat vertical closure
(1) set .040 stucco aluminum removable ceiling closure-Please Verify Closure
Dimensions and Requirements
Estimated Cavity Size = 1' - 6" (18") high x 22' - 1" (265") long
18 ga. stainless steel 304 #4 liners for 24" x 24" ceiling opening
18 ga. stainless steel 304 #4 liners for 24" x 24" ceiling opening

REFRIGERATION

(1) ea. In Process Cooler (ITEMS #D56, D57) - Outdoor R454a split system w/ EcoNET
12639 BTU/H @ 10.2F TD, 15 hr runtime @ 35F inside/85F outside room
95F @ cond. unit, 36ft altitude
(1) Russell R454a water cooled condensing unit #RWON150E4AEA-NT
208-230V/3ø/60Hz/1.5HP Scroll compressor
MCA=15, MOPD =20, AWEF:
39.875W x 28.0625D x 19.875H x 205lbs.
(1) Russell R454a Next-Gen All-Temp evaporator model #RAL6A062ADARSF
w/ (1) DSE motors (0.8A) & air defrost
115V/1ø/60Hz
27.125W x 15.5D x 18.125H x 39lbs.
(1) Russell R454a Next-Gen All-Temp evaporator model #RAL6A062ADARSF
w/ (1) DSE motors (0.8A) & air defrost
115V/1ø/60Hz
27.125W x 15.5D x 18.125H x 39lbs.
Includes
(1) ea. Russell water valve for water-cooled condensing units (0.5 to 2.0 HP)
(2) ea. Russell outside line check valve for Next-Gen All-Temp evaporators (1-4 fans)
(2) ea. Russell outside line solenoid valve for Next-Gen All-Temp evaporators (1-4 fans)

SPECIAL PANELS

C1 w/ (1) ea. Opening in Ceilings section-For ceiling hatch
Size: 24" x 24"
Framed w/ 18 ga. stainless steel 304 #4 liners (shipped loose)
C5 w/ (1) ea. Opening in Ceilings section-For ceiling hatch
Size: 24" x 24"
Framed w/ 18 ga. stainless steel 304 #4 liners (shipped loose)

NOTES

Meets 2009 Federal Energy Independence and Security Act Requirements.
Meets 2021 Washington State Energy Code.
Min. R value freezer walls and ceilings R-32.
Min. R value freezer floors R-28.
Min. R value cooler walls and ceilings R-25.

STANDARD NOTES

To prevent condensation, a minimum 2" from the walk-in exterior surface is required. High humidity conditions may require force ventilation in addition to clearance.

Installation site floor must be true and level within 3/16" per 10' or additional costs may be incurred.

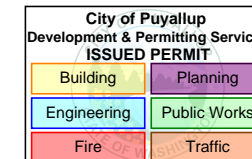
R-Plus Doors sliding and vertical lift doors shall not be considered means of egress. Check code egress requirements for your application.

ELECTRICAL

Field electrician to verify maximum acceptable load for light switches.If load is too high, then relay type controls should be used.
After wiring devices, ALL conduits must be sealed to stop moisture transfer through electrical raceways.
Failure to seal device per NEC codes WILL VOID WARRANTY.

REVISIONS

01 09/22/2025 Added Ceiling-Hatch [B][C], changes exterior ceiling finish and show evap-coils
02 10/01/2025 Show component views on interior ceiling-mounted hatches with hardware



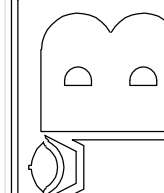
25-IB-19375-03

25-IB-19375.03.03-05

PRMH20251506

REVISED SUBMITTALS

EDWARD DON & CO.
AUBURN, WA
MULTICARE GOOD SAMARITAN HOSPITAL
PUYALLUP, WA



IMPERIAL BROWN
198 SE 233rd Ave
Gresham, OR 97030
Phone: 503-665-5639
Fax: 503-665-2929
www.imperial-brown.com

- SUBMITTAL DRAWING -

Customer Note: The Manufacturer's responsibility is limited to manufacturing this product in accordance with these drawings. The customer or their representative in signing these drawings is taking responsibility for overall size and fit around building walls, columns and ceiling restrictions, door locations, openings for equipment supplied by others, specifications and accessories listed. Production will not begin until these drawings are approved.

- APPROVED FOR FABRICATION WITH NO CHANGES
- APPROVED FOR FABRICATION WITH CHANGES
- REVISE AND RESUBMIT

Signature: _____

E-mail me "For Construction" drawings.

DO NOT SCALE THIS DRAWING

SCALE: 3/16" = 1'-0"

DATE DRAWN: 10/6/2025

DATE PRINTED: 2/10/2026

BY: David Lowe

CHK'D BY:

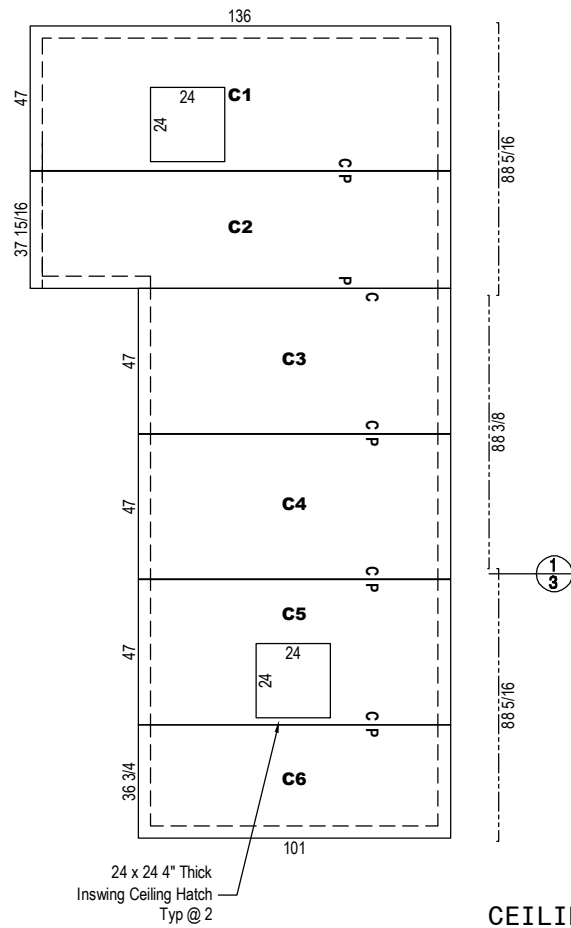
DRW#: **25-IB-19375-03**

BOX: 3 OF 3

SHEET: 1 OF 3

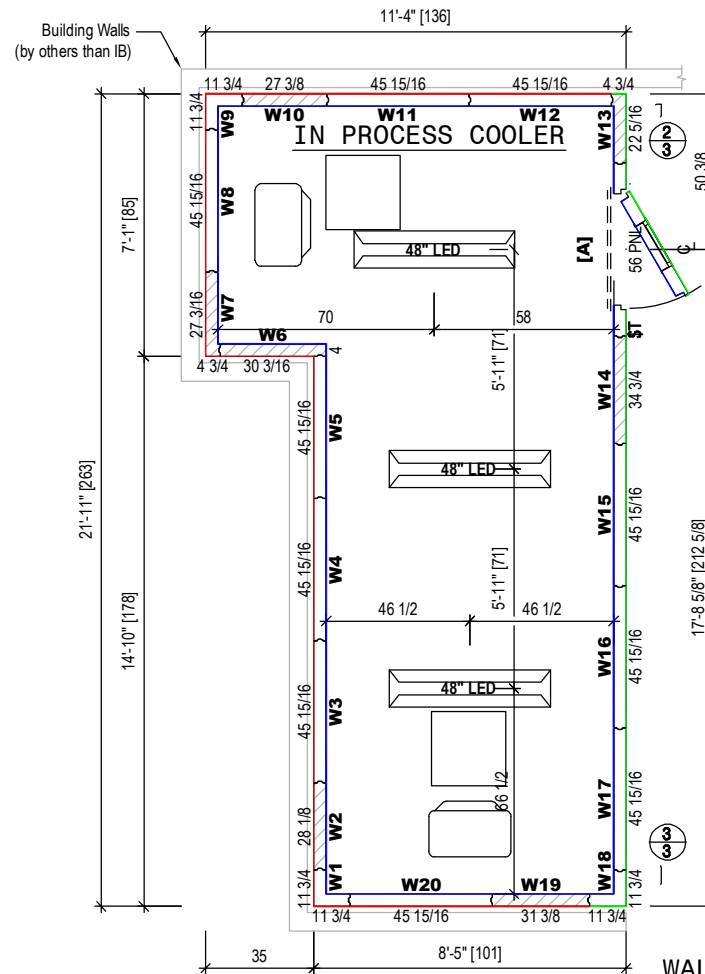


NSF LABEL
N.S.F. LISTED (STD #7)
N.S.F. GASKET @ ALL PANEL JOINTS



CEILING PANELS

24 x 24 4" Thick
Inswing Ceiling Hatch
Typ @ 2

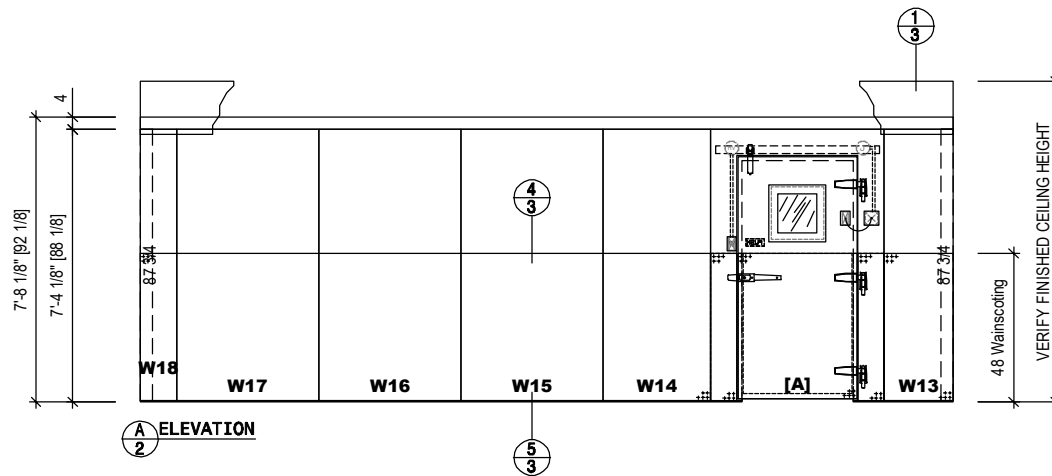


WALL PANELS

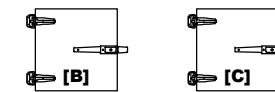
- Stucco galvalume
- .040 stucco white aluminum
- .040 stucco aluminum

NOTES-LIGHT FIXTURE LAYOUT

Fixture layout provided as REFERENCE only. Installation is to be determined by others than Imperial Brown.



ELEVATION



COMPONENT LOCATIONS

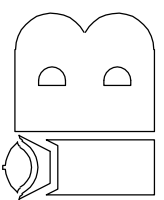
City of Puyallup Development & Permitting Services ISSUED PERMIT	
Building	Planning
Engineering	Public Works
Fire	Traffic

25-IB-19375-03
25-IB-19375.03.03-05

PRMH20251506

REVISED SUBMITTALS

EDWARD DON & CO.
AUBURN, WA
MULTICARE GOOD SAMARITAN HOSPITAL
PUYALLUP, WA



IMPERIAL BROWN
198 SE 233rd Ave
Gresham, OR 97030
Phone: 503-665-5638
Fax: 503-665-2329
www.imperial-brown.com

DO NOT SCALE THIS DRAWING

SCALE: 3/16" = 1'-0"

DATE DRAWN: 10/6/2025

DATE PRINTED: 2/10/2026

BY: David Lowe

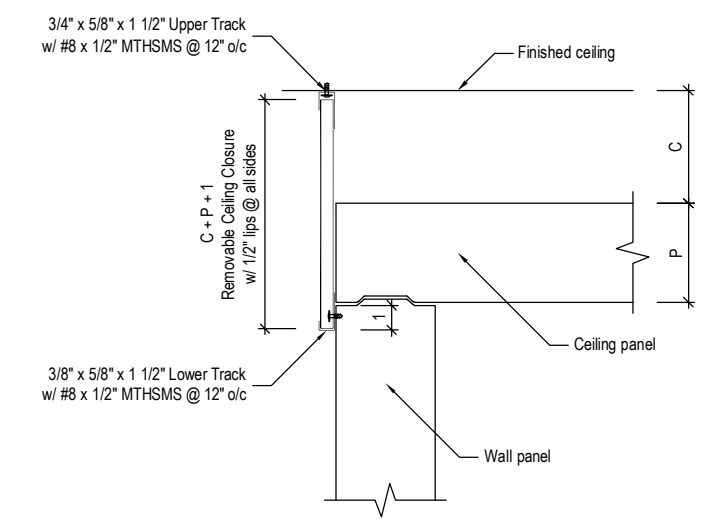
CHK'D BY:

DRW#: **25-IB-19375-03**

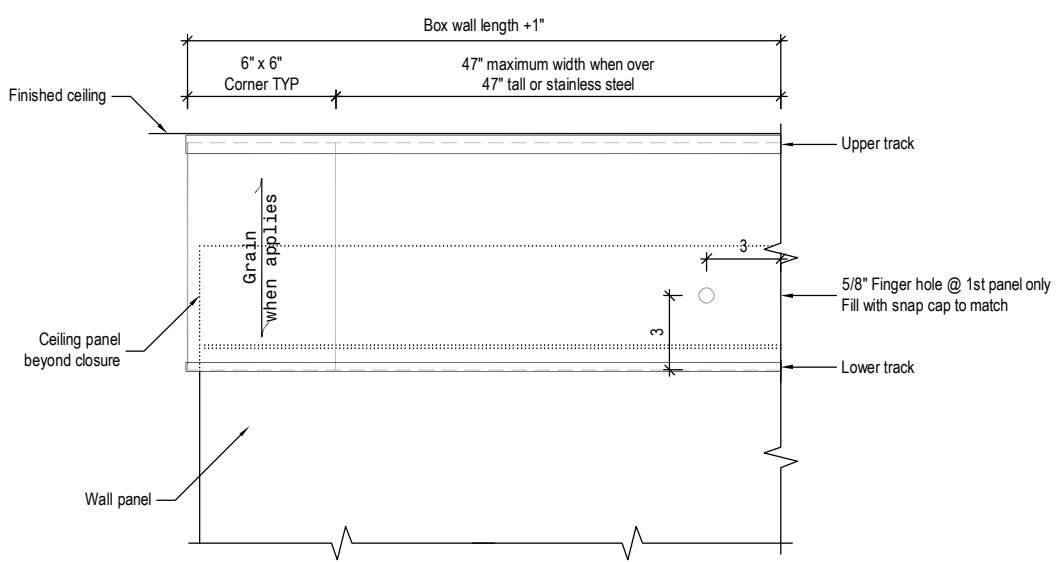
BOX: 3 OF 3

SHEET: 2 OF 3

CONSTRUCTION LEGEND:
 4" urethane (R-32)
 4" high density urethane (R-32)



SECTION VIEW



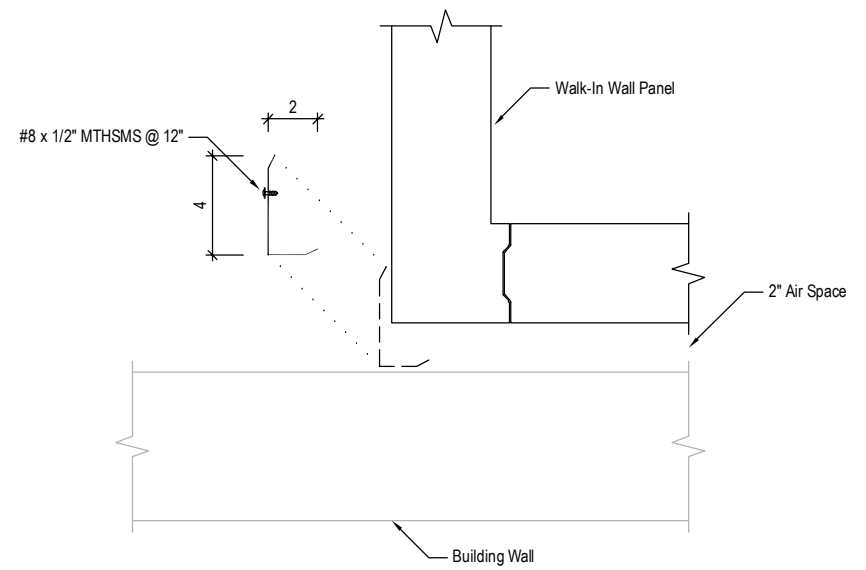
FRONT VIEW

CAUTION: If ceiling height is not provided closures will be back ordered and shipped later additional freight charges will be charged

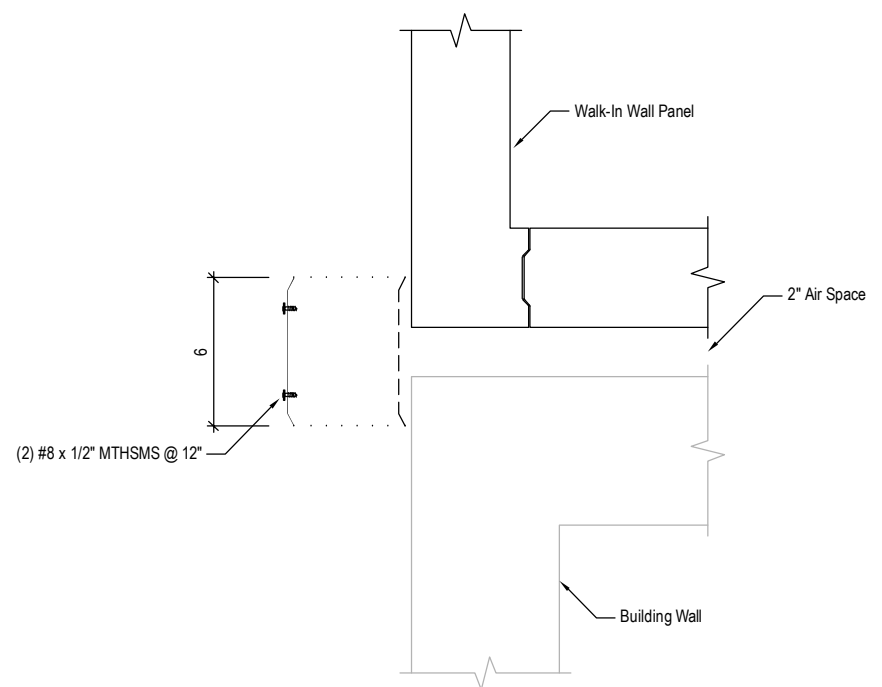
1 REMOVABLE CEILING CLOSURE

City of Puyallup
Development & Permitting Services
ISSUED PERMIT

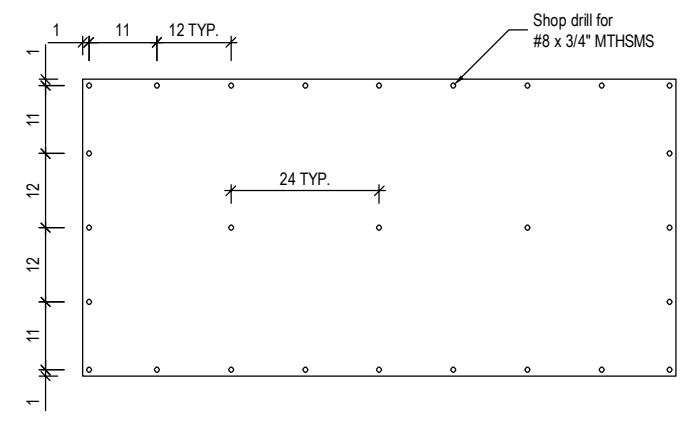
Building	Planning
Engineering	Public Works
Fire	Traffic



2 OUTSIDE VERTICAL CLOSURE

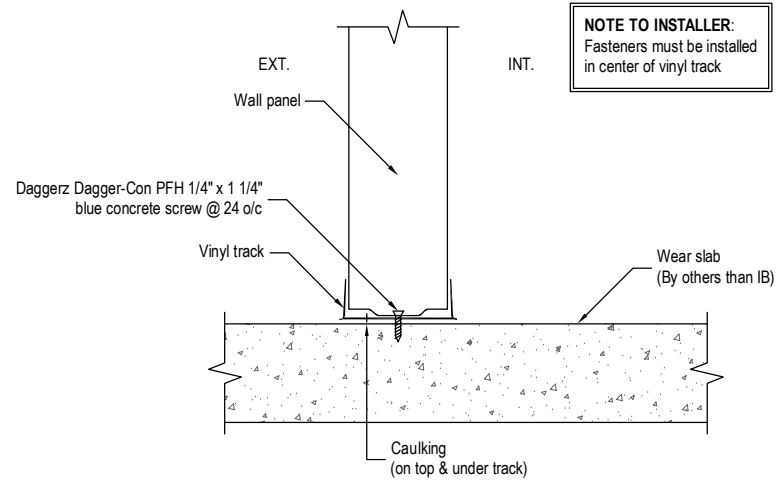


3 FLAT VERTICAL CLOSURE



NOTE: Wainscoting laid out to start 1/2\"/>

4 48" HIGH WAINSCOTING



5 VINYL TRACK

25-IB-19375-03
25-IB-19375.03.03-05

PRMH20251506

REVISED SUBMITTALS

EDWARD DON & CO.
AUBURN, WA
MULTICARE GOOD SAMARITAN HOSPITAL
PUYALLUP, WA

IMPERIAL BROWN
198 SE 233rd Ave
Gresham, OR 97030
Phone: 503-665-5638
Fax: 503-665-2329
www.imperial-brown.com

DO NOT SCALE THIS DRAWING

SCALE: 3/16" = 1'-0"

DATE DRAWN: 10/6/2025
DATE PRINTED: 2/10/2026
BY: David Lowe
CHK'D BY:

DRW#: **25-IB-19375-03**
BOX: 3 OF 3
SHEET: 3 OF 3