



Construction Stormwater General Permit (CSWGP)

Stormwater Pollution Prevention Plan (SWPPP)

for

Installation of Electric Vehicle Charging Infrastructure WM Supercenter #2403.1006

Prepared for:
Department of Ecology
Southwest Region Office

Permittee / Owner	Developer	Operator / Contractor
Walmart 2608 SE J Street Bentonville, AR 72716 (479) 925-0168	Walmart 2608 SE J Street Bentonville, AR 72716 (479) 925-0168	[TBD]

310 31st Ave SE, Puyallup, WA 98374

Certified Erosion and Sediment Control Lead (CESCL)

Name	Organization	Contact Phone Number
[TBD]	[TBD]	[TBD]

SWPPP Prepared By

Name	Organization	Contact Phone Number
Maeve Moening	Kimley-Horn and Associates	(425) 276-2728

SWPPP Preparation Date

02 / 05 / 2026

Project Construction Dates

Activity / Phase	Start Date	End Date
Construction	05 / 01 / 2026	08 / 01 / 2026

List of Acronyms and Abbreviations

Acronym / Abbreviation	Explanation
303(d)	Section of the Clean Water Act pertaining to Impaired Waterbodies
BFO	Bellingham Field Office of the Department of Ecology
BMP(s)	Best Management Practice(s)
CESCL	Certified Erosion and Sediment Control Lead
CO₂	Carbon Dioxide
CRO	Central Regional Office of the Department of Ecology
CSWGP	Construction Stormwater General Permit
CWA	Clean Water Act
DMR	Discharge Monitoring Report
DO	Dissolved Oxygen
Ecology	Washington State Department of Ecology
EPA	United States Environmental Protection Agency
ERO	Eastern Regional Office of the Department of Ecology
ERTS	Environmental Report Tracking System
ESC	Erosion and Sediment Control
GULD	General Use Level Designation
NPDES	National Pollutant Discharge Elimination System
NTU	Nephelometric Turbidity Units
NWRO	Northwest Regional Office of the Department of Ecology
pH	Power of Hydrogen
RCW	Revised Code of Washington
SPCC	Spill Prevention, Control, and Countermeasure
su	Standard Units
SWMMEW	Stormwater Management Manual for Eastern Washington
SWMMWW	Stormwater Management Manual for Western Washington
SWPPP	Stormwater Pollution Prevention Plan
TESC	Temporary Erosion and Sediment Control
SWRO	Southwest Regional Office of the Department of Ecology
TMDL	Total Maximum Daily Load
VFO	Vancouver Field Office of the Department of Ecology
WAC	Washington Administrative Code
WSDOT	Washington Department of Transportation
WWHM	Western Washington Hydrology Model

Project Information (1.0)

Project/Site Name: Installation of Electric Vehicle Charging Infrastructure WM Supercenter #2403.1006

Street/Location: 310 31st Ave SE

City: Puyallup

State: WA

Zip Code: 98374

Subdivision: N/A

Receiving waterbody: Bradley Lake

Existing Conditions (1.1)

Total acreage (including support activities such as off-site equipment staging yards, material storage areas, and borrow areas).

Total acreage: Approximately 13.98 acres

Disturbed acreage: Approximately 0.27 acres

Existing structures: The site consists of an existing Walmart Supercenter building, with a total building area of approximately 200,364 SF. Additionally, existing utility infrastructure and services exist onsite. There is permanent existing stormwater infrastructure on site, this permanent structures such as catch basins, manholes, underground drainage field, roof drains, and storm pipes for conveyance.

Landscape topography: The site is relatively flat with slopes ranging between 0% and 5% and generally slopes from west to east. The existing site consists of a Walmart Supercenter, a parking lot and adjacent commercial developments. The elevation of the site ranges from approximately 338 feet to 446 feet. The areas to the north, south, and west are developed commercial properties, while the area to the east remains undeveloped and is part of Bradely Lake Park.

Drainage patterns: The stormwater runoff from the existing roadways and parking lot areas sheet flows into stormwater catch basins on-site located throughout the property. Once captured in existing catch basins, runoff is conveyed storm drain pipes to the existing underground drainage field for full infiltration through perforated pipes. In the case of an extreme stormwater event, the underground drainage field's emergency overflow route directs excess runoff to outfall at Bradley Lake, located just off the property.

Existing Vegetation: The existing vegetation conditions of the site consist of landscaped parking islands and exterior landscaping.

Critical Areas (wetlands, streams, high erosion risk, steep or difficult-to-stabilize slopes):

No critical areas or wetlands exist onsite. A regulated floodplain with Zone X (shaded) designation is located on the south side of the site. Adjacent to the property is Bradley Lake Park, which includes the wetland known as Bradley Lake, also in Flood Zone X. Both areas have a 0.2% annual chance flood hazard.

List of known impairments for 303(d) listed or Total Maximum Daily Load (TMDL) for the receiving waterbody:

The Total Maximum Daily Load (TMDL) for Puyallup River includes the following pollutants: BOD₅, Ammonia-N, chlorine, dissolved oxygen, and bacteria.

Proposed Construction Activities (1.2)

Description of site development:

The proposed project will provide public electric vehicle (EV) charging stations for the existing Walmart Supercenter located at this site. The extent of design for this project includes the EV charging stations and their accompanying civil and electrical infrastructure. This includes the demolition of existing surfaces for the installation of the EV chargers, regrading of surfaces to comply with ADA requirements, and installation of electrical equipment, sign posts, and pipe bollards. The proposed project will disturb approximately 0.26 acres; however, the total site area, including undisturbed land within the property boundaries, amounts to approximately 13.98 acres.

Description of construction activities (example: site preparation, demolition, excavation):

The construction activities include Temporary Erosion and Sediment Control (TESC) implementation, demolition, grading, paving, and installation of electric vehicle charging infrastructure.

Description of site drainage including flow from and onto adjacent properties:

The existing drainage patterns will be maintained with no adjustments to the existing natural discharge location. The stormwater design intent of the project is to produce minimal impact on the adjacent properties and public drainage system, while also maintaining positive drainage from the project area into the existing off-site conveyance system. Stormwater on the site will sheet flow off proposed hardscape areas into existing catch basins where stormwater is conveyed to the drainage field for full infiltration.

Description of final stabilization (example: extent of revegetation, paving, landscaping):

Final stabilization will include paving of roadways and seeding/sodding of landscape areas.

Proposed activities regarding contaminated soils or groundwater (example: on-site treatment system, authorized sanitary sewer discharge):

There are no known contaminated soils on site.

Construction Stormwater Best Management Practices (BMPs) (2.0)

The SWPPP is a living document reflecting current conditions and changes throughout the life of the project. These changes may be informal (i.e. hand-written notes and deletions). Update the SWPPP when the CESCL has noted a deficiency in BMPs or deviation from original design.

The 12 Elements (2.1)

Element 1: Preserve Vegetation / Mark Clearing Limits (2.1.1)

To protect adjacent properties and reduce the area of soil exposed to construction, the limits of construction will be clearly marked with high-visibility fencing before land-disturbing activities begin. In general, natural vegetation and native topsoil shall be retained in an undisturbed state to the maximum extent possible. Trees to be preserved, as well as sensitive areas, will be clearly delineated both in the field and on the plans and marked with high-visibility fencing. The BMPs relevant to marking the clearing limits and preserving vegetation that will be applied for this project include:

List and describe BMPs: BMP C103: High-Visibility Fence

Installation Schedules: Installation schedule to be determined by the General Contractor, but should be installed prior to clearing, land-disturbing activities.

Inspection and Maintenance plan: All fencing is to be inspected at the end of each day's work and repaired if found to be noncompliant with BMP specifications, see Appendix B.

Responsible Staff: Certified Erosion and Sediment Control Lead (CESCL)

Element 2: Establish Construction Access (2.1.2)

To prevent sediment from being tracked off-site and minimize dust generation, construction vehicle access and exit will be limited to one designated, stabilized route. A wheel wash will be located on-site, before the construction exit, to further reduce the possibility of sediment tracking onto public roads. Additional street sweeping will be performed if necessary to keep the roadways sediment free.

List and describe BMPs: BMP C105: Stabilized Construction Entrance
 BMP C106: Wheel Wash

Installation Schedules: Installation schedule to be determined by the General Contractor.

Inspection and Maintenance plan: Inspection and maintenance to take place at the end of each day's work, see Appendix B.

Responsible Staff: CESCL

Element 3: Control Flow Rates (2.1.3)

To protect properties and waterways downstream of the project from increased speed and volume of stormwater discharges due to construction activity, the existing stormwater infrastructure will be utilized. Wattles will be used on-site during construction to control flow rates and protect against erosion.

Will you construct stormwater retention and/or detention facilities?

Yes **No**

Will you use permanent infiltration ponds or other low impact development (example: rain gardens, bio-retention, porous pavement) to control flow during construction?

Yes **No**

List and describe BMPs: BMP C235: Wattles

Installation Schedules: BMPs to be installed prior to clearing and grading activities, schedule to be determined by the General Contractor.

Inspection and Maintenance plan: Inspection and maintenance is to take place at the end of each day's work, see Appendix B.

Responsible Staff: CESCL

Element 4: Install Sediment Controls (2.1.4)

To minimize sediment discharges from the site during construction, sediment control BMPs will be constructed before other land-disturbing activities occur. Wattles, or erosion eels, will be strategically placed along contours and drain paths to intercept runoff and trap sediment. Additionally, storm drain inlet barriers with gravel filled bags will be placed around drainage inlets and inspected after each storm event. The BMPs relevant to marking the clearing limits and preserving vegetation that will be applied for this project include:

List and describe BMPs: BMP C220: Inlet Protection
 BMP C235: Wattles

Installation Schedules: BMPs to be installed prior to clearing and grading activities,
schedule to be determined by the General Contractor.

Inspection and Maintenance plan: Inspection and maintenance to take place after rainfall
events. Sediment to be removed after each storm event.

Responsible Staff: CESCL

Element 5: Stabilize Soils (2.1.5)

Exposed and unworked soils shall be stabilized with the application of effective BMPs to prevent erosion throughout the life of the project. The specific BMPs for soil stabilization that shall be used in this project are as follows:

West of the Cascade Mountains Crest

Season	Dates	Number of Days Soils Can be Left Exposed
During the Dry Season	May 1 – September 30	7 days
During the Wet Season	October 1 – April 30	2 days

Soils must be stabilized at the end of the shift before a holiday or weekend if needed based on the weather forecast.

Anticipated project dates: Start date: 05/01/2026 End date: 08/01/2026

Will you construct during the wet season?
 Yes **No**

List and describe BMPs: BMP C120: Temporary and Permanent Seeding
 BMP C122: Nets and Blankets
 BMP C140: Dust Control

Installation Schedules: Installation schedule to be determined by the General Contractor.

Inspection and Maintenance plan: Inspection and maintenance to take place at the end of each day's work, see Appendix B.

Responsible Staff: CESCL

Element 6: Protect Slopes (2.1.6)

West of the Cascade Mountains Crest

All cut and fill slopes will be designed, constructed, and protected in a manner that minimizes erosion. The following specific BMPs will be used to protect slopes for this project:

Will steep slopes be present at the site during construction?

Yes **No**

List and describe BMPs: BMP C120: Temporary and Permanent Seeding
BMP C122: Nets and Blankets

Installation Schedules: BMPs to be installed prior to clearing and grading activities, schedule to be determined by the General Contractor.

Inspection and Maintenance plan: Inspection and maintenance is to take place at the end of each day's work, see Appendix B.

Responsible Staff: CESCL

Element 7: Protect Drain Inlets (2.1.7)

All existing catch basins and inlets within 100 feet of the project site will be protected using filter fabric and a row of gravel filled bags. The following specific BMPs will be used in the project:

List and describe BMPs: BMP C220: Inlet Protection

Installation Schedules: BMPs to be installed prior to clearing and grading activities, schedule to be determined by the General Contractor.

Inspection and Maintenance plan: Inspection and maintenance is to take place after a rainfall event. Replace inlet protection if filter fabric becomes clogged.

Responsible Staff: CESCL

Element 8: Stabilize Channels and Outlets (2.1.8)

West of the Cascade Mountains Crest

The existing on-site drainage systems are adequate and will be maintained to handle site runoff adequately. Therefore, no additional measures for stabilizing channels and outlets are necessary.

List and describe BMPs: N/A

Installation Schedules: N/A

Inspection and Maintenance plan: N/A

Responsible Staff: N/A

<p>Provide stabilization, including armoring material, adequate to prevent erosion of outlets, adjacent stream banks, slopes, and downstream reaches, will be installed at the outlets of all conveyance systems.</p>

Element 9: Control Pollutants (2.1.9)

All pollutants, including waste materials and demolition debris generated on-site, will be managed and disposed of in a manner that prevents contamination of stormwater. Good housekeeping and preventative measures will be employed to keep the site clean, well-organized, and free of debris. If required, BMPs to be implemented to control specific sources of pollutants are discussed below.

The following pollutants are anticipated to be present on-site:

Table 2 – Pollutants

Pollutant (and source, if applicable)
Metals - Asphalt Pavement / Saw-cutting
Dust and Debris
Fertilizers and Pesticides

Metals – Asphalt Pavement / Saw-cutting:

- Process water and slurry resulting from saw-cutting and surfacing operations will be prevented from entering the waters of the State by implementing Saw-cutting and Surfacing Pollution Prevention measures (BMP C152) and Inlet Protection (BMP C220). Additionally, the contractor will provide an area for concrete washouts (BMP C154) and wheel wash (BMP C106) prior to demolition.

Dust and Debris:

- Dust released from demolished sidewalks, driveways, buildings, or structures will be controlled using Dust Control measures (BMP C140).

Fertilizers and Pesticides:

- Any chemicals stored in the construction areas will conform to the appropriate source control BMPs listed in Volume IV of the Ecology stormwater manual such as Material Delivery, Storage, and Containment (BMP C153).

List and describe BMPs: BMP C106: Wheel Wash
 BMP C140: Dust Control
 BMP C152: Saw-cutting and Surfacing Pollution Prevention
 BMP C153: Material Delivery, Storage, and Containment
 BMP C154: Concrete Washout Area

BMP C220: Inlet Protection

Installation Schedules: Installation schedule to be determined by the General Contractor.

Inspection and Maintenance plan: Inspection and maintenance is to take place at the end of each day's work, see Appendix B.

Responsible Staff: CESCL

Will maintenance, fueling, and/or repair of heavy equipment and vehicles occur on-site?

Yes **No**

List and describe BMPs: N/A

Installation Schedules: N/A

Inspection and Maintenance plan: N/A

Responsible Staff: N/A

Will wheel wash or tire bath system BMPs be used during construction?

Yes No

List and describe BMPs: BMP C106: Wheel Wash

BMP C154: Concrete Washout Area

Installation Schedules: Installation schedule to be determined by the General Contractor.

Inspection and Maintenance plan: Inspection and maintenance is to take place at the end of each day's work, see Appendix B.

Responsible Staff: CESCL

Will pH-modifying sources be present on-site?

Yes No If yes, check the source(s).

Table 3 – pH-Modifying Sources

	None
	Bulk cement

	Cement kiln dust
	Fly ash
	Other cementitious materials
	New concrete washing or curing waters
X	Waste streams generated from concrete grinding and sawing
	Exposed aggregate processes
	Dewatering concrete vaults
	Concrete pumping and mixer washout waters
	Recycled concrete
	Other (i.e. calcium lignosulfate) [please describe]

Practices listed below shall be utilized on roads. Washdown from any concrete truck chutes, pumps, internals, tools, or surfaces shall be washed out only into formed areas awaiting installation of concrete or asphalt. Unused concrete remaining in the truck and pump shall be returned to the originating batch plant for recycling. When no formed areas are available, wash water and leftover product shall be contained in a lined container and not disposed of in a manner that violates groundwater or surface water standards. Slurry and cuttings shall:

- Be vacuumed during cutting and surfacing operations
- Not remain on permanent concrete or asphalt overnight
- Not drain to any drainage conveyance

List and describe BMPs: BMP C106: Wheel Wash

BMP C154: Concrete Washout Area

BMP C252: Treating and Disposing of High pH Water

Installation Schedules: Installation schedule to be determined by the General Contractor.

Inspection and Maintenance plan: Washwater should be changed a minimum of once per day. If more than 10 to 20 trucks per hour are expected, the wash water will need to be replaced more often.

Responsible Staff: CESCL

Adjust pH of stormwater if outside the range of 6.5 to 8.5 su.

Obtain written approval from Ecology before using chemical treatment with the exception of CO₂ or dry ice to modify pH.

Concrete trucks must not be washed out onto the ground, or into storm drains, open ditches, streets, or streams. Excess concrete must not be dumped on-site, except in designated concrete washout areas with appropriate BMPs installed.

Element 10: Control Dewatering (2.1.10)

All below grade utilities and associated excavations will be above the groundwater table and dewatering is not expected to be needed except during heavy rainfall events. If Dewatering is needed, water will be vacuum pumped to a truck and transported off-site for legal disposal.

Table 4 – Dewatering BMPs

	Infiltration
X	Transport off-site in a vehicle (vacuum truck for legal disposal)
	Ecology-approved on-site chemical treatment or other suitable treatment technologies
	Sanitary or combined sewer discharge with local sewer district approval (last resort)
	Use of sedimentation bag with discharge to ditch or swale (small volumes of localized dewatering)

Installation Schedules: Installation schedule to be determined by the General Contractor.

Inspection and Maintenance plan: Inspection and maintenance is to take place after a rainfall event.

Responsible Staff: CESCL

Element 11: Maintain BMPs (2.1.11)

All temporary and permanent Erosion and Sediment Control (ESC) BMPs shall be maintained and repaired as needed to ensure continued performance of their intended function.

Maintenance and repair shall be conducted in accordance with each particular BMP specification (see *Volume II of the SWMMWW* or *Chapter 7 of the SWMMEW*).

Visual monitoring of all BMPs installed at the site will be conducted at least once every calendar week and within 24 hours of any stormwater or non-stormwater discharge from the site. If the site becomes inactive and is temporarily stabilized, the inspection frequency may be reduced to once every calendar month.

All temporary ESC BMPs shall be removed within 30 days after final site stabilization is achieved or after the temporary BMPs are no longer needed.

Trapped sediment shall be stabilized on-site or removed. Disturbed soil resulting from removal of either BMPs or vegetation shall be permanently stabilized.

Additionally, protection must be provided for all BMPs installed for the permanent control of stormwater from sediment and compaction. BMPs that are to remain in place following completion of construction shall be examined and restored to full operating condition. If sediment enters these BMPs during construction, the sediment shall be removed and the facility shall be returned to conditions specified in the construction documents.

Element 12: Manage the Project (2.1.12)

The project will be managed based on the following principles:

- Projects will be phased to the maximum extent practicable and seasonal work limitations will be taken into account.
- Inspection and monitoring:
 - Inspection, maintenance and repair of all BMPs will occur as needed to ensure performance of their intended function.
 - Site inspections and monitoring will be conducted in accordance with Special Condition S4 of the CSWGP. Sampling station(s) to be located in accordance with applicable requirements of the CSWGP.
- Maintain an updated SWPPP.
 - The SWPPP will be updated, maintained, and implemented in accordance with Special Conditions S3, S4, and S9 of the CSWGP.

As site work progresses the SWPPP will be modified routinely to reflect changing site conditions. The SWPPP will be reviewed monthly to ensure the content is current.

Table 5 – Management

X	Design the project to fit the existing topography, soils, and drainage patterns
X	Emphasize erosion control rather than sediment control
X	Minimize the extent and duration of the area exposed
X	Keep runoff velocities low
X	Retain sediment on-site
X	Thoroughly monitor site and maintain all ESC measures
X	Schedule major earthwork during the dry season
	Other (please describe)

Element 13: Protect Low Impact Development (LID) BMPs (2.1.13)

Existing stormwater infrastructures exist on-site such as the underground drainage field, associated catch basins for stormwater collection, and storm pipes for conveyance. These areas will be protected from sedimentation and compaction by placing inlet protection over catch basins and filter socks/wattles around the perimeter of site improvements prior to construction.

List and describe BMPs: BMP C235: Wattles
 BMP C220: Inlet Protection

Installation Schedules: Installation schedule to be determined by the General Contractor.

Inspection and Maintenance Plan: Inspection and maintenance is to take place at the end of each day's work.

Responsible Staff: CESCL

Pollution Prevention Team (3.0)

Table 7 – Team Information

Title	Name(s)	Phone Number
Certified Erosion and Sediment Control Lead (CESCL)	TBD	TBD
Resident Engineer		
Emergency Ecology Contact		
Emergency Permittee/ Owner Contact	Kathryn Sturgill – Walmart	(479) 883-4644
Non-Emergency Owner Contact		
Monitoring Personnel	CESCL – see above	
Ecology Regional Office	Southwest Region Offices - Lacey	(360) 407-6300

Monitoring and Sampling Requirements (4.0)

Monitoring includes visual inspection, sampling for water quality parameters of concern, and documentation of the inspection and sampling findings in a site log book. A site log book will be maintained for all on-site construction activities and will include:

- A record of the implementation of the SWPPP and other permit requirements
- Site inspections
- Stormwater sampling data

The site log book must be maintained on-site within reasonable access to the site and be made available upon request to Ecology or the local jurisdiction.

Numeric effluent limits may be required for certain discharges to 303(d) listed waterbodies. See CSWGP Special Condition S8 and Section 5 of this template.

Complete the following paragraph for sites that discharge to impaired waterbodies for fine sediment, turbidity, phosphorus, or pH:

The receiving waterbody, Bradley Lake, is impaired for: metals from asphalt and concrete saw-cutting. All stormwater and dewatering discharges from the site are subject to an effluent limit of 8.5 su for pH and/or 25 NTU for turbidity.

Site Inspection (4.1)

Site inspections will be conducted at least once every calendar week and within 24 hours following any discharge from the site. For sites that are temporarily stabilized and inactive, the required frequency is reduced to once per calendar month.

The discharge point(s) are indicated on the Erosion & Sediment Control Plans (see Appendix A) within the Civil Plan Set and in accordance with the applicable requirements of the CSWGP.

Stormwater is infiltrated on-site, and there is anticipated to be no discharge from the site.

Stormwater Quality Sampling (4.2)

Turbidity Sampling (4.2.1)

Requirements include calibrated turbidity meter or transparency tube to sample site discharges for compliance with the CSWGP. Sampling will be conducted at all discharge points at least once per calendar week.

Method for sampling turbidity:

Table 8 – Turbidity Sampling Method

	Turbidity Meter/Turbidimeter (required for disturbances 5 acres or greater in size)
X	Transparency Tube (option for disturbances less than 1 acre and up to 5 acres in size)

The benchmark for turbidity value is 25 nephelometric turbidity units (NTU) and a transparency less than 33 centimeters.

If the discharge's turbidity is 26 to 249 NTU or the transparency is less than 33 cm but equal to or greater than 6 cm, the following steps will be conducted:

1. Review the SWPPP for compliance with Special Condition S9. Make appropriate revisions within 7 days of the date the discharge exceeded the benchmark.
2. Immediately begin the process to fully implement and maintain appropriate source control and/or treatment BMPs as soon as possible. Address the problems within 10 days of the date the discharge exceeded the benchmark. If installation of necessary treatment BMPs is not feasible within 10 days, Ecology may approve additional time when the Permittee requests an extension within the initial 10-day response period.
3. Document BMP implementation and maintenance in the site log book.

If the turbidity exceeds 250 NTU or the transparency is 6 cm or less at any time, the following steps will be conducted:

1. Telephone or submit an electronic report to the applicable Ecology Region's Environmental Report Tracking System (ERTS) within 24 hours.
<https://www.ecology.wa.gov/About-us/Get-involved/Report-an-environmental-issue>
 - Central Region (Benton, Chelan, Douglas, Kittitas, Klickitat, Okanogan, Yakima): (509) 575-2490
 - Eastern Region (Adams, Asotin, Columbia, Ferry, Franklin, Garfield, Grant, Lincoln, Pend Oreille, Spokane, Stevens, Walla Walla, Whitman): (509) 329-3400
 - Northwest Region (King, Kitsap, Island, San Juan, Skagit, Snohomish, Whatcom): (425) 649-7000
 - Southwest Region (Clallam, Clark, Cowlitz, Grays Harbor, Jefferson, Lewis, Mason, Pacific, Pierce, Skamania, Thurston, Wahkiakum,): (360) 407-6300
2. Immediately begin the process to fully implement and maintain appropriate source control and/or treatment BMPs as soon as possible. Address the problems within 10 days of the date the discharge exceeded the benchmark. If installation of necessary treatment BMPs is not feasible within 10 days, Ecology may approve additional time when the Permittee requests an extension within the initial 10-day response period
3. Document BMP implementation and maintenance in the site log book.
4. Continue to sample discharges daily until one of the following is true:
 - Turbidity is 25 NTU (or lower).
 - Transparency is 33 cm (or greater).
 - Compliance with the water quality limit for turbidity is achieved.
 - 1 - 5 NTU over background turbidity, if background is less than 50 NTU
 - 1% - 10% over background turbidity, if background is 50 NTU or greater

- The discharge stops or is eliminated.

pH Sampling (4.2.2)

pH monitoring is required for “Significant concrete work” (i.e. greater than 1000 cubic yards poured concrete or recycled concrete over the life of the project). The use of engineered soils (soil amendments including but not limited to Portland cement-treated base [CTB], cement kiln dust [CKD] or fly ash) also requires pH monitoring.

For significant concrete work, pH sampling will start the first day concrete is poured and continue until it is cured, typically three (3) weeks after the last pour.

For engineered soils and recycled concrete, pH sampling begins when engineered soils or recycled concrete are first exposed to precipitation and continues until the area is fully stabilized.

If the measured pH is 8.5 or greater, the following measures will be taken:

1. Prevent high pH water from entering storm sewer systems or surface water.
2. Adjust or neutralize the high pH water to the range of 6.5 to 8.5 su using appropriate technology such as carbon dioxide (CO₂) sparging (liquid or dry ice).
3. Written approval will be obtained from Ecology prior to the use of chemical treatment other than CO₂ sparging or dry ice.

Method for sampling pH:

Table 8 – pH Sampling Method

X	pH meter
	pH test kit
	Wide range pH indicator paper

Discharges to 303(d) or Total Maximum Daily Load (TMDL) Waterbodies (5.0)

303(d) Listed Waterbodies (5.1)

Is the receiving water 303(d) (Category 5) listed for turbidity, fine sediment, phosphorus, or pH?

Yes No

List the impairment(s): N/A

List and describe BMPs: N/A

TMDL Waterbodies (5.2)

Waste Load Allocation for CWSGP discharges:

N/A

List and describe BMPs:

N/A

Discharges to TMDL receiving waterbodies will meet in-stream water quality criteria at the point of discharge.
--

The Construction Stormwater General Permit Proposed New Discharge to an Impaired Water Body form is included in Appendix F.

Reporting and Record Keeping (6.0)

Record Keeping (6.1)

Site Log Book (6.1.1)

A site log book will be maintained for all on-site construction activities and will include:

- A record of the implementation of the SWPPP and other permit requirements
- Site inspections
- Sample logs

Records Retention (6.1.2)

Records will be retained during the life of the project and for a minimum of three (3) years following the termination of permit coverage in accordance with Special Condition S5.C of the CSWGP.

Permit documentation to be retained on-site:

- CSWGP
- Permit Coverage Letter
- SWPPP
- Site Log Book

Permit documentation will be provided within 14 days of receipt of a written request from Ecology. A copy of the SWPPP or access to the SWPPP will be provided to the public when requested in writing in accordance with Special Condition S5.G.2.b of the CSWGP.

Updating the SWPPP (6.1.3)

The SWPPP will be modified if:

- Found ineffective in eliminating or significantly minimizing pollutants in stormwater discharges from the site.
- There is a change in design, construction, operation, or maintenance at the construction site that has, or could have, a significant effect on the discharge of pollutants to waters of the State.

The SWPPP will be modified within seven (7) days if inspection(s) or investigation(s) determine additional or modified BMPs are necessary for compliance. An updated timeline for BMP implementation will be prepared.

Reporting (6.2)

Discharge Monitoring Reports (6.2.1)

Cumulative soil disturbance is one (1) acre or larger; therefore, Discharge Monitoring Reports (DMRs) will be submitted to Ecology monthly. If there was no discharge during a given monitoring period the DMR will be submitted as required, reporting “No Discharge”. The DMR due date is fifteen (15) days following the end of each calendar month.

DMRs will be reported online through Ecology’s WQWebDMR System.

<https://www.ecology.wa.gov/Regulations-Permits/Guidance-technical-assistance/Water-quality-permits-guidance/WQWebPortal-guidance>

Notification of Noncompliance (6.2.2)

If any of the terms and conditions of the permit is not met, and the resulting noncompliance may cause a threat to human health or the environment, the following actions will be taken:

1. Ecology will be notified within 24-hours of the failure to comply by calling the applicable Regional office ERTS phone number (Regional office numbers listed below).
2. Immediate action will be taken to prevent the discharge/pollution or otherwise stop or correct the noncompliance. If applicable, sampling and analysis of any noncompliance will be repeated immediately and the results submitted to Ecology within five (5) days of becoming aware of the violation.
3. A detailed written report describing the noncompliance will be submitted to Ecology within five (5) days, unless requested earlier by Ecology.

Anytime turbidity sampling indicates turbidity is 250 NTUs or greater, or water transparency is 6 cm or less, the Ecology Regional office will be notified by phone within 24 hours of analysis as required by Special Condition S5.A of the CSWGP.

- Southwest Region at (360) 407-6300 for Clallam, Clark, Cowlitz, Grays Harbor, Jefferson, Mason, Lewis, Pacific, Pierce, Skamania, Thurston, and Wahkiakum counties.

Include the following information:

1. Your name and / Phone number
2. Permit number
3. City / County of project
4. Sample results
5. Date / Time of call
6. Date / Time of sample
7. Project name

In accordance with Special Condition S4.D.5.b of the CSWGP, the Ecology Regional office will be notified if chemical treatment other than CO₂ sparging is planned for adjustment of high pH water.

Appendix/Glossary

- A. Site Maps**
- B. BMP Detail**
- C. Correspondence**
- D. Site Inspection Form**
- E. Construction Stormwater General Permit (CSWGP)**
- F. 303(d) List Waterbodies / TMDL Waterbodies Information**
- G. Contaminated Site Information**
- H. Engineering Calculations**

APPENDIX A – SITE MAPS

APPENDIX B – BMP DETAIL

permitting authority. These should not be disturbed and must be protected with sediment control BMPs to prevent impacts. The local permitting authority may expand the buffer widths temporarily to allow the use of the expanded area for removal of sediment.

- Vegetative Buffer Zones - areas that may be identified in undisturbed vegetation areas or managed vegetation areas that are outside any Designated Critical Area Buffer. They may be utilized to provide an additional sediment control area and/or reduce runoff velocities. If being used for preservation of natural vegetation, they should be arranged in clumps or strips. They can be used to protect natural swales and incorporated into the natural landscaping area.

Design and Installation Specifications

- Preserving natural vegetation or plantings in clumps, blocks, or strips is generally the easiest and most successful method.
- Leave all unstable steep slopes in natural vegetation.
- Mark clearing limits and keep all equipment and construction debris out of the natural areas and buffer zones. Steel construction fencing is the most effective method to protect sensitive areas and buffers. Alternatively, wire-backed silt fence on steel posts is marginally effective. Flagging alone is typically not effective.
- Keep all excavations outside the dripline of trees and shrubs.
- Do not push debris or extra soil into the buffer zone area because it will cause damage by burying and smothering vegetation.
- Vegetative buffer zones for streams, lakes or other waterways shall be established by the local permitting authority or other state or federal permits or approvals.

Maintenance Standards

Inspect the area frequently to make sure flagging remains in place and the area remains undisturbed. Replace all damaged flagging immediately. Remove all materials located in the buffer area that may impede the ability of the vegetation to act as a filter.

BMP C103: High-Visibility Fence

Purpose

High-visibility fencing is intended to:

- Restrict clearing to approved limits.
- Prevent disturbance of sensitive areas, their buffers, and other areas required to be left undisturbed.
- Limit construction traffic to designated construction entrances, exits, or internal roads.
- Protect areas where marking with survey tape may not provide adequate protection.

Conditions of Use

To establish clearing limits, plastic, fabric, or metal fence may be used:

- At the boundary of sensitive areas, their buffers, and other areas required to be left uncleared.
- As necessary to control vehicle access to and on the site.

Design and Installation Specifications

High-visibility plastic fence shall be composed of a high-density polyethylene (HDPE) material and shall be at least four feet in height. Posts for the fencing shall be steel or wood and placed every 6 feet on center (maximum) or as needed to ensure rigidity. The fencing shall be fastened to the post every six inches with a polyethylene tie. On long continuous lengths of fencing, a tension wire or rope shall be used as a top stringer to prevent sagging between posts. The fence color shall be high-visibility orange. The fence tensile strength shall be 360 lbs/ft using the ASTM D4595 testing method.

If appropriate, install fabric silt fence in accordance with [BMP C233: Silt Fence](#) to act as high-visibility fence. Silt fence shall be at least 3 feet high and must be highly visible to meet the requirements of this BMP.

Metal fences shall be designed and installed according to the manufacturer's specifications.

Metal fences shall be at least 3 feet high and must be highly visible.

Fences shall not be wired or stapled to trees.

Maintenance Standards

If the fence has been damaged or visibility reduced, it shall be repaired or replaced immediately and visibility restored.

BMP C105: Stabilized Construction Access

Purpose

Stabilized construction accesses are established to reduce the amount of sediment transported onto paved roads outside the project site by vehicles or equipment. This is done by constructing a stabilized pad of quarry spalls at entrances and exits for project sites.

Conditions of Use

Construction accesses shall be stabilized wherever traffic will be entering or leaving a construction site if paved roads or other paved areas are within 1,000 feet of the site.

For residential subdivision construction sites, provide a stabilized construction access for each residence, rather than only at the main subdivision entrance. Stabilized surfaces shall be of sufficient length/width to provide vehicle access/parking, based on lot size and configuration.

On large commercial, highway, and road projects, the designer should include enough extra materials in the contract to allow for additional stabilized accesses not shown in the initial Construction SWPPP. It is difficult to determine exactly where access to these projects will take place; additional materials will enable the contractor to install them where needed.

Design and Installation Specifications

- See [Figure II-4.1: Stabilized Construction Access](#) for details. Note: the 100' minimum length of the access shall be reduced to the maximum practicable size when the size or configuration of the site does not allow the full length (100').
- Construct stabilized construction accesses with a 12-inch thick pad of 4-inch to 8-inch quarry spalls, a 4-inch course of asphalt treated base (ATB), or use existing pavement. Do not use crushed concrete, cement, or calcium chloride for construction access stabilization because these products raise pH levels in stormwater and concrete discharge to waters of the State is prohibited.
- A separation geotextile shall be placed under the spalls to prevent fine sediment from pumping up into the rock pad. The geotextile shall meet the standards listed in [Table II-4.2: Stabilized Construction Access Geotextile Standards](#).

Table II-4.2: Stabilized Construction Access Geotextile Standards

Geotextile Property	Required Value
Grab Tensile Strength (ASTM D4751)	200 psi min.
Grab Tensile Elongation (ASTM D4632)	30% max.
Mullen Burst Strength (ASTM D3786-80a)	400 psi min.
AOS (ASTM D4751)	No. 20 to No. 45 (U.S. standard sieve size)

- Consider early installation of the first lift of asphalt in areas that will be paved; this can be used as a stabilized access. Also consider the installation of excess concrete as a stabilized access. During large concrete pours, excess concrete is often available for this purpose.
- Fencing (see [BMP C103: High-Visibility Fence](#)) shall be installed as necessary to restrict traffic to the construction access.
- Whenever possible, the access shall be constructed on a firm, compacted subgrade. This can substantially increase the effectiveness of the pad and reduce the need for maintenance.
- Construction accesses should avoid crossing existing sidewalks and back of walk drains if at all possible. If a construction access must cross a sidewalk or back of walk drain, the full length of the sidewalk and back of walk drain must be covered and protected from sediment leaving the site.

Alternative Material Specification

WSDOT has raised safety concerns about the quarry spall rock specified above. WSDOT observes that the 4-inch to 8-inch rock sizes can become trapped between dually truck tires, and then released off-site at highway speeds. WSDOT has chosen to use a modified specification for the rock while continuously verifying that the stabilized construction access remains effective. To remain effective, the BMP must prevent sediment from migrating off site. To date, there has been no performance testing to verify operation of this new specification. Local jurisdictions may use the alternative specification, but must perform increased off-site inspection if they use, or allow others to use, it.

Stabilized construction accesses may use material that meets the requirements of WSDOT's *Standard Specifications for Road, Bridge, and Municipal Construction* Section 9-03.9(1) ([WSDOT, 2016](#)) for ballast except for the following special requirements.

The grading and quality requirements are listed in [Table II-4.3: Stabilized Construction Access Alternative Material Requirements](#).

**Table II-4.3: Stabilized Construction
Access Alternative Material
Requirements**

Sieve Size	Percent Passing
2½"	99 to 100
2"	65 to 100
¾"	40 to 80
No. 4	5 max.
No. 100	0 to 2
% Fracture	75 min.
Notes: 1. All percentages are by weight. 2. The sand equivalent value and dust ratio requirements do not apply. 3. The fracture requirement shall be at least one fractured face and will apply the combined aggregate retained on the No. 4 sieve in accordance with FOP for AASHTO T 335.	

Maintenance Standards

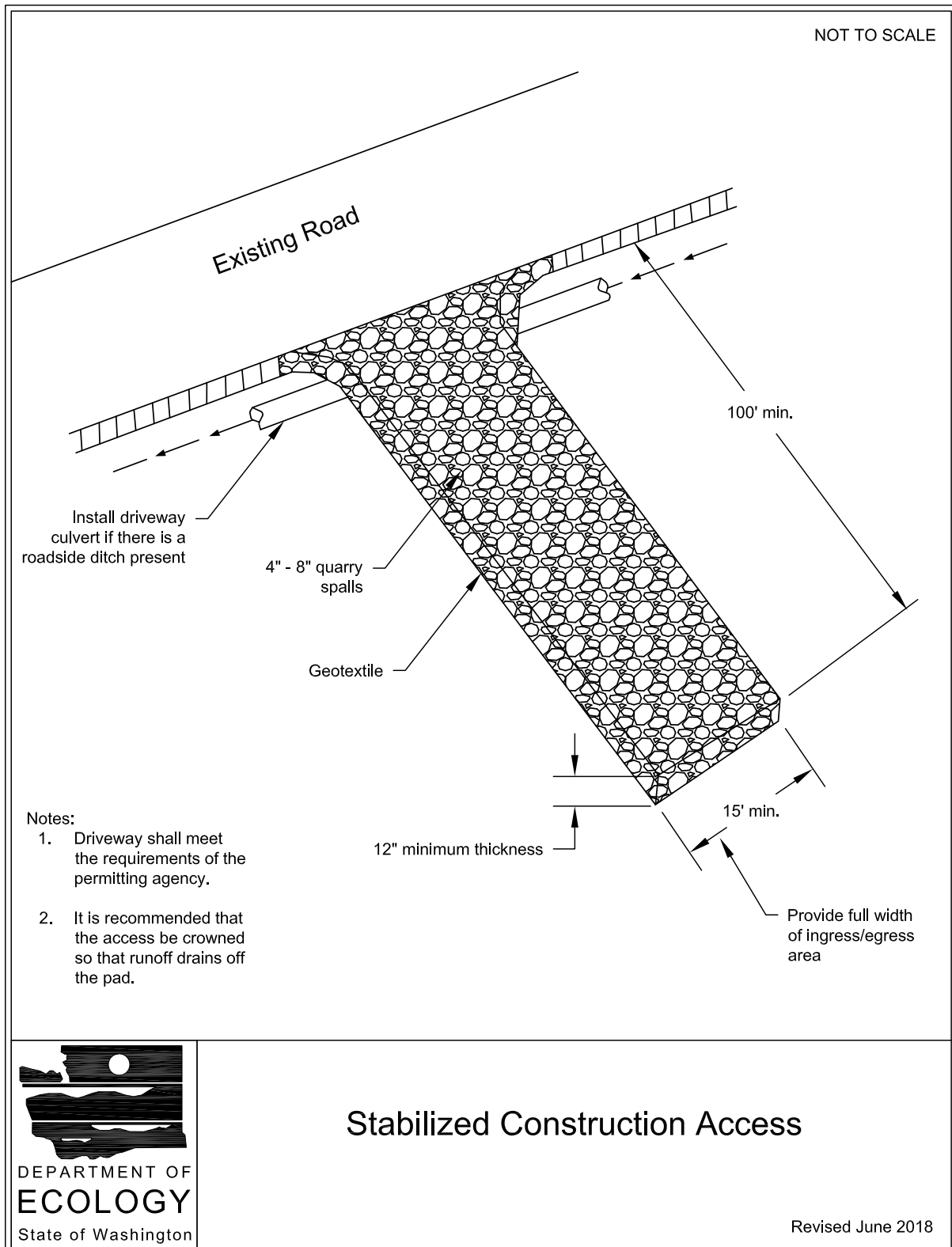
Quarry spalls shall be added if the pad is no longer in accordance with the specifications.

- If the access is not preventing sediment from being tracked onto pavement, then alternative measures to keep the streets free of sediment shall be used. This may include replacement/cleaning of the existing quarry spalls, street sweeping, an increase in the dimensions

of the access, or the installation of [BMP C106: Wheel Wash](#).

- Any sediment that is tracked onto pavement shall be removed by shoveling or street sweeping. The sediment collected by sweeping shall be removed or stabilized on site. The pavement shall not be cleaned by washing down the street, except when sweeping is ineffective and there is a threat to public safety. If it is necessary to wash the streets, the construction of a small sump to contain the wash water shall be considered. The sediment would then be washed into the sump where it can be controlled.
- Perform street sweeping by hand or with a high efficiency sweeper. Do not use a non-high efficiency mechanical sweeper because this creates dust and throws soils into storm systems or conveyance ditches.
- Any quarry spalls that are loosened from the pad, which end up on the roadway shall be removed immediately.
- If vehicles are entering or exiting the site at points other than the construction access(es), [BMP C103: High-Visibility Fence](#) shall be installed to control traffic.
- Upon project completion and site stabilization, all construction accesses intended as permanent access for maintenance shall be permanently stabilized.

Figure II-4.1: Stabilized Construction Access



Approved as Functionally Equivalent

Ecology has approved products as able to meet the requirements of this BMP. The products did not pass through the Technology Assessment Protocol – Ecology (TAPE) process. Local jurisdictions may choose not to accept these products, or may require additional testing prior to consideration for local use. Products that Ecology has approved as functionally equivalent are available for review on Ecology’s website at:

<https://ecology.wa.gov/Regulations-Permits/Guidance-technical-assistance/Stormwater-permittee-guidance-resources/Emerging-stormwater-treatment-technologies>

BMP C106: Wheel Wash

Purpose

Wheel washes reduce the amount of sediment transported onto paved roads by washing dirt from the wheels of motor vehicles prior to the motor vehicles leaving the construction site.

Conditions of Use

- Use a wheel wash when [BMP C105: Stabilized Construction Access](#) is not preventing sediment from being tracked off site.
- Wheel washing is generally an effective BMP when installed with careful attention to topography. For example, a wheel wash can be detrimental if installed at the top of a slope abutting a right-of-way where the water from the dripping truck can run unimpeded into the street.
- Pressure washing combined with an adequately sized and surfaced pad with direct drainage to a large 10-foot x 10-foot sump can be very effective.
- Wheel wash wastewater is not stormwater. It is commonly called process water, and must be discharged to a separate on-site treatment system that prevents discharge to waters of the State, or to the sanitary sewer with local sewer district approval.
- Wheel washes may use closed-loop recirculation systems to conserve water use.
- Wheel wash wastewater shall not include wastewater from concrete washout areas.
- When practical, the wheel wash should be placed in sequence with [BMP C105: Stabilized Construction Access](#). Locate the wheel wash such that vehicles exiting the wheel wash will enter directly onto [BMP C105: Stabilized Construction Access](#). In order to achieve this, [BMP C105: Stabilized Construction Access](#) may need to be extended beyond the standard installation to meet the exit of the wheel wash.

Design and Installation Specifications

Suggested details are shown in [Figure II-4.2: Wheel Wash](#). The local permitting authority may allow other designs. A minimum of 6 inches of asphalt treated base (ATB) over crushed base

material or 8 inches over a good subgrade is recommended to pave the wheel wash.

Use a low clearance truck to test the wheel wash before paving. Either a belly dump or lowboy will work well to test clearance.

Keep the water level from 12 to 14 inches deep to avoid damage to truck hubs and filling the truck tongues with water.

Midpoint spray nozzles are only needed in extremely muddy conditions.

Wheel wash systems should be designed with a small grade change, 6- to 12-inches for a 10-foot-wide pond, to allow sediment to flow to the low side of pond to help prevent re-suspension of sediment. A drainpipe with a 2- to 3-foot riser should be installed on the low side of the pond to allow for easy cleaning and refilling. Polymers may be used to promote coagulation and flocculation in a closed-loop system. Polyacrylamide (PAM) added to the wheel wash water at a rate of 0.25 to 0.5 pounds per 1,000 gallons of water increases effectiveness and reduces cleanup time. If PAM is already being used for dust or erosion control and is being applied by a water truck, the same truck can be used to change the wash water. PAM use shall be reviewed and approved by the local permitting authority. Discharge of PAM may be a basis for penalties per [RCW 90.48.080](#).

Maintenance Standards

The wheel wash should start out each day with fresh water.

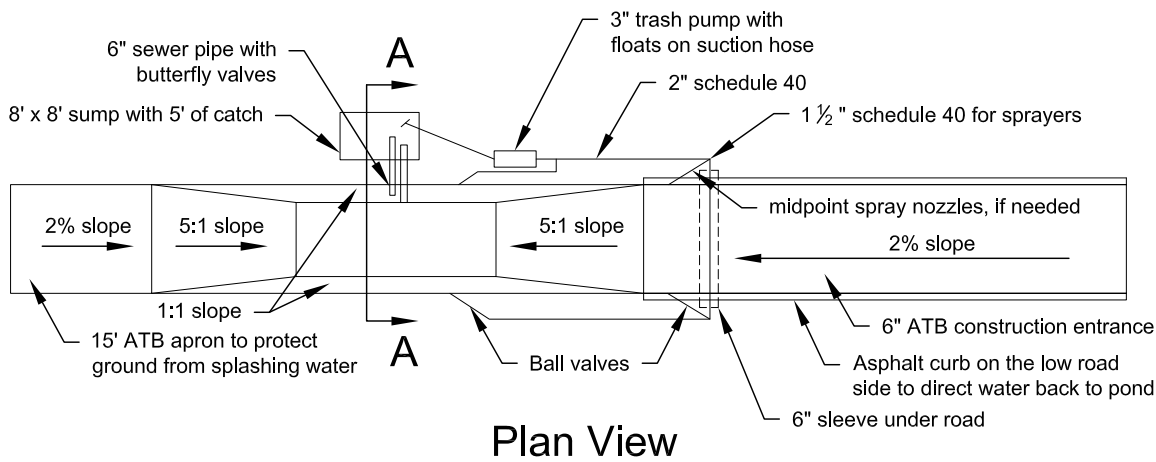
The wheel wash water should be changed a minimum of once per day. On large earthwork jobs where more than 10 to 20 trucks per hour are expected, the wheel wash water will need to be changed more often.

Approved as Functionally Equivalent

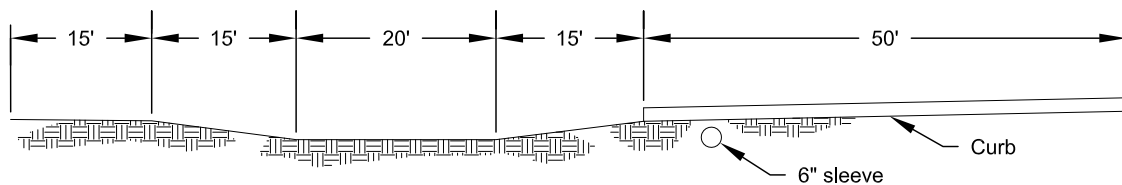
Ecology has approved products as able to meet the requirements of this BMP. The products did not pass through the Technology Assessment Protocol – Ecology (TAPE) process. Local jurisdictions may choose not to accept these products, or may require additional testing prior to consideration for local use. Products that Ecology has approved as functionally equivalent are available for review on Ecology's website at:

<https://ecology.wa.gov/Regulations-Permits/Guidance-technical-assistance/Stormwater-permittee-guidance-resources/Emerging-stormwater-treatment-technologies>

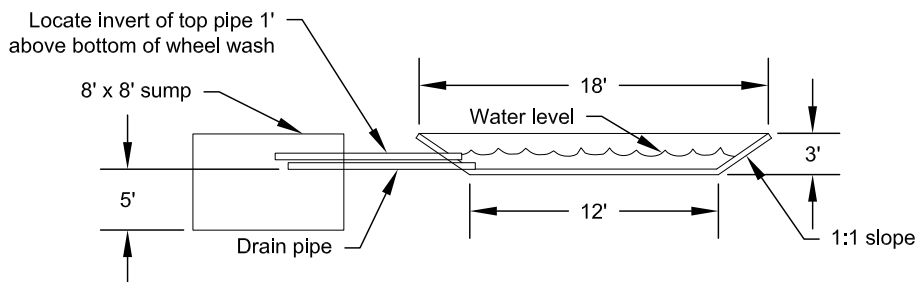
Figure II-4.2: Wheel Wash



Plan View



Elevation View



Section A-A

Notes:

1. Build 8' x 8' sump to accommodate cleaning by trackhoe.

NOT TO SCALE



Wheel Wash

Revised June 2016

Maintenance Standards

Inspect stabilized areas regularly, especially after large storm events.

Crushed rock, gravel base, etc., shall be added as required to maintain a stable driving surface and to stabilize any areas that have eroded.

Following construction, these areas shall be restored to pre-construction condition or better to prevent future erosion.

Perform street cleaning at the end of each day or more often if necessary.

BMP C120: Temporary and Permanent Seeding

Purpose

Seeding reduces erosion by stabilizing exposed soils. A well-established vegetative cover is one of the most effective methods of reducing erosion.

Conditions of Use

- Use seeding throughout the project on disturbed areas that have reached final grade or that will remain unworked for more than 30 days. See [II-2.5 Element 5: Stabilize Soils](#) for specific timelines for stabilizing exposed soils.
- See [Table II-4.4: Seeding Windows in Western Washington \(continued\)](#) for appropriate seeding windows.
- Review all disturbed areas in late August to early September and complete all seeding by the end of September. Otherwise, vegetation will not establish itself enough to provide more than average protection.
- Mulch is required at all times for seeding because it protects seeds from heat, moisture loss, and transport due to runoff. Mulch can be applied on top of the seed or simultaneously by hydroseeding. See [BMP C121: Mulching](#) for specifications.
- Seed and mulch all disturbed areas not otherwise vegetated at final site stabilization. Final stabilization means the completion of all soil disturbing activities at the site and the establishment of a permanent vegetative cover, or equivalent permanent stabilization measures (such as pavement, riprap, gabions, or geotextiles) which will prevent erosion. See [BMP T5.13: Post-Construction Soil Quality and Depth](#).

Table II-4.4: Seeding Windows in Western Washington

Month	Seeding Recommendations
January	Seeding requires a cover of mulch or an erosion control blanket until 75% grass cover is established
February	
March	

Table II-4.4: Seeding Windows in Western Washington (continued)

Month	Seeding Recommendations
April	Optimum seeding window
May	
June	
July	Seeding requires irrigation until 75% grass cover is established
August	
September	Optimum seeding window
October	Seeding requires a cover of mulch or an erosion control blanket until 75 percent grass cover is established
November	
December	

Design and Installation Specifications

General

- Install channels intended for vegetation before starting major earthwork and hydroseed with a Bonded Fiber Matrix (BFM). For vegetated channels that will have high flows, install erosion control blankets over the top of hydroseed. Before allowing water to flow in vegetated channels, establish a 75% vegetation cover. If vegetated channels cannot be established by seed before water flow, install sod or prevegetated mats in the channel bottom over top of hydromulch and erosion control blankets.
- Confirm the installation of all required stormwater control measures to prevent seed from washing away.
- Hydroseed applications shall include a minimum of 1,500 pounds per acre (lb/acre) of mulch with 3% tackifier. See [BMP C121: Mulching](#) for specifications.
- Areas that will have seeding only, and not landscaping, may need compost or meal-based mulch included in the hydroseed in order to establish vegetation. Re-install native topsoil on the disturbed soil surface before application. See [BMP T5.13: Post-Construction Soil Quality and Depth](#).
- When installing seed via hydroseeding operations, only about 1/3 of the seed actually ends up in contact with the soil surface. This reduces the ability to establish a good stand of grass quickly. To overcome this, consider increasing seed quantities by up to 50 percent.
- Vegetation establishment can be enhanced by one of the following two approaches:
 - Approach 1: Enhance vegetation establishment by dividing the hydromulch operation into two phases:

- Phase 1 – Install all seed and fertilizer with 25% to 30% mulch and tackifier onto the soil in the first lift.
- Phase 2 – Install the remaining mulch and tackifier over the first lift.
- Approach 2: Vegetation can also be enhanced by:
 - Installing the mulch, seed, fertilizer, and tackifier in one lift;
 - Spreading or blowing straw over the top of the hydromulch at a rate of about 800 to 1,000 lb/acre; or
 - Holding straw in place with a standard tackifier.

Both of these approaches (Approach 1 and Approach 2) will increase cost moderately but will greatly improve and enhance vegetative establishment. The increased cost may be offset by the reduced need for:

- Irrigation,
- Reapplication of mulch, and
- Repair of failed slope surfaces.

Either of these approaches can use standard hydromulch (1,500 lb/acre minimum) and BFM/mechanically bonded fiber matrix (MBFM) (3,000 lb/acre minimum).

- Seed may be installed by hand if it is:
 - Temporary and covered by straw, mulch, or topsoil; or
 - Permanent in small areas (usually less than 1 acre) and covered with mulch, topsoil, or erosion blankets.
- Consult the local suppliers and/or the local conservation district for their recommendations for appropriate seed mixes and application rates. The appropriate mix depends on a variety of factors, including location, exposure, soil type, slope, and expected foot traffic.
- In addition to meeting erosion control functions and not hindering maintenance operations, selection of long-lived, successional growth native vegetation that can compete against or exclude weeds and grow with minimal maintenance after plant establishment is preferred. Provide diversity to the greatest extent possible and plan for a succession of flowering times to improve pollinator habitat.
- The seed mixes listed in [Table II-4.5: Temporary and Permanent Seed Mixes for Western Washington \(continued\)](#) include recommended mixes for both temporary and permanent seeding. Alternative seed mixes approved by the local jurisdiction may also be used.
- Apply the mixes in [Table II-4.5: Temporary and Permanent Seed Mixes for Western Washington \(continued\)](#), with the exception of the wet area seed mix, at a rate of 120 pounds per acre. This rate can be reduced if soil amendments or slow-release fertilizers are used. Apply the wet area seed mix at a rate of 60 pounds per acre.

Table II-4.5: Temporary and Permanent Seed Mixes for Western Washington

Common Name	Latin Name	% Weight	% Purity	% Germination
Temporary Erosion Control Seed Mix				
A standard mix for areas requiring a temporary vegetative cover.				
Chewings or annual blue grass	<i>Festuca rubra</i> var. <i>commutata</i> or <i>Poa anna</i>	40	98	90
Perennial rye	<i>Lolium perenne</i>	50	98	90
Redtop or colonial bentgrass	<i>Agrostis alba</i> or <i>Agrostis tenuis</i>	5	92	85
White dutch clover	<i>Trifolium repens</i>	5	98	90
Landscaping Seed Mix				
A recommended mix for landscaping seed.				
Perennial rye blend	<i>Lolium perenne</i>	70	98	90
Chewings and red fescue blend	<i>Festuca rubra</i> var. <i>commutata</i> or <i>Festuca rubra</i>	30	98	90
Low-Growing Turf Seed Mix				
A turf seed mix for dry situations where there is no need for watering. This mix requires very little maintenance.				
Dwarf tall fescue (several varieties)	<i>Festuca arundinacea</i> var.	45	98	90
Dwarf perennial rye (Barclay)	<i>Lolium perenne</i> var. <i>barclay</i>	30	98	90
Red fescue	<i>Festuca rubra</i>	20	98	90
Colonial bentgrass	<i>Agrostis tenuis</i>	5	98	90
Bioswale Seed Mix				
A seed mix for bioswales and other intermittently wet areas.				
Tall or meadow fescue	<i>Festuca arundinacea</i> or <i>Festuca elatior</i>	75-80	98	90
Seaside/Creeping bentgrass	<i>Agrostis palustris</i>	10-15	92	85
Redtop bentgrass	<i>Agrostis alba</i> or <i>Agrostis gigantea</i>	5-10	90	80
Wet Area Seed Mix				

Table II-4.5: Temporary and Permanent Seed Mixes for Western Washington (continued)

Common Name	Latin Name	% Weight	% Purity	% Germination
A low-growing, relatively non-invasive seed mix appropriate for very wet areas that are not regulated wetlands. Consult Hydraulic Permit Authority (HPA) for seed mixes if applicable.				
Tall or meadow fescue	<i>Festuca arundinacea</i> or <i>Festuca elatior</i>	60-70	98	90
Seaside/Creeping bentgrass	<i>Agrostis palustris</i>	10-15	98	85
Meadow foxtail	<i>Alepocurus pratensis</i>	10-15	90	80
Alsike clover	<i>Trifolium hybridum</i>	1-6	98	90
Redtop bentgrass	<i>Agrostis alba</i>	1-6	92	85
Meadow Seed Mix				
A recommended meadow seed mix for infrequently maintained areas or non-maintained areas where colonization by native plants is desirable. Likely applications include rural road and utility right-of-way. Seeding should take place in September or very early October in order to obtain adequate establishment prior to the winter months. Consider the appropriateness of clover, a fairly invasive species, in the mix. Amending the soil can reduce the need for clover.				
Redtop or Oregon bentgrass	<i>Agrostis alba</i> or <i>Agrostis oregonensis</i>	20	92	85
Red fescue	<i>Festuca rubra</i>	70	98	90
White dutch clover	<i>Trifolium repens</i>	10	98	90

Roughening and Rototilling

- The seedbed should be firm and rough. Roughen all soil no matter what the slope. Track walk slopes before seeding if engineering purposes require compaction. Backblading or smoothing of slopes greater than 4H:1V is not allowed if they are to be seeded.
- Restoration-based landscape practices require deeper incorporation than that provided by a simple, single-pass rototilling treatment. Wherever practical, initially rip the subgrade to improve long-term permeability, infiltration, and water inflow qualities. At a minimum, permanent areas shall receive soil amendments to achieve organic matter and permeability performance defined in engineered soil/landscape systems. For systems that are deeper than 8 inches, complete the rototilling process in multiple lifts, or prepare the soil amendments per the specifications and place to achieve the specified depth.

Fertilizers

- Conducting soil tests to determine the exact type and quantity of fertilizer needed is recommended. This will prevent the overapplication of fertilizer.
- Organic matter is the most appropriate form of fertilizer because it provides nutrients (including nitrogen, phosphorus, and potassium) in the least water-soluble form.
- In general, use 10-4-6 N-P-K (nitrogen-phosphorus-potassium) fertilizer at a rate of 90 pounds per acre.
- Always use slow-release fertilizers because they are more efficient and have fewer environmental impacts. Do not add fertilizer to the hydromulch machine, or agitate, more than 20 minutes before use. Too much agitation destroys the slow-release coating.
- There are numerous products available to take the place of chemical fertilizers, including several with seaweed extracts that are beneficial to soil microbes and organisms. If 100% cottonseed meal is used as the mulch in hydroseed, chemical fertilizer may not be necessary. Cottonseed meal provides a good source of long-term, slow-release, available nitrogen.

Bonded Fiber Matrix and Mechanically Bonded Fiber Matrix

- On steep slopes, use Bonded Fiber Matrix (BFM) or Mechanically Bonded Fiber Matrix (MBFM) products. Apply BFM/MBFM products at a minimum rate of 3,000 pounds per acre with approximately 10% tackifier. Achieve a minimum of 95% soil coverage during application. Numerous products are available commercially. Most products require 24-36 hours to cure before rainfall, and cannot be installed on wet or saturated soils. Generally, products come in 40-50 pound bags and include all necessary ingredients except for seed and fertilizer.
- Install products per manufacturer's instructions.
- BFMs and MBFMs provide good alternatives to blankets in most areas requiring vegetation establishment. Advantages over blankets include the following:
 - BFM and MBFMs do not require surface preparation.
 - Helicopters can assist in installing BFM and MBFMs in remote areas.
 - On slopes steeper than 2.5H:1V, blanket installers may require ropes and harnesses for safety.
 - Installing BFM and MBFMs can save at least \$1,000 per acre compared to blankets.

Maintenance Standards

- Reseed any seeded areas that fail to establish at least 75% cover (100% cover for areas that receive sheet or concentrated flows) of all seeded areas after 3 months of active growth following germination during the growing season. If reseeding is ineffective, use an alternate method, such as sodding, mulching, or nets/blankets. If winter weather prevents

adequate grass growth, this time limit may be relaxed at the discretion of the local authority when sensitive areas would otherwise be protected.

- Reseed and protect by mulch any areas that experience erosion after achieving adequate cover. If the erosion problem is drainage related, the problem shall be fixed and the eroded area reseeded and protected by mulch.
- Supply seeded areas with adequate moisture, but do not water to the extent that it causes runoff.

Approved as Functionally Equivalent

Ecology has approved products as able to meet the requirements of this BMP. The products did not pass through the Technology Assessment Protocol – Ecology (TAPE) process. Local jurisdictions may choose not to accept these products, or may require additional testing prior to consideration for local use. Products that Ecology has approved as functionally equivalent are available for review on Ecology's website at:

<https://ecology.wa.gov/Regulations-Permits/Guidance-technical-assistance/Stormwater-permittee-guidance-resources/Emerging-stormwater-treatment-technologies>

BMP C121: Mulching

Purpose

Mulching soils provides immediate temporary protection from erosion. Mulch also enhances plant establishment by conserving moisture, holding fertilizer, seed, and topsoil in place, and moderating soil temperatures. There are a variety of mulches that can be used. This section discusses only the most common types of mulch.

Conditions of Use

As a temporary cover measure, mulch should be used:

- For less than 30 days on disturbed areas that require cover.
- At all times for seeded areas, especially during the wet season and during the hot summer months.
- During the wet season on slopes steeper than 3H:1V with more than 10 feet of vertical relief.

Mulch may be applied at any time of the year and must be refreshed periodically.

For seeded areas, mulch may be made up of 100 percent:

- Cottonseed meal;
- Fibers made of wood, recycled cellulose, hemp, or kenaf;

Any areas that experience erosion shall be remulched and/or protected with a net or blanket. If the erosion problem is drainage related, then the problem shall be fixed and the eroded area remulched.

BMP C122: Nets and Blankets

Purpose

Erosion control nets and blankets are intended to prevent erosion and hold seed and mulch in place on steep slopes and in channels so that vegetation can become well established. In addition, some nets and blankets can be used to permanently reinforce turf to protect drainage systems during high flows.

Nets (commonly called matting) are strands of material woven into an open, but high-tensile strength net (e.g. coconut fiber matting). Blankets are strands of material that are not tightly woven, but instead form a layer of interlocking fibers, typically held together by a biodegradable or photodegradable netting (for example, excelsior or straw blankets). They generally have lower tensile strength than nets, but cover the ground more completely. Coir (coconut fiber) fabric comes as both nets and blankets.

Conditions of Use

Erosion control netting and blankets shall be made of natural plant fibers unaltered by synthetic materials.

Erosion control nets and blankets should be used:

- To aid permanent vegetated stabilization of slopes 2H:1V or greater and with more than 10 feet of vertical relief.
- For drainage ditches and swales (highly recommended). The application of appropriate netting or blanket to drainage ditches and swales can protect bare soil from channelized runoff while vegetation is established. Nets and blankets also can capture a great deal of sediment due to their open, porous structure. Nets and blankets can be used to permanently stabilize channels and may provide a cost-effective, environmentally preferable alternative to riprap.

Disadvantages of nets and blankets include:

- Surface preparation is required.
- On slopes steeper than 2.5H:1V, net and blanket installers may need to be roped and harnessed for safety.
- They cost at least \$4,000 - \$6,000 per acre installed.

Advantages of nets and blankets include:

- Installation without mobilizing special equipment.
- Installation by anyone with minimal training

- Installation in stages or phases as the project progresses.
- Installers can hand place seed and fertilizer as they progress down the slope.
- Installation in any weather.
- There are numerous types of nets and blankets that can be designed with various parameters in mind. Those parameters include: fiber blend, mesh strength, longevity, biodegradability, cost, and availability.

An alternative to nets and blankets in some limited conditions is [BMP C202: Riprap Channel Lining](#). Ensure that [BMP C202: Riprap Channel Lining](#) is appropriate before using it as a substitute for nets and blankets.

Design and Installation Specifications

- See [Figure II-4.3: Channel Installation \(Clackamas County et al., 2008\)](#) and [Figure II-4.4: Slope Installation](#) for typical orientation and installation of nets and blankets used in channels and as slope protection. Note: these are typical only; all nets and blankets must be installed per manufacturer's installation instructions.
- Installation is critical to the effectiveness of these products. If good ground contact is not achieved, runoff can concentrate under the product, resulting in significant erosion.
- Install nets and blankets on slopes per the following steps:

1. Complete final grade and track walk up and down the slope. Soils should be raked and uniform prior to installing nets or blankets. To be effective, nets and blankets must have good adhesion to the soil.
2. Install hydromulch with seed and fertilizer.
3. Dig a small trench, approximately 12 inches wide by 6 inches deep along the top of the slope.
4. Install the leading edge of the net/blanket into the small trench and staple approximately every 18 inches.

NOTE: Staples are metal, "U"-shaped, and a minimum of 6 inches long. Longer staples are used in sandy soils. Biodegradable stakes are also available.

5. Roll the net/blanket slowly down the slope as the installer walks backward.

NOTE: The net/blanket rests against the installer's legs. Staples are installed as the net/blanket is unrolled. It is critical that the proper staple pattern is used for the net/blanket being installed. The net/blanket is not to be allowed to roll down the slope on its own as this stretches the net/blanket, making it impossible to maintain soil contact. In addition, no one is allowed to walk on the net/blanket after it is in place.

6. If the net/blanket is not long enough to cover the entire slope length, the trailing edge of the upper net/blanket should overlap the leading edge of the lower net/blanket and be stapled. On steeper slopes, this overlap should be installed in a small trench, stapled, and covered with soil.

- With the variety of products available, it is impossible to cover all the details of appropriate use and installation. Therefore, it is critical that the designer consult the manufacturer's information and that a site visit takes place in order to ensure that the product specified is appropriate. Information is also available in WSDOT's *Standard Specifications for Road, Bridge, and Municipal Construction* Division 8-01 and Division 9-14 ([WSDOT, 2016](#)).
- Use jute matting in conjunction with mulch ([BMP C121: Mulching](#)). Excelsior, woven straw blankets and coir (coconut fiber) blankets may be installed without mulch. There are many other types of erosion control nets and blankets on the market that may be appropriate in certain circumstances.
- In general, most nets (e.g., jute matting) require mulch in order to prevent erosion because they have a fairly open structure. Blankets typically do not require mulch because they usually provide complete protection of the surface.
- Extremely steep, unstable, wet, or rocky slopes are often appropriate candidates for use of synthetic blankets, as are riverbanks, beaches and other high-energy environments. If synthetic blankets are used, the soil should be hydromulched first.
- 100 percent biodegradable blankets are available for use in sensitive areas. These organic blankets are usually held together with a paper or fiber mesh and stitching which may last up to a year.
- Most netting used with blankets is photodegradable, meaning it breaks down under sunlight (not UV stabilized). However, this process can take months or years even under bright sun. Once vegetation is established, sunlight does not reach the mesh. It is not uncommon to find non-degraded netting still in place several years after installation. This can be a problem if maintenance requires the use of mowers or ditch cleaning equipment. In addition, birds and small animals can become trapped in the netting.

Maintenance Standards

- Maintain good contact with the ground. Erosion must not occur beneath the net or blanket.
- Repair and staple any areas of the net or blanket that are damaged or not in close contact with the ground.
- Fix and protect eroded areas if erosion occurs due to poorly controlled drainage.

Figure II-4.3: Channel Installation

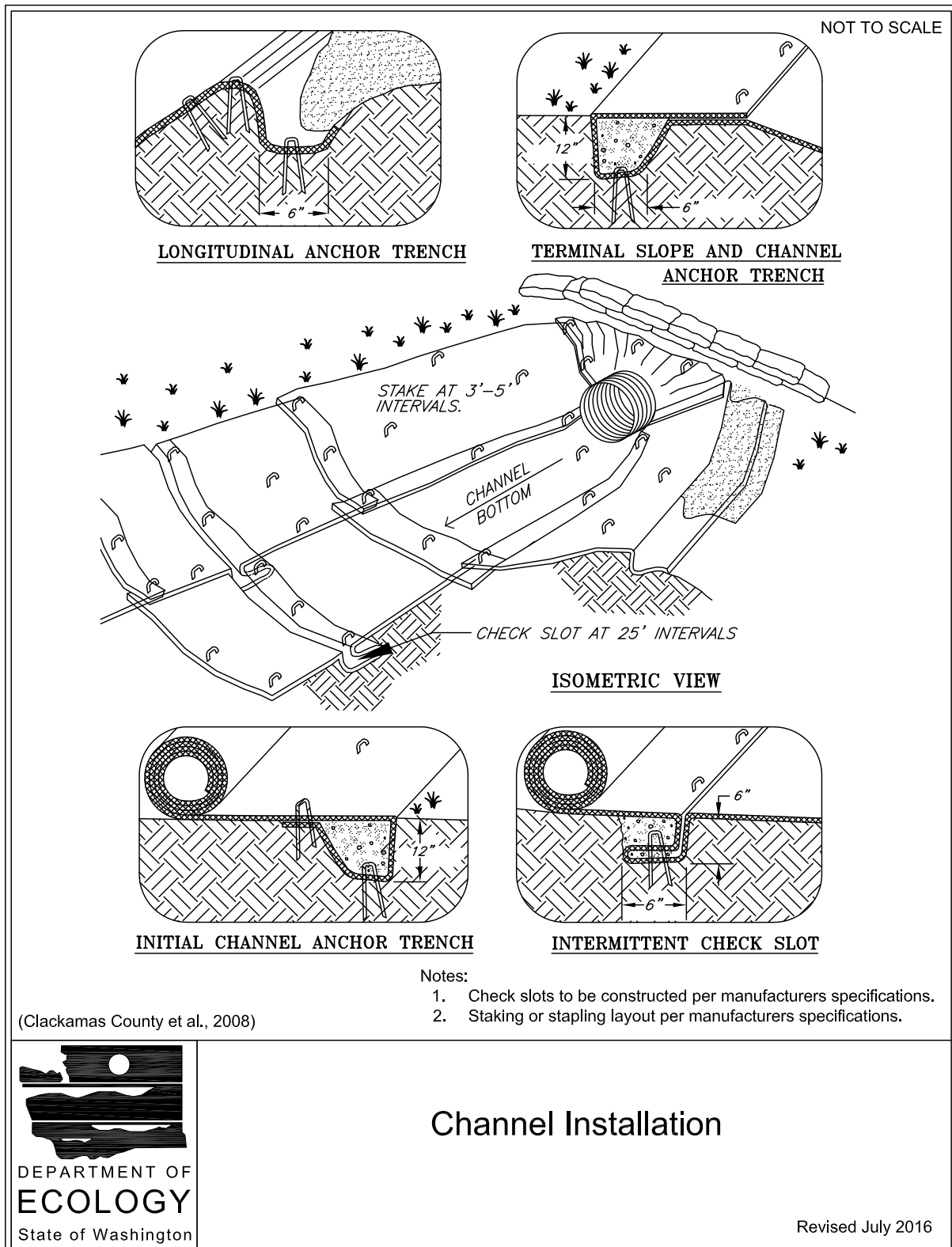
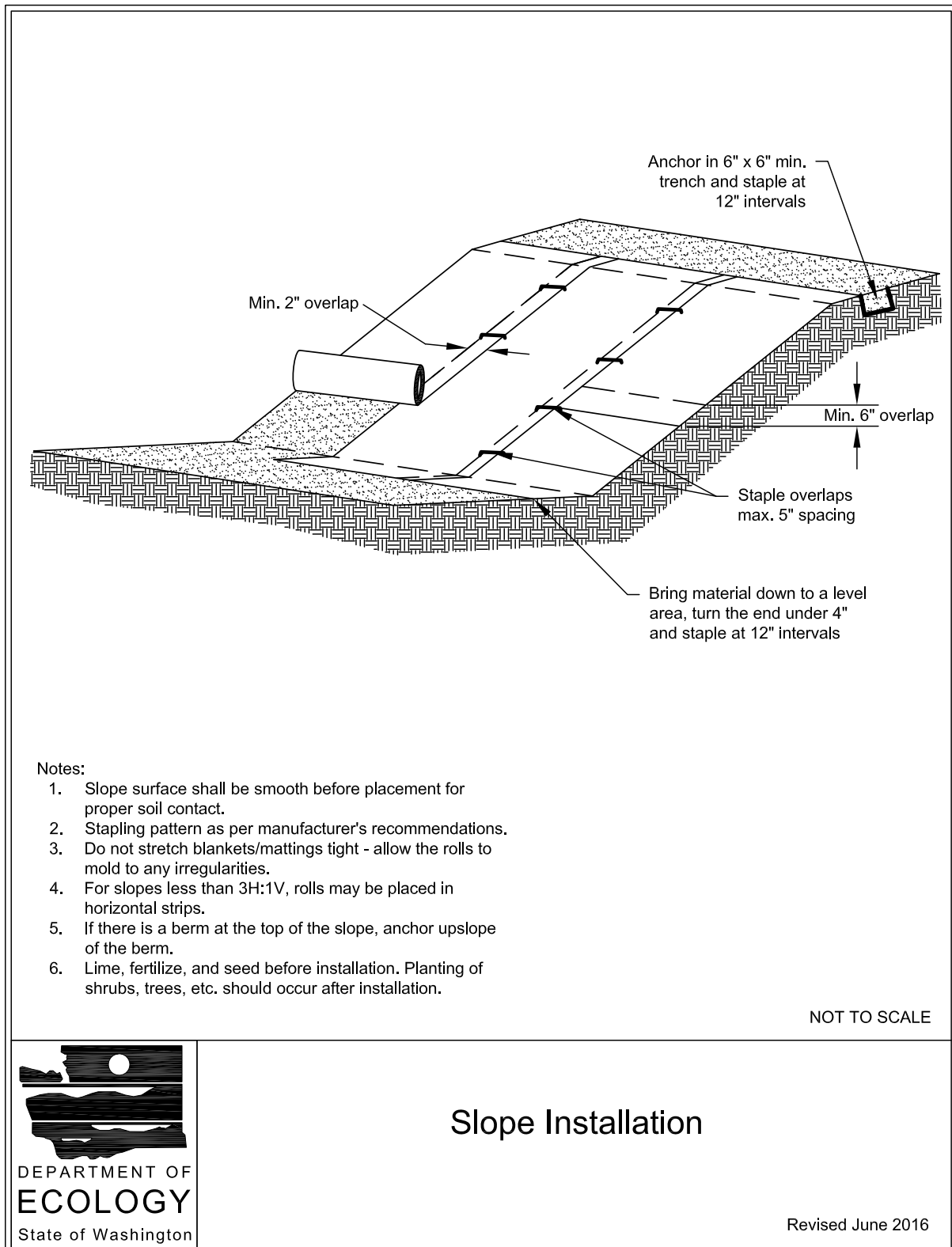


Figure II-4.4: Slope Installation



BMP C140: Dust Control

Purpose

Dust control prevents wind transport of dust from disturbed soil surfaces onto roadways, into drainage systems, and into surface waters.

Conditions of Use

Use dust control in areas (including roadways) subject to surface and air movement of dust where on-site or off-site impacts to roadways, drainage systems, or surface waters are likely.

Design and Installation Specifications

- Vegetate or mulch areas that will not receive vehicle traffic. In areas where planting, mulching, or paving is impractical, apply gravel or landscaping rock.
- Limit dust generation by clearing only those areas where immediate activity will take place, leaving the remaining area(s) in the original condition. Maintain the original ground cover as long as practical.
- Construct natural or artificial windbreaks or windscreens. These may be designed as enclosures for small dust sources.
- Sprinkle the site with water until the surface is wet. Repeat as needed. To prevent carryout of mud onto the street, refer to [BMP C105: Stabilized Construction Access](#) and [BMP C106: Wheel Wash](#).
- Irrigation water can be used for dust control. Irrigation systems should be installed as a first step on sites where dust control is a concern.
- Spray exposed soil areas with a dust palliative, following the manufacturer's instructions and cautions regarding handling and application. Used oil is prohibited from use as a dust suppressant. Local jurisdictions may approve other dust palliatives such as calcium chloride or PAM.
- PAM ([BMP C126: Polyacrylamide \(PAM\) for Soil Erosion Protection](#)) added to water at a rate of 0.5 pounds per 1,000 gallons of water per acre and applied from a water truck is more effective than water alone. This is due to the increased infiltration of water into the soil and reduced evaporation. In addition, small soil particles are bonded together and are not as easily transported by wind. Adding PAM may reduce the quantity of water needed for dust control.

Note that the application rate specified here applies to this BMP, and is not the same application rate that is specified in [BMP C126: Polyacrylamide \(PAM\) for Soil Erosion Protection](#), but the downstream protections still apply.

Refer to [BMP C126: Polyacrylamide \(PAM\) for Soil Erosion Protection](#) for conditions of use. PAM shall not be directly applied to water or allowed to enter a water body. PAM use shall

be reviewed and approved by the local permitting authority and discharge of PAM may be a basis for penalties per [RCW 90.48.080](#).

- Contact your local Air Pollution Control Authority for guidance and training on other dust control measures. Compliance with the local Air Pollution Control Authority constitutes compliance with this BMP. See the following website for more information:

<https://ecology.wa.gov/About-us/Our-role-in-the-community/Partnerships-committees/Clean-air-agencies>

- Use vacuum street sweepers.
- Remove mud and other dirt promptly so it does not dry and then turn into dust.
- Techniques that can be used for unpaved roads and lots include:
 - Lower speed limits. High vehicle speed increases the amount of dust stirred up from unpaved roads and lots.
 - Upgrade the road surface strength by improving particle size, shape, and mineral types that make up the surface and base materials.
 - Add surface gravel to reduce the source of dust emission. Limit the amount of fine particles (those smaller than .075 mm) to 10 to 20 percent.
 - Use geotextile fabrics to increase the strength of new roads or roads undergoing reconstruction.
 - Encourage the use of alternate, paved routes, if available.
 - Apply chemical dust suppressants using the admix method, blending the product with the top few inches of surface material. Suppressants may also be applied as surface treatments.
 - Limit dust-generating work on windy days.
 - Pave unpaved permanent roads and other trafficked areas.

Maintenance Standards

Respray area as necessary to keep dust to a minimum.

BMP C150: Materials on Hand

Purpose

Keep quantities of erosion prevention and sediment control materials on the project site at all times to be used for regular maintenance and emergency situations such as unexpected heavy rains. Having these materials on-site reduces the time needed to replace existing or implement new BMPs when inspections indicate that existing BMPs are not meeting the Construction SWPPP requirements. In addition, contractors can save money by buying some materials in bulk and storing them at their office or yard.

- At no time shall concrete be washed off into the footprint of an area where an infiltration feature will be installed.
- Wash equipment difficult to move, such as concrete paving machines, in areas that do not directly drain to natural or constructed stormwater conveyance or potential infiltration areas.
- Do not allow washwater from areas, such as concrete aggregate driveways, to drain directly (without detention or treatment) to natural or constructed stormwater conveyances.
- Contain washwater and leftover product in a lined container when no designated concrete washout areas (or formed areas, allowed as described above) are available. Dispose of contained concrete and concrete washwater (process water) properly.
- Always use forms or solid barriers for concrete pours, such as pilings, within 15-feet of surface waters.
- Refer to [BMP C252: Treating and Disposing of High pH Water](#) for pH adjustment requirements.
- Refer to the Construction Stormwater General Permit (CSWGP) for pH monitoring requirements if the project involves one of the following activities:
 - Significant concrete work (as defined in the CSWGP).
 - The use of soils amended with (but not limited to) Portland cement-treated base, cement kiln dust or fly ash.
 - Discharging stormwater to segments of water bodies on the 303(d) list (Category 5) for high pH.

Maintenance Standards

Check containers for holes in the liner daily during concrete pours and repair the same day.

BMP C152: Sawcutting and Surfacing Pollution Prevention

Purpose

Sawcutting and surfacing operations generate slurry and process water that contain fine particles and have a high pH (concrete cutting), both of which can violate the water quality standards in the receiving water. Concrete spillage or concrete discharge to waters of the State is prohibited. Use this BMP to minimize and eliminate process water and slurry created by sawcutting or surfacing from entering waters of the State.

Conditions of Use

Utilize these management practices anytime sawcutting or surfacing operations take place. Sawcutting and surfacing operations include, but are not limited to:

- Sawing
- Coring
- Grinding
- Roughening
- Hydro-demolition
- Bridge and road surfacing

Design and Installation Specifications

- Vacuum slurry and cuttings during cutting and surfacing operations.
- Slurry and cuttings shall not remain on permanent concrete or asphalt pavement overnight.
- Slurry and cuttings shall not drain to any natural or constructed drainage conveyance including stormwater systems. This may require temporarily blocking catch basins.
- Dispose of collected slurry and cuttings in a manner that does not violate groundwater or surface water quality standards.
- Do not allow process water generated during hydro-demolition, surface roughening, or similar operations to drain to any natural or constructed drainage conveyance including stormwater systems. Dispose of process water in a manner that does not violate groundwater or surface water quality standards.
- Handle and dispose of cleaning waste material and demolition debris in a manner that does not cause contamination of water. Dispose of sweeping material from a pick-up sweeper at an appropriate disposal site.

Maintenance Standards

Continually monitor operations to determine whether slurry, cuttings, or process water could enter waters of the state. If inspections show that a violation of water quality standards could occur, stop operations and immediately implement preventive measures such as berms, barriers, secondary containment, and/or vacuum trucks.

BMP C153: Material Delivery, Storage, and Containment

Purpose

Prevent, reduce, or eliminate the discharge of pollutants to the stormwater system or water-courses from material delivery and storage. Minimize the storage of hazardous materials on-site, store materials in a designated area, and install secondary containment.

Conditions of Use

Use at construction sites with delivery and storage of the following materials:

- Petroleum products such as fuel, oil and grease
- Soil stabilizers and binders (e.g., polyacrylamide)
- Fertilizers, pesticides, and herbicides
- Detergents
- Asphalt and concrete compounds
- Hazardous chemicals such as acids, lime, adhesives, paints, solvents, and curing compounds
- Any other material that may be detrimental if released to the environment

Design and Installation Specifications

- The temporary storage area should be located away from vehicular traffic, near the construction entrance(s), and away from waterways or storm drains.
- Safety Data Sheets (SDS) should be supplied for all materials stored. Chemicals should be kept in their original labeled containers.
- Hazardous material storage on-site should be minimized.
- Hazardous materials should be handled as infrequently as possible.
- During the wet weather season (October 1 – April 30), consider storing materials in a covered area.
- Materials should be stored in secondary containments, such as an earthen dike, horse trough, or even a children’s wading pool for non-reactive materials such as detergents, oil, grease, and paints. Small amounts of material may be secondarily contained in “bus boy” trays or concrete mixing trays.
- Do not store chemicals, drums, or bagged materials directly on the ground. Place these items on a pallet and, when possible, within secondary containment.
- If drums must be kept uncovered, store them at a slight angle to reduce ponding of rain-water on the lids to reduce corrosion. Domed plastic covers are inexpensive and snap to the top of drums, preventing water from collecting.
- Liquids, petroleum products, and substances listed in 40 CFR Parts 110, 117, or 302 shall be stored in approved containers and drums and shall not be overfilled. Containers and drums shall be stored in temporary secondary containment facilities.
- Temporary secondary containment facilities shall provide for a spill containment volume able to contain 10% of the total enclosed container volume of all containers, or 110% of the capacity of the largest container within its boundary, whichever is greater.

- Secondary containment facilities shall be impervious to the materials stored therein for a minimum contact time of 72 hours.
- Sufficient separation should be provided between stored containers to allow for spill cleanup and emergency response access.
- During the wet weather season (Oct 1 – April 30), each secondary containment facility shall be covered during non-working days.
- Secondary containment facilities shall be covered at all times, except when in active use.
- Keep material storage areas clean, organized, and equipped with an ample supply of appropriate spill clean-up material (spill kit).
- The spill kit should include, at a minimum:
 - 1 - Water resistant nylon bag
 - 3 - Oil absorbent socks 3"x 4'
 - 2 - Oil absorbent socks 3"x 10'
 - 12 - Oil absorbent pads 17"x19"
 - 1 - Pair splash resistant goggles
 - 3 - Pairs nitrile gloves
 - 10 - Disposable bags with ties
 - Instructions

Maintenance Standards

- Secondary containment facilities shall be maintained free of accumulated rainwater and spills. In the event of spills or leaks, accumulated rainwater and spills shall be collected and placed into drums. These liquids shall be handled as hazardous waste unless testing determines them to be non-hazardous.
- Re-stock spill kit materials as needed.

BMP C154: Concrete Washout Area

Purpose

Prevent or reduce the discharge of pollutants from concrete waste to stormwater by conducting washout off-site, or performing on-site washout in a designated area.

Conditions of Use

Concrete washout areas are implemented on construction projects where:

- Concrete is used as a construction material
- It is not possible to dispose of all concrete wastewater and washout off-site (ready mix plant, etc.).
- Concrete truck drums are washed on-site.

Note that auxiliary concrete truck components (e.g. chutes and hoses) and small concrete handling equipment (e.g. hand tools, screeds, shovels, rakes, floats, trowels, and wheelbarrows) may be washed into formed areas awaiting concrete pour.

At no time shall concrete be washed off into the footprint of an area where an infiltration feature will be installed.

Design and Installation Specifications

Implementation

- Perform washout of concrete truck drums at an approved off-site location or in designated concrete washout areas only.
- Do not wash out concrete onto non-formed areas, or into storm drains, open ditches, streets, or streams.
- Wash equipment difficult to move, such as concrete paving machines, in areas that do not directly drain to natural or constructed stormwater conveyance or potential infiltration areas.
- Do not allow excess concrete to be dumped on-site, except in designated concrete washout areas as allowed above.
- Concrete washout areas may be prefabricated concrete washout containers, or self-installed structures (above-grade or below-grade).
- Prefabricated containers are most resistant to damage and protect against spills and leaks. Companies may offer delivery service and provide regular maintenance and disposal of solid and liquid waste.
- If self-installed concrete washout areas are used, below-grade structures are preferred over above-grade structures because they are less prone to spills and leaks.
- Self-installed above-grade structures should only be used if excavation is not practical.
- Concrete washout areas shall be constructed and maintained in sufficient quantity and size to contain all liquid and concrete waste generated by washout operations.

Education

- Discuss the concrete management techniques described in this BMP with the ready-mix concrete supplier before any deliveries are made.
- Educate employees and subcontractors on the concrete waste management techniques described in this BMP.

- Arrange for the contractor's superintendent or Certified Erosion and Sediment Control Lead (CESCL) to oversee and enforce concrete waste management procedures.
- A sign should be installed adjacent to each concrete washout area to inform concrete equipment operators to utilize the proper facilities.

Contracts

Incorporate requirements for concrete waste management into concrete supplier and sub-contractor agreements.

Location and Placement

- Locate concrete washout areas at least 50 feet from sensitive areas such as storm drains, open ditches, water bodies, or wetlands.
- Allow convenient access to the concrete washout area for concrete trucks, preferably near the area where the concrete is being poured.
- If trucks need to leave a paved area to access the concrete washout area, prevent track-out with a pad of rock or quarry spalls (see [BMP C105: Stabilized Construction Access](#)). These areas should be far enough away from other construction traffic to reduce the likelihood of accidental damage and spills.
- The number of concrete washout areas you install should depend on the expected demand for storage capacity.
- On large sites with extensive concrete work, concrete washout areas should be placed in multiple locations for ease of use by concrete truck drivers.

Concrete Truck Washout Procedures

- Washout of concrete truck drums shall be performed in designated concrete washout areas only.
- Concrete washout from concrete pumper bins can be washed into concrete pumper trucks and discharged into designated concrete washout areas or properly disposed of off-site.

Concrete Washout Area Installation

- Concrete washout areas should be constructed as shown in the figures below, with a recommended minimum length and minimum width of 10 ft, but with sufficient quantity and volume to contain all liquid and concrete waste generated by washout operations.
- Plastic lining material should be a minimum of 10 mil polyethylene sheeting and should be free of holes, tears, or other defects that compromise the impermeability of the material.
- Lath and flagging should be commercial type.
- Liner seams shall be installed in accordance with manufacturers' recommendations.

- Soil base shall be prepared free of rocks or other debris that may cause tears or holes in the plastic lining material.

Maintenance Standards

Inspection and Maintenance

- Inspect and verify that concrete washout areas are in place prior to the commencement of concrete work.
- Once concrete wastes are washed into the designated washout area and allowed to harden, the concrete should be broken up, removed, and disposed of per applicable solid waste regulations. Dispose of hardened concrete on a regular basis.
- During periods of concrete work, inspect the concrete washout areas daily to verify continued performance.
 - Check overall condition and performance.
 - Check remaining capacity (% full).
 - If using self-installed concrete washout areas, verify plastic liners are intact and side-walls are not damaged.
 - If using prefabricated containers, check for leaks.
- Maintain the concrete washout areas to provide adequate holding capacity with a minimum freeboard of 12 inches.
- Concrete washout areas must be cleaned, or new concrete washout areas must be constructed and ready for use once the concrete washout area is 75% full.
- If the concrete washout area is nearing capacity, vacuum and dispose of the waste material in an approved manner.
 - Do not discharge liquid or slurry to waterways, storm drains or directly onto ground.
 - Do not discharge to the sanitary sewer without local approval.
 - Place a secure, non-collapsing, non-water collecting cover over the concrete washout area prior to predicted wet weather to prevent accumulation and overflow of precipitation.
 - Remove and dispose of hardened concrete and return the structure to a functional condition. Concrete may be reused on-site or hauled away for disposal or recycling.
- When you remove materials from a self-installed concrete washout area, build a new structure; or, if the previous structure is still intact, inspect for signs of weakening or damage, and make any necessary repairs. Re-line the structure with new plastic after each cleaning.

Removal of Concrete Washout Areas

- When concrete washout areas are no longer required for the work, the hardened concrete, slurries and liquids shall be removed and properly disposed of.
- Materials used to construct concrete washout areas shall be removed from the site of the work and disposed of or recycled.
- Holes, depressions or other ground disturbance caused by the removal of the concrete washout areas shall be backfilled, repaired, and stabilized to prevent erosion.

Figure II-4.7: Concrete Washout Area with Wood Planks

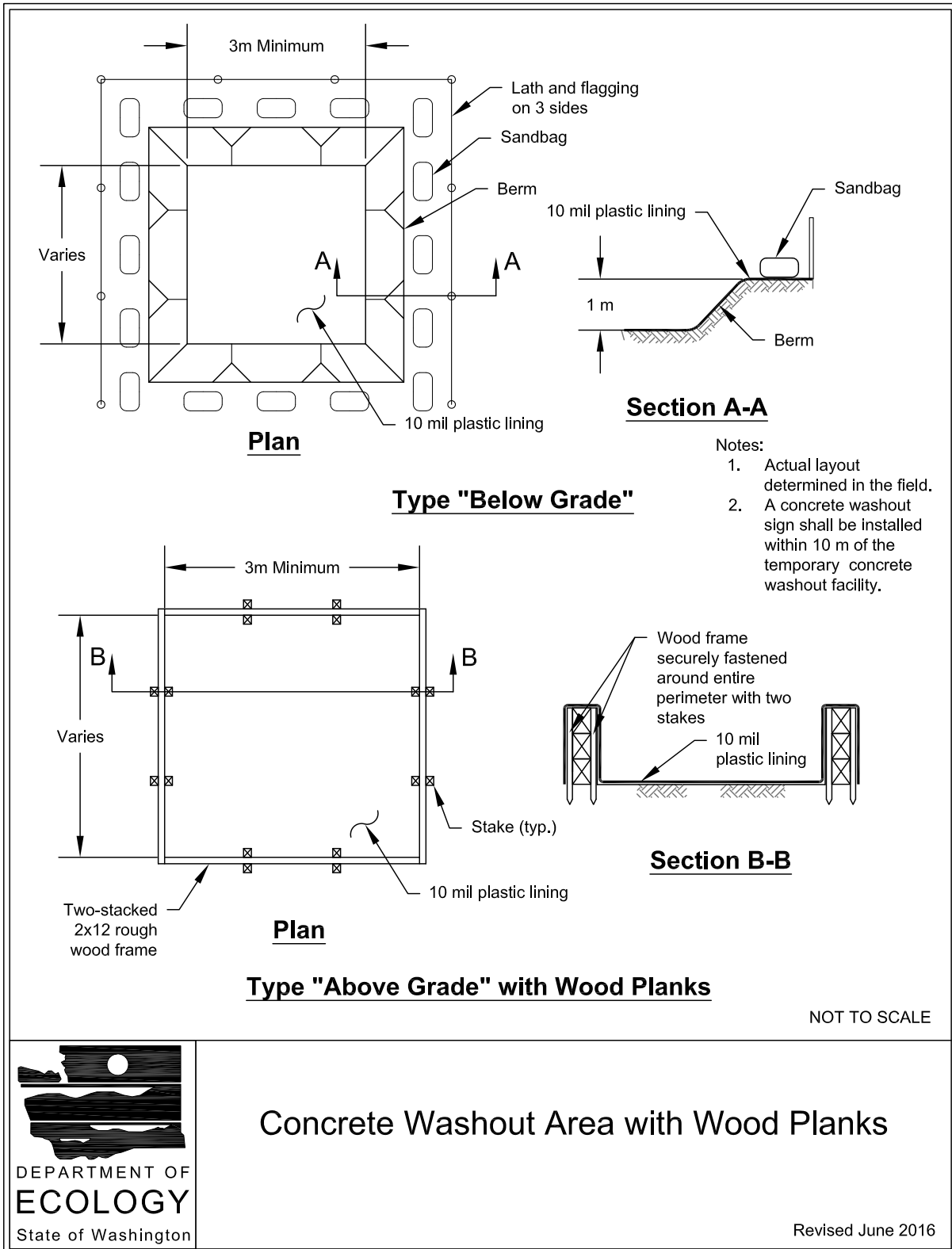
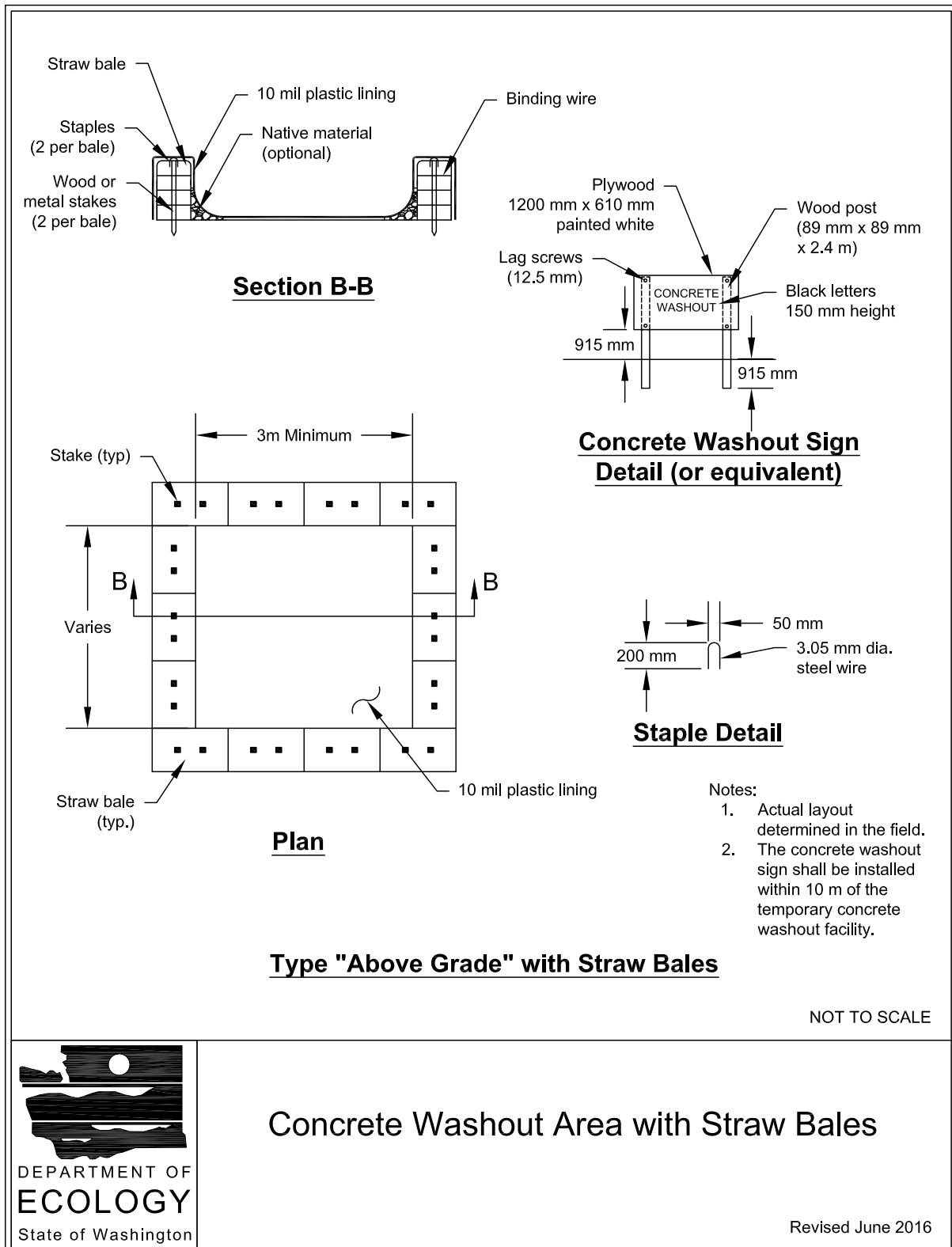


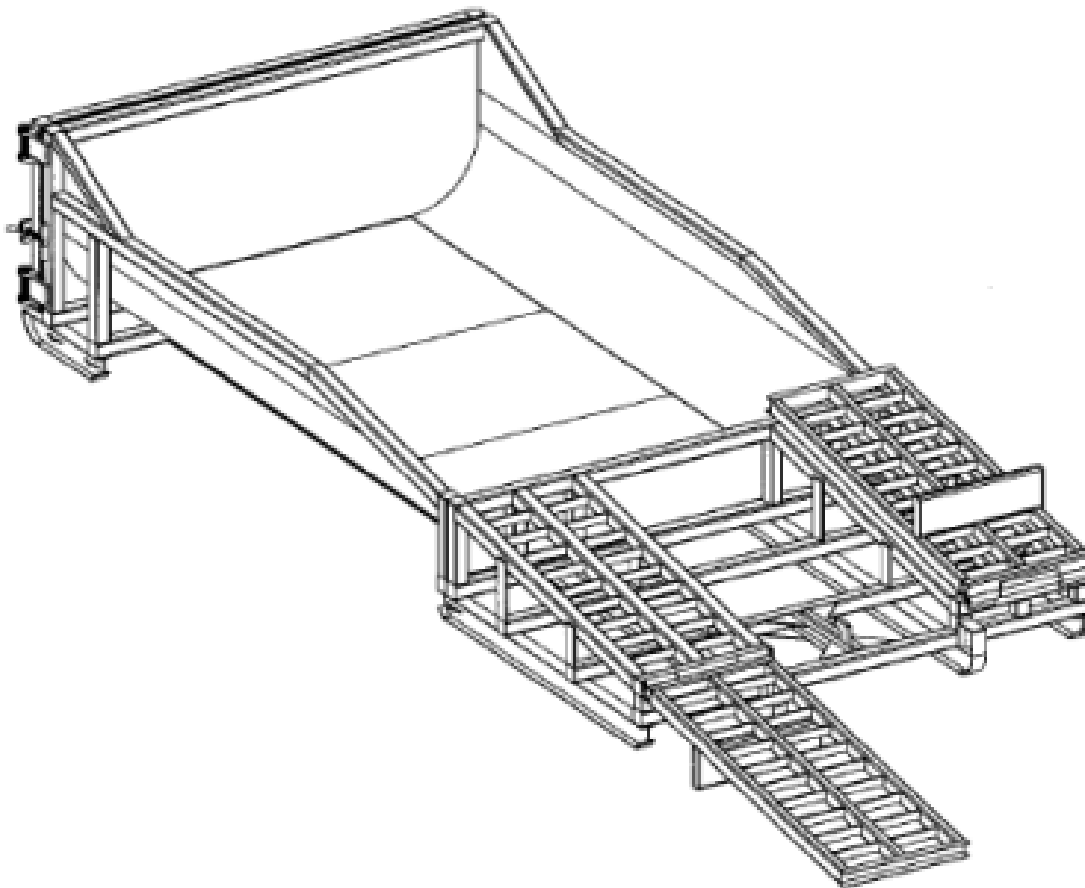
Figure II-4.8: Concrete Washout Area with Straw Bales



Concrete Washout Area with Straw Bales

Revised June 2016

Figure II-4.9: Prefabricated Concrete Washout Container with Ramp



NOT TO SCALE



Prefabricated Concrete Washout Container with Ramp

Revised June 2016

- For a 5 to 10 fps discharge velocity at the outlet, use 24-inch to 48-inch riprap. Minimum thickness is 2 feet.
- For outlets at the base of steep slope pipes (pipe slope greater than 10 percent), use an engineered energy dissipator.
- Filter fabric or erosion control blankets should always be used under riprap to prevent scour and channel erosion. See [BMP C122: Nets and Blankets](#).
- Bank stabilization, bioengineering, and habitat features may be required for disturbed areas. This work may require a Hydraulic Project Approval (HPA) from the Washington State Department of Fish and Wildlife. See [I-2.14 Hydraulic Project Approvals](#).

Maintenance Standards

- Inspect and repair as needed.
- Add rock as needed to maintain the intended function.
- Clean energy dissipator if sediment builds up.

BMP C220: Inlet Protection

Purpose

Inlet protection prevents coarse sediment from entering drainage systems prior to permanent stabilization of the disturbed area.

Conditions of Use

Use inlet protection at inlets that are operational before permanent stabilization of the disturbed areas that contribute runoff to the inlet. Provide protection for all storm drain inlets downslope and within 500 feet of a disturbed or construction area, unless those inlets are preceded by a sediment trapping BMP.

Also consider inlet protection for lawn and yard drains on new home construction. These small and numerous drains coupled with lack of gutters can add significant amounts of sediment into the roof drain system. If possible, delay installing lawn and yard drains until just before landscaping, or cap these drains to prevent sediment from entering the system until completion of landscaping. Provide 18-inches of sod around each finished lawn and yard drain.

[Table II-4.11: Storm Drain Inlet Protection](#) lists several options for inlet protection. All of the methods for inlet protection tend to plug and require a high frequency of maintenance. Limit contributing drainage areas for an individual inlet to one acre or less. If possible, provide emergency overflows with additional end-of-pipe treatment where stormwater ponding would cause a hazard.

Table II-4.11: Storm Drain Inlet Protection

Type of Inlet Protection	Emergency Overflow	Applicable for Paved / Earthen Surfaces	Conditions of Use
Drop Inlet Protection			
Excavated drop inlet protection	Yes, temporary flooding may occur	Earthen	Applicable for heavy flows. Easy to maintain. Large area requirement: 30'x30'/acre
Block and gravel drop inlet protection	Yes	Paved or Earthen	Applicable for heavy concentrated flows. Will not pond.
Gravel and wire drop inlet protection	No	Paved or Earthen	Applicable for heavy concentrated flows. Will pond. Can withstand traffic.
Catch basin filters	Yes	Paved or Earthen	Frequent maintenance required.
Curb Inlet Protection			
Curb inlet protection with wooden weir	Small capacity overflow	Paved	Used for sturdy, more compact installation.
Block and gravel curb inlet protection	Yes	Paved	Sturdy, but limited filtration.
Culvert Inlet Protection			
Culvert inlet sediment trap	N/A	N/A	18 month expected life.

Design and Installation Specifications

Excavated Drop Inlet Protection

Excavated drop inlet protection consists of an excavated impoundment around the storm drain inlet. Sediment settles out of the stormwater prior to entering the storm drain. Design and installation specifications for excavated drop inlet protection include:

- Provide a depth of 1 to 2 feet as measured from the crest of the inlet structure.
- Side slopes of excavation should be no steeper than 2H:1V.
- Minimum volume of excavation is 35 cubic yards.
- Shape the excavation to fit the site, with the longest dimension oriented toward the longest inflow area.
- Install provisions for draining to prevent standing water.
- Clear the area of all debris.

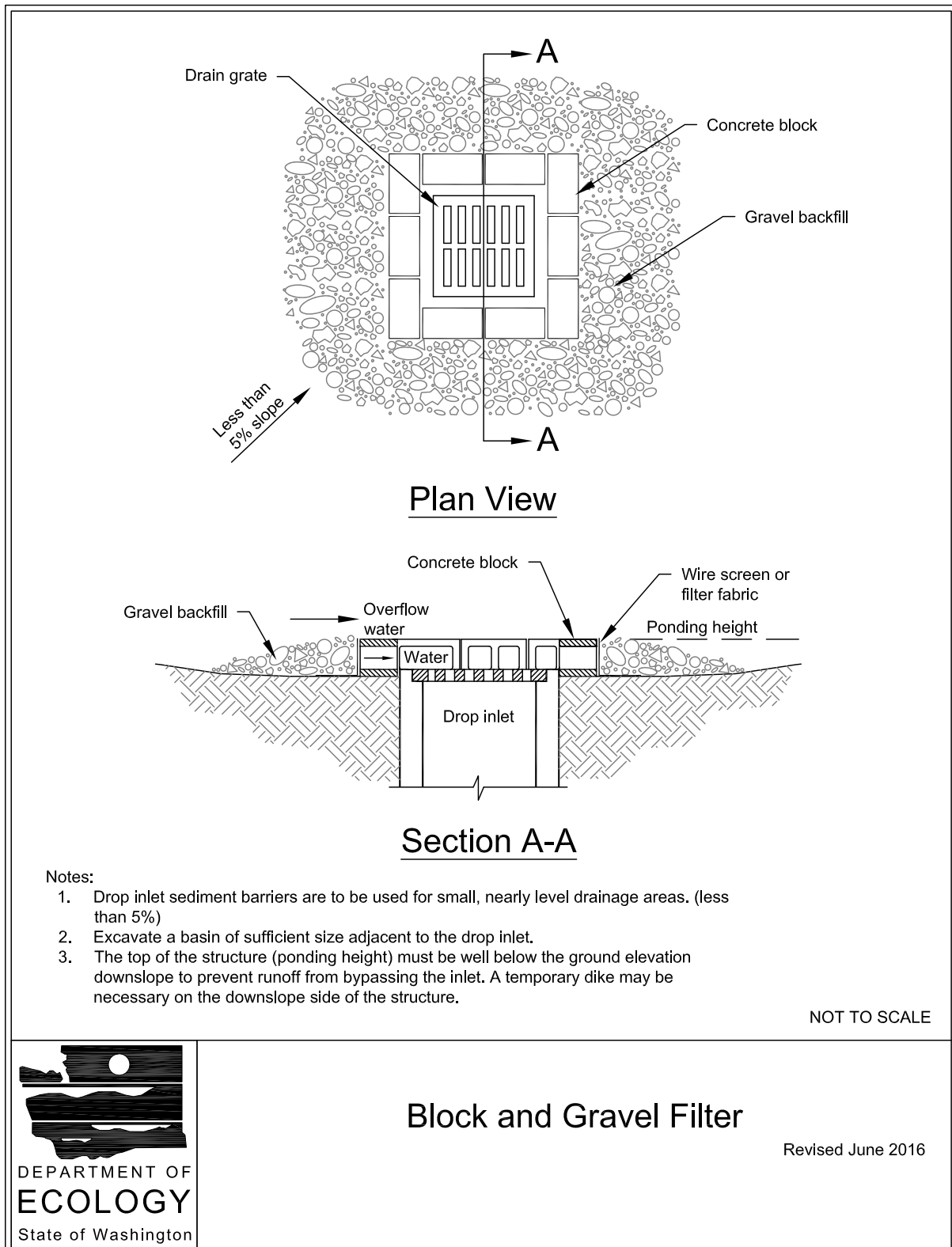
- Grade the approach to the inlet uniformly.
- Drill weep holes into the side of the inlet.
- Protect weep holes with screen wire and washed aggregate.
- Seal weep holes when removing structure and stabilizing area.
- Build a temporary dike, if necessary, to the down slope side of the structure to prevent bypass flow.

Block and Gravel Filter

A block and gravel filter is a barrier formed around the inlet with standard concrete blocks and gravel. See [Figure II-4.17: Block and Gravel Filter](#). Design and installation specifications for block and gravel filters include:

- Provide a height of 1 to 2 feet above the inlet.
- Recess the first row of blocks 2-inches into the ground for stability.
- Support subsequent courses by placing a pressure treated wood (2x4) through the block opening.
- Do not use mortar.
- Lay some blocks in the bottom row on their side to allow for dewatering the pool.
- Place hardware cloth or comparable wire mesh with 0.5-inch openings over all block openings.
- Place gravel to just below the top of blocks on slopes of 2H:1V or flatter.
- An alternative design is a gravel berm surrounding the inlet, as follows:
 - Provide a slope of 3H:1V on the upstream side of the berm.
 - Provide a slope of 2H:1V on the downstream side of the berm.
 - Provide a 1-foot wide level rock area between the gravel berm and the inlet.
 - Use rocks 3 inches in diameter or larger on the upstream slope of the berm.
 - Use gravel 0.5 to 0.75 inch at a minimum thickness of 1-foot on the downstream slope of the berm.

Figure II-4.17: Block and Gravel Filter



Gravel and Wire Mesh Filter

Gravel and wire mesh filters are gravel barriers placed over the top of the inlet. This method does not provide an overflow. Design and installation specifications for gravel and wire mesh filters include:

- Use a hardware cloth or comparable wire mesh with 0.5 inch openings.
 - Place wire mesh over the drop inlet so that the wire extends a minimum of 1-foot beyond each side of the inlet structure.
 - Overlap the strips if more than one strip of mesh is necessary.
- Place coarse aggregate over the wire mesh.
 - Provide at least a 12-inch depth of aggregate over the entire inlet opening and extend at least 18-inches on all sides.

Catch Basin Filters

Catch basin filters are designed by manufacturers for construction sites. The limited sediment storage capacity increases the amount of inspection and maintenance required, which may be daily for heavy sediment loads. To reduce maintenance requirements, combine a catch basin filter with another type of inlet protection. This type of inlet protection provides flow bypass without overflow and therefore may be a better method for inlets located along active rights-of-way. Design and installation specifications for catch basin filters include:

- Provides 5 cubic feet of storage.
- Requires dewatering provisions.
- Provides a high-flow bypass that will not clog under normal use at a construction site.
- Insert the catch basin filter in the catch basin just below the grating.

Curb Inlet Protection with Wooden Weir

Curb inlet protection with wooden weir is an option that consists of a barrier formed around a curb inlet with a wooden frame and gravel. Design and installation specifications for curb inlet protection with wooden weirs include:

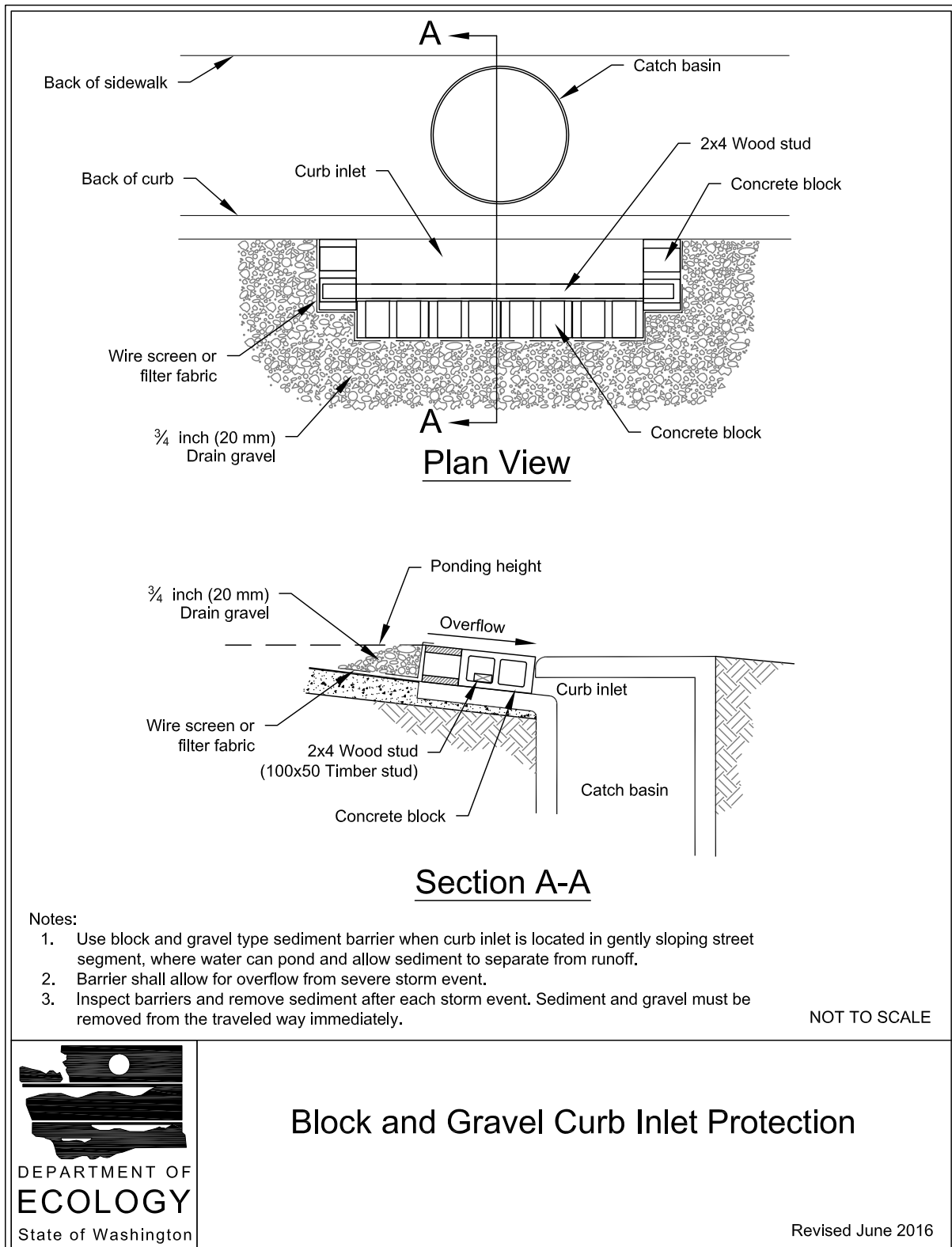
- Use wire mesh with 0.5 inch openings.
- Use extra strength filter cloth.
- Construct a frame.
- Attach the wire and filter fabric to the frame.
- Pile coarse washed aggregate against the wire and fabric.
- Place weight on the frame anchors.

Block and Gravel Curb Inlet Protection

Block and gravel curb inlet protection is a barrier formed around a curb inlet with concrete blocks and gravel. See [Figure II-4.18: Block and Gravel Curb Inlet Protection](#). Design and installation specifications for block and gravel curb inlet protection include:

- Use wire mesh with 0.5 inch openings.
- Place two concrete blocks on their sides abutting the curb at either side of the inlet opening. These are spacer blocks.
- Place a 2x4 stud through the outer holes of each spacer block to align the front blocks.
- Place blocks on their sides across the front of the inlet and abutting the spacer blocks.
- Place wire mesh over the outside vertical face.
- Pile coarse aggregate against the wire to the top of the barrier.

Figure II-4.18: Block and Gravel Curb Inlet Protection

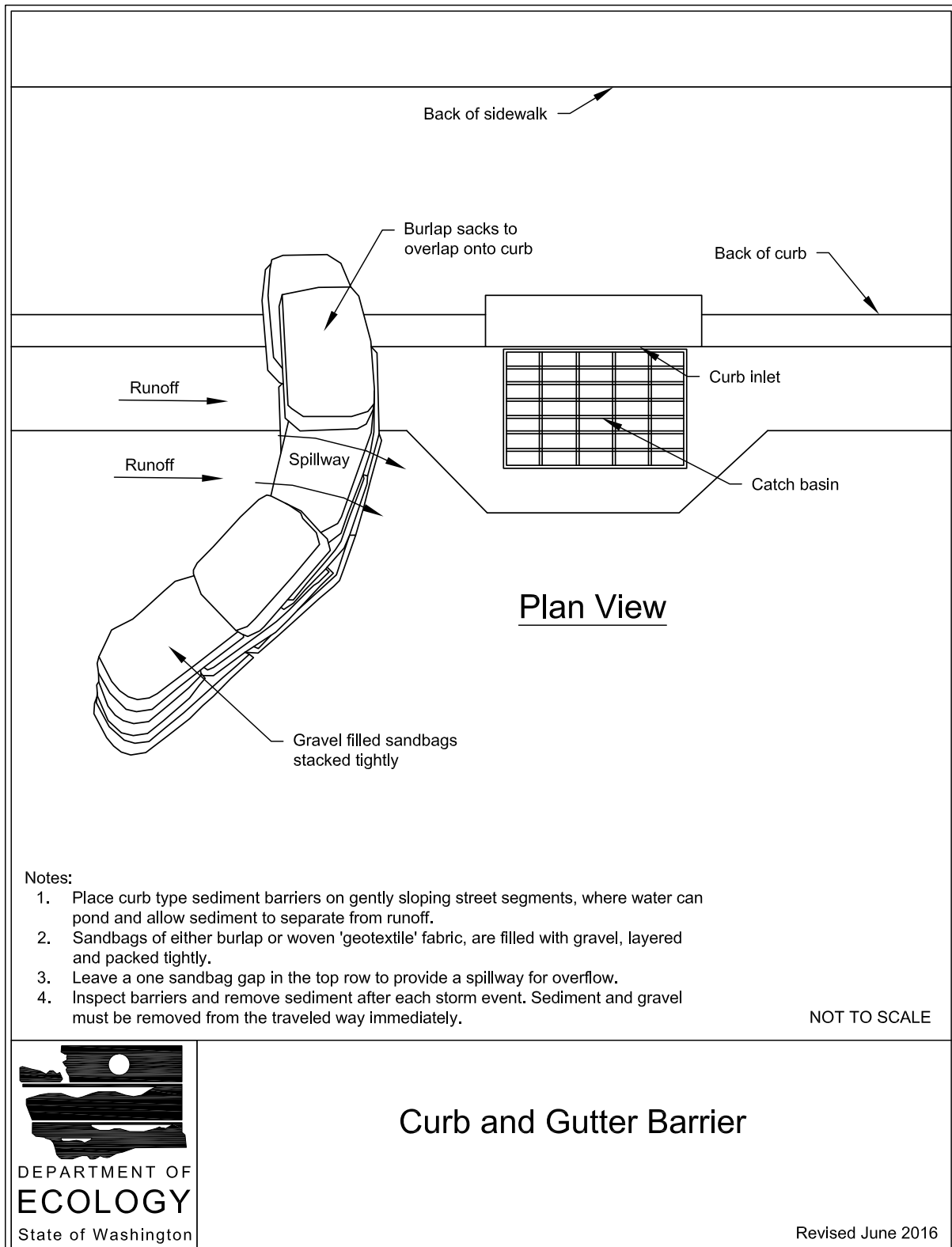


Curb and Gutter Sediment Barrier

A curb and gutter sediment barrier is a sandbag or rock berm (riprap and aggregate) 3 feet high and 3 feet wide in a horseshoe shape. See [Figure II-4.19: Curb and Gutter Barrier](#). Design and installation specifications for curb and gutter sediment barriers include:

- Construct a horseshoe shaped berm, faced with coarse aggregate if using riprap, 3 feet high and 3 feet wide, at least 2 feet from the inlet.
- Construct a horseshoe shaped sedimentation trap on the upstream side of the berm. Size the trap to sediment trap standards for protecting a culvert inlet.

Figure II-4.19: Curb and Gutter Barrier



Maintenance Standards

- Inspect all forms of inlet protection frequently, especially after storm events. Clean and replace clogged catch basin filters. For rock and gravel filters, pull away the rocks from the inlet and clean or replace. An alternative approach would be to use the clogged rock as fill and put fresh rock around the inlet.
- Do not wash sediment into storm drains while cleaning. Spread all excavated material evenly over the surrounding land area or stockpile and stabilize as appropriate.

Approved as Functionally Equivalent

Ecology has approved products as able to meet the requirements of this BMP. The products did not pass through the Technology Assessment Protocol – Ecology (TAPE) process. Local jurisdictions may choose not to accept these products, or may require additional testing prior to consideration for local use. Products that Ecology has approved as functionally equivalent are available for review on Ecology’s website at:

<https://ecology.wa.gov/Regulations-Permits/Guidance-technical-assistance/Stormwater-permittee-guidance-resources/Emerging-stormwater-treatment-technologies>

BMP C231: Brush Barrier

Purpose

The purpose of brush barriers is to reduce the transport of coarse sediment from a construction site by providing a temporary physical barrier to sediment and reducing the runoff velocities of overland flow.

Conditions of Use

- Brush barriers may be used downslope of disturbed areas that are less than one-quarter acre.
- Brush barriers are not intended to treat concentrated flows, nor are they intended to treat substantial amounts of overland flow. Any concentrated flows must be directed to a sediment trapping BMP. The only circumstance in which overland flow can be treated solely by a brush barrier, rather than by a sediment trapping BMP, is when the area draining to the barrier is small.
- Brush barriers should only be installed on contours.

Design and Installation Specifications

- Height: 2 feet (minimum) to 5 feet (maximum).
- Width: 5 feet at base (minimum) to 15 feet (maximum).

Maintenance Standards

- Repair any damage immediately.
- Intercept and convey all evident concentrated flows uphill of the silt fence to a sediment trapping BMP.
- Check the uphill side of the silt fence for signs of the fence clogging and acting as a barrier to flow and then causing channelization of flows parallel to the fence. If this occurs, replace the fence and remove the trapped sediment.
- Remove sediment deposits when the deposit reaches approximately one-third the height of the silt fence, or install a second silt fence.
- Replace geotextile fabric that has deteriorated due to ultraviolet breakdown.

BMP C234: Vegetated Strip

Purpose

Vegetated strips reduce the transport of coarse sediment from a construction site by providing a physical barrier to sediment and reducing the runoff velocities of overland flow.

Conditions of Use

- Vegetated strips may be used downslope of all disturbed areas.
- Vegetated strips are not intended to treat concentrated flows, nor are they intended to treat substantial amounts of overland flow. Any concentrated flows must be conveyed through the drainage system to [BMP C241: Sediment Pond \(Temporary\)](#) or other sediment trapping BMP. The only circumstance in which overland flow can be treated solely by a vegetated strip, rather than by a sediment trapping BMP, is when the following criteria are met (see [Table II-4.13: Contributing Drainage Area for Vegetated Strips](#)):

Table II-4.13: Contributing Drainage Area for Vegetated Strips

Average Contributing Area Slope	Average Contributing Area Percent Slope	Maximum Contributing Area Flowpath Length
1.5H : 1V or flatter	67% or flatter	100 feet
2H : 1V or flatter	50% or flatter	115 feet
4H : 1V or flatter	25% or flatter	150 feet
6H : 1V or flatter	16.7% or flatter	200 feet
10H : 1V or flatter	10% or flatter	250 feet

Design and Installation Specifications

- The vegetated strip shall consist of a continuous strip of dense vegetation with topsoil for a minimum length of 25 feet along the flow path. Grass-covered, landscaped areas are generally not adequate because the volume of sediment overwhelms the grass. Ideally, vegetated strips shall consist of undisturbed native growth with a well-developed soil that allows for infiltration of runoff.
- The slope within the vegetated strip shall not exceed 4H:1V.
- The uphill boundary of the vegetated strip shall be delineated with clearing limits.

Maintenance Standards

- Any areas damaged by erosion or construction activity shall be seeded immediately and protected by mulch.
- If more than 5 feet of the original vegetated strip width has had vegetation removed or is being eroded, sod must be installed.
- If there are indications that concentrated flows are traveling across the vegetated strip, stormwater runoff controls must be installed to reduce the flows entering the vegetated strip, or additional perimeter protection must be installed.

BMP C235: Wattles

Purpose

Wattles are temporary erosion and sediment control barriers consisting of straw, compost, or other material that is wrapped in netting made of natural plant fiber or similar encasing material. They reduce the velocity and can spread the flow of rill and sheet runoff, and can capture and retain sediment.

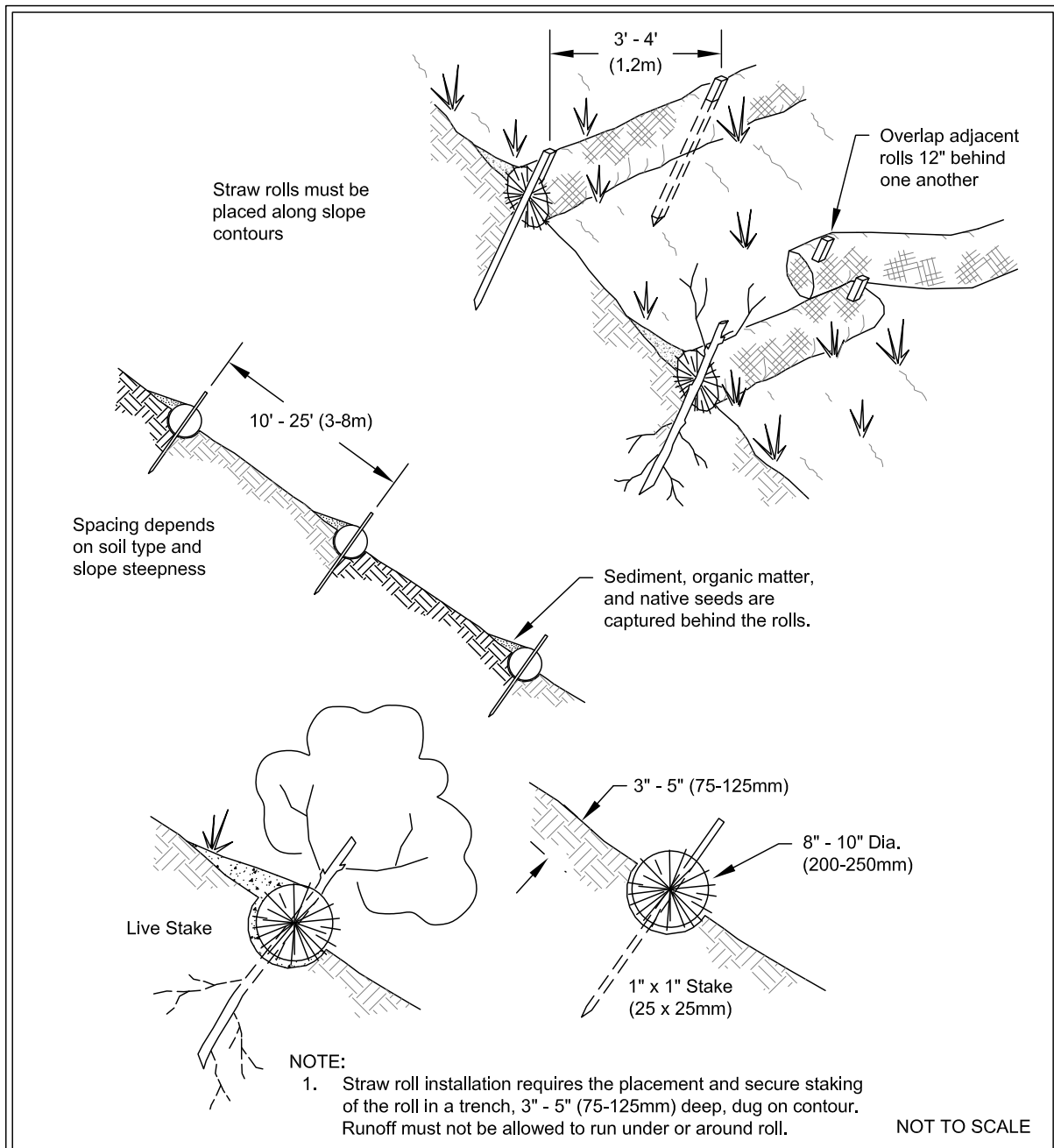
Conditions of Use

- Use wattles:
 - In disturbed areas that require immediate erosion protection.
 - On exposed soils during the period of short construction delays, or over winter months.
 - On slopes requiring stabilization until permanent vegetation can be established.
- The material used dictates the effectiveness period of the wattle. Generally, wattles are effective for one to two seasons.
- Prevent rilling beneath wattles by entrenching and overlapping wattles to prevent water from passing between them.

Design Criteria

- Wattles shall consist of cylinders of plant material such as weed-free straw, coir, wood chips, excelsior, or wood fiber or shavings encased within netting made of natural plant fibers unaltered by synthetic materials.
- See [Figure II-4.24: Wattles](#) for typical construction details.
- Wattles are typically 8 to 10 inches in diameter and 25 to 30 feet in length.
- Install wattles perpendicular to the flow direction and parallel to the slope contour.
- Place wattles in shallow trenches, staked along the contour of disturbed or newly constructed slopes. Dig narrow trenches across the slope (on contour) to a depth of 3 to 5 inches on clay soils and soils with gradual slopes. On loose soils, steep slopes, and areas with high rainfall, the trenches should be dug to a depth of 5 to 7 inches, or 1/2 to 2/3 of the thickness of the wattle.
- Start building trenches and installing wattles from the base of the slope and work up. Spread excavated material evenly along the uphill slope and compact it using hand tamping or other methods.
- Construct trenches at intervals of 10 to 25 feet depending on the steepness of the slope, soil type, and rainfall. The steeper the slope the closer together the trenches.
- Install the wattles snugly into the trenches and overlap the ends of adjacent wattles 12 inches behind one another.
- Install stakes at each end of the wattle, and at 4 foot centers along entire length of wattle.
- If required, install pilot holes for the stakes using a straight bar to drive holes through the wattle and into the soil.
- Wooden stakes should be approximately 0.75 x 0.75 x 24 inches minimum. Willow cuttings or 3/8 inch rebar can also be used for stakes.
- Stakes should be driven through the middle of the wattle, leaving 2 to 3 inches of the stake protruding above the wattle.

Figure II-4.24: Wattles



Wattles

Revised December 2016

Maintenance Standards

- Wattles may require maintenance to ensure they are in contact with soil and thoroughly entrenched, especially after significant rainfall on steep sandy soils.
- Inspect the slope after significant storms and repair any areas where wattles are not tightly abutted or water has scoured beneath the wattles.

Approved as Functionally Equivalent

Ecology has approved products as able to meet the requirements of this BMP. The products did not pass through the Technology Assessment Protocol – Ecology (TAPE) process. Local jurisdictions may choose not to accept these products, or may require additional testing prior to consideration for local use. Products that Ecology has approved as functionally equivalent are available for review on Ecology’s website at:

<https://ecology.wa.gov/Regulations-Permits/Guidance-technical-assistance/Stormwater-permittee-guidance-resources/Emerging-stormwater-treatment-technologies>

BMP C236: Vegetative Filtration

Purpose

Vegetative filtration as a BMP is used in conjunction with detention storage in the form of portable tanks or [BMP C241: Sediment Pond \(Temporary\)](#), [BMP C206: Level Spreader](#), and a pumping system with surface intake. Vegetative filtration improves turbidity levels of stormwater discharges by filtering runoff through existing vegetation where undisturbed forest floor duff layer or established lawn with thatch layer are present. Vegetative filtration can also be used to infiltrate dewatering waste from foundations, vaults, and trenches as long as runoff does not occur.

Conditions of Use

- For every 5 acres of disturbed soil, use 1 acre of grass field, farm pasture, or wooded area. Reduce or increase this area depending on project size, groundwater table height, and other site conditions.
- Wetlands shall not be used for vegetative filtration.
- Do not use this BMP in areas with a high groundwater table, or in areas that will have a high seasonal groundwater table during the use of this BMP.
- This BMP may be less effective on soils that prevent the infiltration of the water, such as hard till.
- Using other effective source control measures throughout a construction site will prevent the generation of additional highly turbid water and may reduce the time period or area need for this BMP.
- Stop distributing water into the vegetated filtration area if standing water or erosion results.

treatment system flow rate for an 8-hour period. For a chitosan-enhanced sand filtration system, the filtration treatment system flow rate should be sized using a hydraulic loading rate between 6 and 8 gpm/ft². Other hydraulic loading rates may be more appropriate for other systems. Bypass should be provided around the filtration treatment system to accommodate extreme storm events. Runoff volume shall be calculated using the methods presented in [III-2.3 Single Event Hydro-graph Method](#). Worst-case land cover conditions (i.e., producing the most runoff) should be used for analyses (in most cases, this would be the land cover conditions just prior to final landscaping).

If the filtration treatment system design does not allow you to discharge at the rates as required by [II-2.3 Element 3: Control Flow Rates](#), and if the site has a permanent Flow Control BMP that will serve the planned development, the discharge from the filtration treatment system may be directed to the permanent Flow Control BMP to comply with [II-2.3 Element 3: Control Flow Rates](#). In this case, all discharge (including water passing through the treatment system and stormwater bypassing the treatment system) will be directed into the permanent Flow Control BMP. If site constraints make locating the untreated stormwater storage pond difficult, the permanent Flow Control BMP may be divided to serve as the untreated stormwater storage pond and the post-treatment temporary flow control pond. A berm or barrier must be used in this case so the untreated water does not mix with the treated water. Both untreated stormwater storage requirements, and adequate post-treatment flow control must be achieved. The designer must document in the Construction SWPPP how the permanent Flow Control BMP is able to attenuate the discharge from the site to meet the requirements of [II-2.3 Element 3: Control Flow Rates](#). If the design of the permanent Flow Control BMP was modified for temporary construction flow control purposes, the construction of the permanent Flow Control BMP must be finalized, as designed for its permanent function, at project completion.

Maintenance Standards

- Rapid sand filters typically have automatic backwash systems that are triggered by a pre-set pressure drop across the filter. If the backwash water volume is not large or substantially more turbid than the untreated stormwater stored in the holding pond or tank, backwash return to the untreated stormwater pond or tank may be appropriate. However, other means of treatment and disposal may be necessary.
- Screen, bag, and fiber filters must be cleaned and/or replaced when they become clogged.
- Sediment shall be removed from the storage and/or treatment ponds as necessary. Typically, sediment removal is required once or twice during a wet season and at the decommissioning of the ponds.
- Disposal of filtration equipment must comply with applicable local, state, and federal regulations.

BMP C252: Treating and Disposing of High pH Water

Purpose

When pH levels in stormwater rise above 8.5, it is necessary to lower the pH levels to the acceptable range of 6.5 to 8.5 prior to discharge to surface or groundwater. A pH level range of 6.5 to 8.5

is typical for most natural watercourses, and this neutral pH range is required for the survival of aquatic organisms. Should the pH rise or drop out of this range, fish and other aquatic organisms may become stressed and may die.

Conditions of Use

- The water quality standard for pH in Washington State is in the range of 6.5 to 8.5. Stormwater with pH levels exceeding water quality standards may be either neutralized on site or disposed of to a sanitary sewer or concrete batch plant with pH neutralization capabilities.
- Neutralized stormwater may be discharged to surface waters under the Construction Stormwater General Permit.
- Passive percolation of a limited volume of pH-affected stormwater is acceptable, with the understanding it does not “pond” or result in runoff from the project boundary or to waters of the state. Any visible accumulations of such water must be considered pH-affected and managed to protect waters of the state.

NOTE: this only applies to high pH stormwater or conditionally authorized non-stormwater, it does not apply to process water, which may be subject to numeric effluent limits under certain permits, or otherwise not authorized for discharge to waters of the state.

- Neutralized process water such as concrete truck washout, hydrodemolition, or sawcutting slurry must be managed to prevent discharge to surface waters. Any stormwater contaminated during concrete work is considered process wastewater and must not be discharged to waters of the State or stormwater collection systems.
- The process used for neutralizing and/or disposing of high pH stormwater from the site must be documented in the Construction SWPPP.
- There are other options for neutralizing or managing high pH stormwater beyond what Ecology provides formal guidance on. Regardless of the stormwater management methods selected, the resulting pH-affected stormwater must be managed in a way that meets permit conditions for discharge.

NOTE: If the proposed option to neutralize high-pH stormwater involves a chemical treatment beyond what is described in this BMP, additional authorization for the chemical treatment may be necessary.

Causes of High pH

High pH at construction sites is most commonly caused by the contact of stormwater with poured or recycled concrete, cement, mortars, and other Portland cement or lime containing construction materials. See [BMP C151: Concrete Handling](#) for more information on concrete handling procedures. The principal caustic agent in cement is calcium hydroxide (free lime).

Calcium hardness can contribute to high pH values and cause toxicity that is associated with high pH conditions. A high level of calcium hardness in waters of the state is not allowed. Groundwater standard for calcium and other dissolved solids in Washington State is less than 500 mg/l.

Treating High pH Stormwater by Carbon Dioxide Sparging

Advantages of Carbon Dioxide Sparging

- Rapidly neutralizes high pH water.
- Cost effective and safer to handle than acid compounds.
- CO₂ is self-buffering. It is difficult to overdose and create harmfully low pH levels.
- Material is readily available.

The Chemical Process of Carbon Dioxide Sparging

When carbon dioxide (CO₂) is added to water (H₂O), carbonic acid (H₂CO₃) is formed which can further dissociate into a proton (H⁺) and a bicarbonate anion (HCO₃⁻) as shown below:



The free proton is a weak acid that can lower the pH. Water temperature has an effect on the reaction as well. The colder the water temperature is, the slower the reaction occurs. The warmer the water temperature is, the quicker the reaction occurs. Most construction applications in Washington State have water temperatures in the 50°F or higher range so the reaction is almost simultaneous.

The Treatment Process of Carbon Dioxide Sparging

High pH water may be treated using continuous treatment, continuous discharge systems. These manufactured systems continuously monitor influent and effluent pH to ensure that pH values are within an acceptable range before being discharged. All systems must have fail safe automatic shut off switches in the event that pH is not within the acceptable discharge range. Only trained operators may operate manufactured systems. System manufacturers often provide trained operators or training on their devices.

The following procedure may be used when not using a continuous discharge system:

1. Prior to treatment, the appropriate jurisdiction should be notified in accordance with the regulations set by the jurisdiction.
2. Every effort should be made to isolate the potential high pH water in order to treat it separately from other stormwater on-site.
3. Water should be stored in an acceptable storage facility, detention pond, or containment cell prior to pH treatment.
4. Transfer water to be treated for pH to the pH treatment structure. Ensure that the pH treatment structure size is sufficient to hold the amount of water that is to be treated. Do not fill the pH treatment structure completely, allow at least 2 feet of freeboard.
5. The operator samples the water within the pH treatment structure for pH and notes the clarity of the water. As a rule of thumb, less CO₂ is necessary for clearer water. The results of

the samples and water clarity observations should be recorded.

6. In the pH treatment structure, add CO₂ until the pH falls into the range of 6.9 to 7.1. Adjusting pH to within 0.2 pH units of receiving water (background pH) is recommended. It is unlikely that pH can be adjusted to within 0.2 pH units using dry ice. Compressed carbon dioxide gas should be introduced to the water using a carbon dioxide diffuser located near the bottom of the pH treatment structure, this will allow carbon dioxide to bubble up through the water and diffuse more evenly.
7. Slowly discharge the water, making sure water does not get stirred up in the process. Release about 80% of the water from the pH treatment structure leaving any sludge behind. If turbidity remains above the maximum allowable, consider adding filtration to the treatment train. See [BMP C251: Construction Stormwater Filtration](#).
8. Discharge treated water through a pond or drainage system.
9. Excess sludge needs to be disposed of properly as concrete waste. If several batches of water are undergoing pH treatment, sludge can be left in the treatment structure for the next batch treatment. Dispose of sludge when it fills 50% of the treatment structure volume.
10. Disposal must comply with applicable local, state, and federal regulations.

Treating High pH Stormwater by Food Grade Vinegar

Food grade vinegar that meets FDA standards may be used to neutralize high pH water. Food grade vinegar is only 4% to 18% acetic acid with the remainder being water. Food grade vinegar may be used if dosed just enough to lower pH sufficiently. Use a treatment process as described above for CO₂ sparging, but add food grade vinegar instead of CO₂.

This treatment option for high pH stormwater does not apply to anything but food grade vinegar. Acetic acid does not equal vinegar. Any other product or waste containing acetic acid must go through the evaluation process in Appendix G of *Whole Effluent Toxicity Testing Guidance and Test Review Criteria* ([Marshall, 2016](#)).

Disposal of High pH Stormwater

Sanitary Sewer Disposal

Local sewer authority approval is required prior to disposal via the sanitary sewer.

Concrete Batch Plant Disposal

- Only permitted facilities may accept high pH water.
- Contact the facility to ensure they can accept the high pH water.

Maintenance Standards

Safety and materials handling:

- All equipment should be handled in accordance with OSHA rules and regulations.
- Follow manufacturer guidelines for materials handling.

Each operator should provide:

- A diagram of the monitoring and treatment equipment.
- A description of the pumping rates and capacity the treatment equipment is capable of treating.

Each operator should keep a written record of the following:

- Client name and phone number.
- Date of treatment.
- Weather conditions.
- Project name and location.
- Volume of water treated.
- pH of untreated water.
- Amount of CO₂ or food grade vinegar needed to adjust water to a pH range of 6.9 to 7.1.
- pH of treated water.
- Discharge point location and description.

A copy of this record should be given to the client/contractor who should retain the record for 3 years.

APPENDIX C – CORRESPONDANCE

APPENDIX D – SITE INSPECTION FORM

Construction Stormwater Site Inspection Form

Project Name _____ **Permit #** _____ **Inspection Date** _____ **Time** _____

Name of Certified Erosion Sediment Control Lead (CESCL) or qualified inspector if *less than one acre*
 Print Name: _____

Approximate rainfall amount since the last inspection (in inches): _____

Approximate rainfall amount in the last 24 hours (in inches): _____

Current Weather Clear Cloudy Mist Rain Wind Fog

A. Type of inspection: Weekly Post Storm Event Other

B. Phase of Active Construction (check all that apply):

Pre Construction/installation of erosion/sediment controls	<input type="checkbox"/>	Clearing/Demo/Grading	<input type="checkbox"/>
Concrete pours	<input type="checkbox"/>	Vertical Construction/buildings	<input type="checkbox"/>
Offsite improvements	<input type="checkbox"/>	Site temporary stabilized	<input type="checkbox"/>
		Infrastructure/storm/roads	<input type="checkbox"/>
		Utilities	<input type="checkbox"/>
		Final stabilization	<input type="checkbox"/>

C. Questions:

- | | | | | |
|--|-----|----|-------|-------|
| 1. Were all areas of construction and discharge points inspected? | Yes | No | _____ | _____ |
| 2. Did you observe the presence of suspended sediment, turbidity, discoloration, or oil sheen | Yes | No | _____ | _____ |
| 3. Was a water quality sample taken during inspection? (<i>refer to permit conditions S4 & S5</i>) | Yes | No | _____ | _____ |
| 4. Was there a turbid discharge 250 NTU or greater, or Transparency 6 cm or less?* | Yes | No | _____ | _____ |
| 5. If yes to #4 was it reported to Ecology? | Yes | No | _____ | _____ |
| 6. Is pH sampling required? pH range required is 6.5 to 8.5. | Yes | No | _____ | _____ |

If answering yes to a discharge, describe the event. Include when, where, and why it happened; what action was taken, and when.

*If answering yes to # 4 record NTU/Transparency with continual sampling daily until turbidity is 25 NTU or less/ transparency is 33 cm or greater.

Sampling Results: _____ Date: _____

Parameter	Method (circle one)	Result			Other/Note
		NTU	cm	pH	
Turbidity	tube, meter, laboratory				
pH	Paper, kit, meter				

Construction Stormwater Site Inspection Form

D. Check the observed status of all items. Provide "Action Required" details and dates.

Element #	Inspection	BMPs Inspected			BMP needs maintenance	BMP failed	Action required (describe in section F)
		yes	no	n/a			
1 Clearing Limits	Before beginning land disturbing activities are all clearing limits, natural resource areas (streams, wetlands, buffers, trees) protected with barriers or similar BMPs? (high visibility recommended)						
2 Construction Access	Construction access is stabilized with quarry spalls or equivalent BMP to prevent sediment from being tracked onto roads?						
	Sediment tracked onto the road way was cleaned thoroughly at the end of the day or more frequent as necessary.						
3 Control Flow Rates	Are flow control measures installed to control stormwater volumes and velocity during construction and do they protect downstream properties and waterways from erosion?						
	If permanent infiltration ponds are used for flow control during construction, are they protected from siltation?						
4 Sediment Controls	All perimeter sediment controls (e.g. silt fence, wattles, compost socks, berms, etc.) installed, and maintained in accordance with the Stormwater Pollution Prevention Plan (SWPPP).						
	Sediment control BMPs (sediment ponds, traps, filters etc.) have been constructed and functional as the first step of grading.						
	Stormwater runoff from disturbed areas is directed to sediment removal BMP.						
5 Stabilize Soils	Have exposed un-worked soils been stabilized with effective BMP to prevent erosion and sediment deposition?						

Construction Stormwater Site Inspection Form

Element #	Inspection	BMPs Inspected			BMP needs maintenance	BMP failed	Action required (describe in section F)
		yes	no	n/a			
5 Stabilize Soils Cont.	Are stockpiles stabilized from erosion, protected with sediment trapping measures and located away from drain inlet, waterways, and drainage channels?						
	Have soils been stabilized at the end of the shift, before a holiday or weekend if needed based on the weather forecast?						
6 Protect Slopes	Has stormwater and ground water been diverted away from slopes and disturbed areas with interceptor dikes, pipes and or swales?						
	Is off-site storm water managed separately from stormwater generated on the site?						
	Is excavated material placed on uphill side of trenches consistent with safety and space considerations?						
	Have check dams been placed at regular intervals within constructed channels that are cut down a slope?						
7 Drain Inlets	Storm drain inlets made operable during construction are protected.						
	Are existing storm drains within the influence of the project protected?						
8 Stabilize Channel and Outlets	Have all on-site conveyance channels been designed, constructed and stabilized to prevent erosion from expected peak flows?						
	Is stabilization, including armoring material, adequate to prevent erosion of outlets, adjacent stream banks, slopes and downstream conveyance systems?						
9 Control Pollutants	Are waste materials and demolition debris handled and disposed of to prevent contamination of stormwater?						
	Has cover been provided for all chemicals, liquid products, petroleum products, and other material?						
	Has secondary containment been provided capable of containing 110% of the volume?						
	Were contaminated surfaces cleaned immediately after a spill incident?						
	Were BMPs used to prevent contamination of stormwater by a pH modifying sources?						

Construction Stormwater Site Inspection Form

Element #	Inspection	BMPs Inspected			BMP needs maintenance	BMP failed	Action required (describe in section F)
		yes	no	n/a			
9 Cont.	Wheel wash wastewater is handled and disposed of properly.						
10 Control Dewatering	Concrete washout in designated areas. No washout or excess concrete on the ground.						
	Dewatering has been done to an approved source and in compliance with the SWPPP.						
	Were there any clean non turbid dewatering discharges?						
11 Maintain BMP	Are all temporary and permanent erosion and sediment control BMPs maintained to perform as intended?						
12 Manage the Project	Has the project been phased to the maximum degree practicable?						
	Has regular inspection, monitoring and maintenance been performed as required by the permit?						
	Has the SWPPP been updated, implemented and records maintained?						
13 Protect LID	Is all Bioretention and Rain Garden Facilities protected from sedimentation with appropriate BMPs?						
	Is the Bioretention and Rain Garden protected against over compaction of construction equipment and foot traffic to retain its infiltration capabilities?						
	Permeable pavements are clean and free of sediment and sediment laden-water runoff. Muddy construction equipment has not been on the base material or pavement.						
	Have soiled permeable pavements been cleaned of sediments and pass infiltration test as required by stormwater manual methodology?						
	Heavy equipment has been kept off existing soils under LID facilities to retain infiltration rate.						

E. Check all areas that have been inspected. ✓

All in place BMPs All disturbed soils All concrete wash out area All material storage areas
 All discharge locations All equipment storage areas All construction entrances/exits

Construction Stormwater Site Inspection Form

F. Elements checked "Action Required" (section D) describe corrective action to be taken. List the element number; be specific on location and work needed. Document, initial, and date when the corrective action has been completed and inspected.

Element #	Description and Location	Action Required	Completion Date	Initials

Attach additional page if needed

Sign the following certification:

"I certify that this report is true, accurate, and complete, to the best of my knowledge and belief"

Inspected by: (print) _____ (Signature) _____ Date: _____

Title/Qualification of Inspector: _____

APPENDIX E – CONSTRUCTION STORMWATER GENERAL PERMIT (CSWGP)

Issuance Date: Draft
Effective Date: Draft
Expiration Date: Draft

CONSTRUCTION STORMWATER GENERAL PERMIT

National Pollutant Discharge Elimination System and
State Waste Discharge General Permit

State of Washington
Department of Ecology
Olympia, Washington 98504

In compliance with the provisions of
Chapter 90.48 Revised Code of Washington
(State of Washington Water Pollution Control Act)

and

Title 33 United States Code, Section 1251 et seq.
The Federal Water Pollution Control Act (The Clean Water Act)

Until this Permit expires, is modified, or is revoked, Permittees that have properly obtained coverage under this Permit are authorized to discharge in accordance with the special and general conditions that follow.

Vincent McGowan, P.E.
Water Quality Program Manager
Washington State Department of Ecology

This page intentionally left blank.

ADA STATEMENT

The Department of Ecology is committed to providing people with disabilities access to information and services by meeting or exceeding the requirements of the Americans with Disabilities Act (ADA), Section 504 and 508 of the Rehabilitation Act, and Washington State Policy #188.

To request ADA Accommodation, contact Water Quality Reception at 360-407-6600. For Washington Relay Service or TTY call 711 or 877-833-6341. Visit [Ecology's ADA Accessibility web page](#)¹ for more information.

For document translation services, call Water Quality Reception at 360-407-6600.

Para publicaciones en español, por favor llame a la Recepción de Calidad del Agua al 360-407-6600.

¹ <https://ecology.wa.gov/About-us/Accessibility-equity/Accessibility>

TABLE OF CONTENTS

SUMMARY OF PERMIT REPORT SUBMITTALS	1
SPECIAL CONDITIONS	3
S1. PERMIT COVERAGE	3
A. Permit Area	3
B. Operators Required to Seek Coverage Under this General Permit.....	3
C. Authorized Discharges.....	4
D. Prohibited Discharges.....	5
E. Limits on Coverage	5
F. Erosivity Waiver.....	6
S2. APPLICATION REQUIREMENTS	8
A. Permit Application Forms	8
B. Public Notice	9
S3. COMPLIANCE WITH STANDARDS.....	11
S4. MONITORING REQUIREMENTS, BENCHMARKS, AND REPORTING TRIGGERS.....	12
A. Site Log Book.....	12
B. Site Inspections	12
C. Turbidity/Transparency Sampling Requirements	14
D. pH Sampling Requirements – Significant Concrete Work or Engineered Soils	18
S5. REPORTING AND RECORDKEEPING REQUIREMENTS.....	20
A. High Turbidity Reporting	20
B. Discharge Monitoring Reports (DMRs).....	20
C. Records Retention	21
D. Recording Results.....	21
E. Additional Monitoring by the Permittee	21
F. Noncompliance Notification.....	21
G. Access to Plans and Records.....	22
S6. PERMIT FEES.....	23
S7. SOLID AND LIQUID WASTE DISPOSAL	23
S8. DISCHARGES TO 303(d) OR TMDL WATERBODIES	24

A.	Sampling and Numeric Effluent Limits for Certain Discharges to 303(d)-Listed Water Bodies	24
B.	Limits on Coverage for New Discharges to TMDL or 303(d)-Listed Waters	24
C.	Sampling and Numeric Effluent Limits for Discharges to Water Bodies on the 303(d) List for Turbidity, Fine Sediment, or Phosphorus	25
D.	Discharges to Water Bodies on the 303(d) List for High pH.....	26
E.	Sampling and Limits for Sites Discharging to Waters Covered by a TMDL or another Pollution Control Plan	27
S9.	STORMWATER POLLUTION PREVENTION PLAN	29
A.	The Permittee’s SWPPP must meet the following objectives:.....	29
B.	General Requirements	29
C.	Stormwater Best Management Practices (BMPs).....	30
D.	SWPPP – Narrative Contents and Requirements.....	30
E.	SWPPP – Map Contents and Requirements	38
S10.	NOTICE OF TERMINATION (NOT).....	39
A.	Conditions for an NOT	39
B.	Process for Terminating	39
	GENERAL CONDITIONS	41
G1.	DISCHARGE VIOLATIONS	41
G2.	SIGNATORY REQUIREMENTS	41
G3.	RIGHT OF INSPECTION AND ENTRY	42
G4.	GENERAL PERMIT MODIFICATION AND REVOCATION.....	42
G5.	REVOCATION OF COVERAGE UNDER THE PERMIT.....	43
G6.	REPORTING A CAUSE FOR MODIFICATION	43
G7.	COMPLIANCE WITH OTHER LAWS AND STATUTES	43
G8.	DUTY TO REAPPLY	44
G9.	REMOVED SUBSTANCE	44
G10.	DUTY TO PROVIDE INFORMATION	44
G11.	OTHER REQUIREMENTS OF 40 CFR.....	44
G12.	ADDITIONAL MONITORING	44
G13.	PENALTIES FOR VIOLATING PERMIT CONDITIONS.....	44
G14.	UPSET	45
G15.	PROPERTY RIGHTS	45

G16.	DUTY TO COMPLY.....	45
G17.	TOXIC POLLUTANTS.....	45
G18.	PENALTIES FOR TAMPERING	46
G19.	REPORTING PLANNED CHANGES.....	46
G20.	REPORTING OTHER INFORMATION	46
G21.	REPORTING ANTICIPATED NON-COMPLIANCE	46
G22.	REQUESTS TO BE EXCLUDED FROM COVERAGE UNDER THE PERMIT	47
G23.	APPEALS	47
G24.	SEVERABILITY	47
G25.	BYPASS PROHIBITED.....	48
A.	Bypass Procedures	48
B.	Duty to Mitigate	49
APPENDIX A – DEFINITIONS.....		50
APPENDIX B – ACRONYMS.....		59

SUMMARY OF PERMIT REPORT SUBMITTALS

Refer to the Special and General Conditions within this permit for additional submittal requirements. Appendix A provides a list of definitions. Appendix B provides a list of acronyms.

Table 1: Summary of Required Submittals

Permit Section	Submittal	Frequency	First Submittal Date
S5.A and S8	High Turbidity/Transparency Phone Reporting	As Necessary	Within 24 hours
S5.B	Discharge Monitoring Report	Monthly*	Within 15 days following the end of each month
S5.F and S8	Noncompliance Notification – Telephone Notification	As necessary	Within 24 hours
S5.F	Noncompliance Notification – Written Report	As necessary	Within 5 Days of non-compliance
S9.D	Request for Chemical Treatment Form	As necessary	Written authorization from Ecology is required prior to using chemical treatment (with the exception of dry ice, CO ₂ or food grade vinegar to adjust pH)
G2	Notice of Change in Authorization	As necessary	
G6	Permit Application for Substantive Changes to the Discharge	As necessary	
G8	Application for Permit Renewal	1/permit cycle	No later than 180 days before expiration
S2.A	Notice of Permit Transfer	As necessary	
G19	Notice of Planned Changes	As necessary	

Permit Section	Submittal	Frequency	First Submittal Date
G21	Reporting Anticipated Non-compliance	As necessary	

NOTE: *Permittees must submit electronic Discharge Monitoring Reports (DMRs) to the Washington State Department of Ecology monthly, regardless of site discharge, for the full duration of permit coverage. Refer to Condition S5.B of this General Permit for more specific information regarding DMRs.

Table 2: Summary of Required On-site Documentation

Document Title	Permit Conditions
Permit Coverage Letter	See Conditions S2, S5
Construction Stormwater General Permit (CSWGP)	See Conditions S2, S5
Site Log Book	See Conditions S4, S5
Stormwater Pollution Prevention Plan (SWPPP)	See Conditions S5, S9
Site Map	See Conditions S5, S9

SPECIAL CONDITIONS

S1. PERMIT COVERAGE

A. Permit Area

This Construction Stormwater General Permit (CSWGP) covers all areas of Washington State, except for federal operators and Indian Country as specified in Special Condition S1.E.3 and 4.

B. Operators Required to Seek Coverage Under this General Permit

1. Operators of the following construction activities are required to seek coverage under this CSWGP:
 - a. Clearing, grading, excavation, construction support activity and other soil disturbing activity (S1.B.1.a.ii.) that results in the disturbance of one or more acres (including off-site disturbance acreage related to construction-support activity as authorized in S1.C.2) and discharges stormwater to surface waters of the State; and clearing, grading and/or excavation on sites smaller than one acre that are part of a larger common plan of development or sale, if the common plan of development or sale will ultimately disturb one acre or more and discharge stormwater to surface waters of the State.
 - b. For the purposes of determining which sites require permit coverage under the CSWGP include:
 - i. Forest practices (including, but not limited to, class IV conversions) that are part of a construction activity that will result in the disturbance of one or more acres, and discharge to surface waters of the State (that is, forest practices that prepare a site for construction activities); and
 - c. Construction support activities including equipment staging, borrow pit, material storage areas, dump areas, haul roads, construction roads, side-cast areas, on-site portable rock crusher, staging yards, parking areas, off-site construction support activities and other soil disturbing activities. Any size construction activity discharging stormwater to waters of the State that the Washington State Department of Ecology (Ecology):
 - i. Determines to be a significant contributor of pollutants to waters of the State of Washington.
 - ii. Reasonably expects to cause a violation of any water quality standard.
2. Operators of the following activities are not required to seek coverage under this CSWGP (unless specifically required under Special Condition S1.B.1.b, above):
 - a. Construction activities that discharge all stormwater and non-stormwater to groundwater, sanitary sewer, or combined sewer, and have no point source

discharge to either surface water or a storm sewer system that drains to surface waters of the State.

- b. Construction activities covered under an Erosivity Waiver (Special Condition S1.F).
- c. Routine maintenance that is performed to maintain the original line and grade, hydraulic capacity, or original purpose of a facility.

C. Authorized Discharges

1. Stormwater Associated with Construction Activity. Subject to compliance with the terms and conditions of this permit, Permittees are authorized to discharge stormwater associated with construction activity to surface waters of the State or to a storm sewer system that drains to surface waters of the State. (Note that “surface waters of the State” may exist on a construction site as well as off-site; for example, a creek running through a site.)
2. Stormwater Associated with Construction Support Activity. This permit also authorizes stormwater discharge from support activities related to the permitted construction site provided:
 - a. The support activity relates directly to the permitted construction site that is required to have an NPDES permit; and
 - b. The support activity is not a commercial operation serving multiple unrelated construction projects, and does not operate beyond the completion of the construction activity; and
 - c. Appropriate controls and measures are identified in the Stormwater Pollution Prevention Plan (SWPPP) for the discharges from the support activity areas.
3. Non-Stormwater Discharges. The categories and sources of non-stormwater discharges identified below are authorized conditionally, provided the discharge is consistent with the terms and conditions of this permit:
 - a. Discharges from fire-fighting activities.
 - b. Fire hydrant system flushing.
 - c. Potable water, including uncontaminated water line flushing.
 - d. Hydrostatic test water.
 - e. Uncontaminated air conditioning or compressor condensate.
 - f. Uncontaminated groundwater or spring water.
 - g. Uncontaminated excavation dewatering water (in accordance with S9.D.10).
 - h. Uncontaminated discharges from foundation or footing drains.
 - i. Uncontaminated or potable water used to control dust. Permittees must minimize the amount of dust control water used.

- j. Routine external building wash down that does not use detergents.
- k. Landscape irrigation water.

The SWPPP must adequately address all authorized non-stormwater discharges, except for discharges from fire-fighting activities, and must comply with Special Condition S3. At a minimum, discharges from potable water (including water line flushing), fire hydrant system flushing, and pipeline hydrostatic test water must undergo the following: dechlorination to a concentration of 0.1 parts per million (ppm) or less, and pH adjustment to within 6.5 – 8.5 standard units (su), if necessary.

D. Prohibited Discharges

The following discharges to waters of the State, including groundwater, are prohibited:

1. Concrete wastewater
2. Wastewater from washout and clean-up of stucco, paint, form release oils, curing compounds and other construction materials.
3. Process wastewater as defined by 40 Code of Federal Regulations (CFR) 122.2 (See Appendix A of this permit).
4. Slurry materials and waste from shaft drilling, including process wastewater from shaft drilling for construction of building, road, and bridge foundations unless managed according to Special Condition S9.D.9.j.
5. Fuels, oils, or other pollutants used in vehicle and equipment operation and maintenance.
6. Soaps or solvents used in vehicle and equipment washing.
7. Wheel wash wastewater, unless managed according to Special Condition S9.D.9.
8. Discharges from dewatering activities, including discharges from dewatering of trenches and excavations, unless managed according to Special Condition S9.D.10.

E. Limits on Coverage

Ecology may require any discharger to apply for and obtain coverage under an individual permit or another more specific general permit. Such alternative coverage required when Ecology determines that this CSWGP does not adequately assure water quality protection, or there is a reasonable potential for the project to cause or contribute to a violation of water quality standards.

The following stormwater discharges are not covered by this permit:

1. Post-construction stormwater discharges that originate from the site after completion of construction activities and the site has undergone final stabilization.
2. Non-point source silvicultural activities such as nursery operations, site preparation, reforestation and subsequent cultural treatment, thinning, prescribed burning, pest and fire control, harvesting operations, surface drainage, or road construction and maintenance, from which there is natural runoff as excluded in 40 CFR Subpart 122.

3. Stormwater from any federal operator.
4. Stormwater from facilities located on Indian Country as defined in 18 U.S.C. §1151, except portions of the Puyallup Reservation as noted below.

Indian Country includes:

- a. All land within any Indian Reservation notwithstanding the issuance of any patent, and, including rights-of-way running through the reservation. This includes all federal, tribal, and Indian and non-Indian privately owned land within the reservation.
 - b. All off-reservation Indian allotments, the Indian titles to which have not been extinguished, including rights-of-way running through the same.
 - c. All off-reservation federal trust lands held for Native American Tribes. Puyallup Exception: Following the Puyallup Tribes of Indians Land Settlement Act of 1989, 25 U.S.C. §1773; the permit does apply to land within the Puyallup Reservation except for discharges to surface water on land held in trust by the federal government.
5. Stormwater from any site covered under an existing NPDES individual permit in which stormwater management and/or treatment requirements are included for all stormwater discharges associated with construction activity.
 6. Stormwater from a site where an applicable Total Maximum Daily Load (TMDL) requirement specifically precludes or prohibits discharges from construction activity.

F. Erosivity Waiver

Construction site operators may qualify for an Erosivity Waiver from the CSWGP if the following conditions are met:

1. The site will result in the disturbance of fewer than five (5) acres and the site is not a portion of a common plan of development or sale that will disturb five (5) acres or greater.
2. Calculation of Erosivity “R” Factor and Regional Timeframe:
 - a. The project’s calculated rainfall erosivity factor (“R” Factor) must be less than five (5) during the period of construction activity, (See the [CSWGP homepage](#)² for a link to the EPA’s calculator and step by step instructions on computing the “R” Factor in the EPA Erosivity Waiver Fact Sheet). The period of construction activity starts when the land is first disturbed and ends with final stabilization. In addition:
 - b. The entire period of construction activity must fall within the following timeframes:
 - i. For sites west of the Cascades Crest: June 15 – September 15.

² <https://ecology.wa.gov/regulations-permits/permits-certifications/stormwater-general-permits/construction-stormwater-permit>

- ii. For sites east of the Cascades Crest, excluding the Central Basin:
June 15 – October 15.
 - iii. For sites east of the Cascades Crest, within the Central Basin: no timeframe restrictions apply. The Central Basin is defined as the portions of Eastern Washington with mean annual precipitation of less than 12 inches. For a map of the Central Basin (Average Annual Precipitation Region 2), refer to [Construction Stormwater homepage](#)².
3. Construction site operators seeking the waiver must submit a complete Erosivity Waiver certification form at least one week before disturbing the land via Ecology's Water Quality Permitting Portal or the Erosivity Waiver Certification form found on the CSWGP homepage. Certification must include statements that the operator will:
 - a. Comply with applicable local stormwater requirements; and
 - b. Implement appropriate erosion and sediment control BMPs to prevent violations of water quality standards.
4. This waiver is not available for facilities declared significant contributors of pollutants as defined in Special Condition S1.B.1.b or for any size construction activity that could reasonably expect to cause a violation of any water quality standard as defined in Special Condition S1.B.1.b.ii.
5. This waiver does not apply to construction activities which include non-stormwater discharges listed in Special Condition S1.C.3.
6. If construction activity extends beyond the certified waiver period for any reason, the operator must either:
 - a. Recalculate the rainfall erosivity "R" factor using the original start date and a new projected ending date and, if the "R" factor is still under 5 and the entire project falls within the applicable regional timeframe in Special Condition S1.F.2.b, complete and submit an amended waiver certification form before the original waiver expires; or
 - b. Submit a complete permit application to Ecology in accordance with Special Condition S2.A and B before the end of the certified waiver period.

S2. APPLICATION REQUIREMENTS

A. Permit Application Forms

1. Notice of Intent Form

- a. Operators of new or previously unpermitted construction activities must submit a complete and accurate permit application (Notice of Intent, or NOI) to Ecology.
- b. Operators must apply using the electronic application form (NOI) available on [CSWGP homepage](#)³. Permittees unable to submit electronically (for example, those who do not have an internet connection) must contact Ecology to request a waiver and obtain instructions on how to obtain a paper NOI.

Department of Ecology
Water Quality Program - Construction Stormwater
PO Box 47696
Olympia, Washington 98504-7696

- c. The operator must submit the NOI at least 60 days before discharging stormwater from construction activities and must submit it prior to the date of the first public notice (See Special Condition S2.B, below, for details). The 30-day public comment period begins on the publication date of the second public notice. Unless Ecology responds to the complete application in writing, coverage under the general permit will automatically commence on the 31st day following receipt by Ecology of a completed NOI, or the issuance date of this permit, whichever is later; unless Ecology specifies a later date in writing as required by WAC173-226-200(2). See S8.B for Limits on Coverage for New Discharges to TMDL or 303(d)-Listed Waters.
- d. If an applicant intends to use a Best Management Practice (BMP) selected on the basis of Special Condition S9.C.4 (“demonstrably equivalent” BMPs), the applicant must notify Ecology of its selection as part of the NOI. In the event the applicant selects BMPs after submission of the NOI, the applicant must provide notice of the selection of an equivalent BMP to Ecology at least 60 days before intended use of the equivalent BMP.
- e. Applicants must notify Ecology if they are aware of contaminated soils and/or contaminated groundwater associated with the construction activity. Contamination including sites with known, remediated, or historically contaminated groundwater and or soil Provide detailed information with the NOI (as known and readily available) on the nature and extent of the contamination (concentrations, locations, and depth), as well as pollution prevention and/or treatment BMPs proposed to control the discharge of soil and/or groundwater contaminants in stormwater. Examples of such detail may include, but are not limited to:

³ <https://ecology.wa.gov/regulations-permits/permits-certifications/stormwater-general-permits/construction-stormwater-permit>

- i. List or table of all known contaminants with laboratory test results showing concentration and depth,
- ii. Map with sample locations,
- iii. Related portions of the Stormwater Pollution Prevention Plan (SWPPP) that address the management of contaminated and potentially contaminated construction stormwater and dewatering water and a brief project overview,
- iv. Dewatering plan and/or dewatering contingency plan.

2. Transfer of Coverage Form

The Permittee can transfer current coverage under this permit to one or more new operators, including operators of sites within a Common Plan of Development, provided:

- a. The Permittee submits a complete Transfer of Coverage Form to Ecology, signed by the current and new discharger and containing a specific date for transfer of permit responsibility, coverage and liability (including any Administrative Orders associated with the permit); and
- b. Ecology does not notify the current discharger and new discharger of intent to revoke coverage under the general permit. If this notice is not given, the transfer is effective on the date specified in the written agreement.

When a current discharger (Permittee) transfers a portion of a permitted site, the current discharger must also indicate the remaining permitted acreage after the transfer. Permittees completing partial transfers must include an updated site map. Transfers do not require public notice.

3. Modification of Coverage Form

Permittees must notify Ecology regarding any changes to the information provided on the NOI by submitting an Modification of Permit Coverage form in accordance with General Conditions G6 and G19. Permittees updating their permitted acreage must include an updated site map.

Examples of changes that require a Permittee to submit a modification of Coverage form to Ecology include, but are not limited to:

- a. Changes to the Permittee's mailing address,
- b. Changes to the on-site contact person information, and
- c. Changes to the area/acreage affected by construction activity.

B. Public Notice

For new or previously unpermitted construction activities, the applicant must publish a public notice at least one time each week for two consecutive weeks, at least 7 days apart, in a newspaper with general circulation in the county where the construction is to take place. The notice must be run after the NOI has been submitted and must contain:

1. A statement that “The applicant is seeking coverage under the Washington State Department of Ecology’s Construction Stormwater NPDES and State Waste Discharge General Permit.”
2. The name, address, and location of the construction site.
3. The name and address of the applicant .
4. The type of construction activity that will result in a discharge (for example, residential construction, commercial construction, etc.), and the total number of acres to be disturbed over the lifetime of the project.
5. The name of the receiving water(s) (that is, the surface water(s) to which the site will discharge), or, if the discharge is through a storm sewer system, the name of the operator of the system and the receiving water(s) the system discharges to.
6. The statement: Any persons desiring to present their views on this construction project to the Washington State *Department of Ecology regarding this application, or interested in Ecology’s action on this application, may notify Ecology in writing no later than 30 days of the last date of publication of this notice. Ecology reviews public comments and considers whether discharges from this construction project would cause a measurable change in receiving water quality, and, if so, whether the project is necessary and in the overriding public interest according to Tier II antidegradation requirements under WAC 173-201A-320. Comments can be submitted to: Department of Ecology, PO Box 47696, Olympia, Washington 98504 7696 Attn: Water Quality Program, Construction Stormwater. Questions or concerns regarding post-construction stormwater impacts should be directed to the local jurisdiction.*

S3. COMPLIANCE WITH STANDARDS

A. Prior to the discharge of stormwater and non-stormwater to waters of the State, the Permittee must apply All Known, Available, and Reasonable methods of prevention, control, and Treatment (AKART). This includes the preparation and implementation of an adequate SWPPP, with all appropriate BMPs installed and maintained in accordance with the SWPPP and the terms and conditions of this permit.

B. Ecology presumes that water quality standards are protected in the receiving water when the Permittee complies with the following conditions, unless discharge monitoring data or other site-specific information demonstrates that a discharge causes or contributes to a violation of water quality standards. The Permittee must fully:

1. Comply with all permit conditions, including planning, sampling, monitoring, reporting, and recordkeeping conditions.
2. Implement stormwater BMPs contained in stormwater management manuals published or approved by Ecology, or BMPs that are demonstrably equivalent to BMPs contained in stormwater management manuals published or approved by Ecology, including the proper selection, implementation, and maintenance of all applicable and appropriate BMPs for on-site pollution control. (For purposes of this section, the stormwater manuals listed in Appendix 10 of the Phase I Municipal Stormwater Permit are approved by Ecology.)

C. Where construction sites also discharge to groundwater, the groundwater discharges must also meet the terms and conditions of this CSWGP. Permittees who discharge to groundwater through an injection well must also comply with any applicable requirements of the Underground Injection Control (UIC) regulations, Chapter 173-218 WAC.

S4. MONITORING REQUIREMENTS, BENCHMARKS, AND REPORTING TRIGGERS

A. Site Log Book

The Permittee must maintain a site log book that contains a record of the implementation of the SWPPP and other permit requirements, including the installation and maintenance of BMPs, site inspections, and stormwater monitoring.

B. Site Inspections

All Permittees must have site inspections conducted by a Certified Erosion and Sediment Control Lead (CESCL). (See Special Conditions S4.B.3 and B.4, below, for detailed requirements of the Permittee's CESCL.)

Site inspections must include all areas disturbed by construction activities, all BMPs, and all stormwater discharge points under the Permittee's operational control.

1. The Permittee must have staff knowledgeable in the principles and practices of erosion and sediment control. The CESCL must have the skills to assess the:
 - a. Site conditions and construction activities that could impact the quality of stormwater; and
 - b. Effectiveness of erosion and sediment control measures used to control the quality of stormwater discharges. The SWPPP must identify the CESCL, who must be present on site or on-call at all times. The CESCL must obtain this certification through an approved erosion and sediment control training program that meets the minimum training standards established by Ecology. (See BMP C160 in the manual, referred to in Special Condition S9.C.1 and 2.)
2. The CESCL must examine stormwater visually for the presence of suspended sediment, turbidity, discoloration, and oil sheen. BMP effectiveness must be evaluated to determine if it is necessary to install, maintain, or repair BMPs to improve the quality of stormwater discharges.

Based on the results of the inspection, the Permittee must correct the problems identified, by:

- a. Reviewing the SWPPP for compliance with Special Condition S9 and making appropriate revisions within 7 days of the inspection.
 - b. Immediately beginning the process of fully implementing and maintaining appropriate source control and/or treatment BMPs, within 10 days of the inspection. If installation of necessary treatment BMPs is not feasible within 10 days, Ecology may approve additional time when an extension is requested by a Permittee within the initial 10-day response period.
 - c. Documenting BMP implementation and maintenance in the site log book.
3. The CESCL must inspect all areas disturbed by construction activities, all BMPs, and all stormwater discharge points at least once every calendar week and within 24 hours of

any discharge from the site. (For purposes of this condition, individual discharge events that last more than one (1) day do not require daily inspections. For example, if a stormwater pond discharges continuously over the course of a week, only one (1) inspection is required that week.) Inspection frequency may be reduced to once every calendar month for inactive sites that are temporarily stabilized.

4. The Permittee must summarize the results of each inspection in an inspection report or checklist and maintain that with the site logbook. Inspection reports/checklists must also be attached. At a minimum, each inspection report or checklist must include:
 - a. Inspection date and time.
 - b. Weather information.
 - c. The general conditions during inspection.
 - d. The approximate amount of precipitation since the last inspection.
 - e. The approximate amount of precipitation within the last 24 hours.
 - f. A summary or list of all implemented BMPs, including observations of all erosion/sediment control structures or practices.
 - g. A description of:
 - i. BMPs inspected (including location).
 - ii. BMPs that need maintenance and why.
 - iii. BMPs that failed to operate as designed or intended, and
 - iv. Where additional or different BMPs are needed, and why.
 - h. A description of stormwater discharged from the site. The Permittee must note the presence of suspended sediment, turbidity, discoloration, and oil sheen, as applicable.
 - i. Any water quality monitoring performed during inspection.
 - j. General comments and notes, including a brief description of any BMP repairs, maintenance, or installations made following the inspection.
 - k. An implementation schedule for the remedial actions that the Permittee plans to take if the site inspection indicates that the site is out of compliance. The remedial actions taken must meet the requirements of the SWPPP and the permit.
 - l. A summary report of the inspection.
 - m. The name, title, and signature of the person conducting the site inspection, a phone number or other reliable method to reach this person, and the following statement: I certify that this report is true, accurate, and complete to the best of my knowledge and belief.

Table 3: Summary of Primary Monitoring Requirements

Size of Soil Disturbance ⁴	Weekly Site Inspections	Weekly Sampling w/ Turbidity Meter	Weekly Sampling w/ Transparency Tube	Weekly pH Sampling ⁵	CESCL Required for Inspections?
Sites that disturb fewer than 5 acres	Required	Sampling Required – either method ⁶		Required	Yes
Sites that disturb 5 acres or more	Required	Required	Not Required ⁷	Required	Yes

C. Turbidity/Transparency Sampling Requirements

1. Sampling Methods

- a. If construction activity involves the disturbance of five (5) acres or more, the Permittee must conduct turbidity sampling per Special Condition S4.C.4.a, below.
- b. If construction activity involves fewer than five (5) acres of soil disturbance, the Permittee must conduct either transparency sampling or turbidity sampling per Special Condition S4.C.4.a or b, below.

2. Sampling Frequency

- a. The Permittee must sample all discharge points at least once every calendar week when stormwater (or authorized non-stormwater) discharges from the site or enters any on-site surface waters of the state (for example, a creek running through a site). Samples must be representative of the flow and characteristics of the discharge.
- b. Sampling is not required when there is no discharge during a calendar week.

⁴ Soil disturbance is calculated by adding together all areas that will be affected by construction activity. Construction activity means clearing, grading, excavation, and any other activity that disturbs the surface of the land, including ingress/egress from the site.

⁵ If construction activity involves significant concrete work (1,000 cubic yards of concrete or recycled concrete placed or poured over the life of a project) or the use of engineered soils (soil amendments including but not limited to Portland cement-treated base [CTB], cement kiln dust [CKD], or fly ash), and stormwater from the affected area drains to surface waters of the State or to a storm sewer stormwater collection system that drains to other surface waters of the State, the Permittee must conduct pH sampling in accordance with Special Condition S4.D.

³ Sites under 5 acres of soil disturbance, must conduct turbidity or transparency sampling in accordance with Special Condition S4.C.4.a or b.

⁷ Sites equal to or greater than 5 acres of soil disturbance must conduct turbidity sampling using a turbidity meter in accordance with Special Condition S4.C.4.a.

- c. Sampling is not required outside of normal working hours or during unsafe conditions.
- d. If the Permittee is unable to sample during a monitoring period, the Permittee must include a brief explanation in the monthly Discharge Monitoring Report (DMR).
- e. Sampling is not required before construction activity begins.
 - i. DMRs are still required to be submitted monthly.
- f. The Permittee may reduce the sampling frequency for temporarily stabilized, inactive sites to once every calendar month
 - i. DMRs are still required to be submitted monthly.

3. Sampling Locations

- a. Sampling is required at all points where stormwater associated with construction activity (or authorized non-stormwater) is discharged off-site, including where it enters any on-site surface waters of the state (for example, a creek running through a site).
- b. The Permittee may discontinue sampling at discharge points that drain areas of the project that are fully stabilized to prevent erosion.
- c. The Permittee must identify all sampling point(s) in the SWPPP and on the site map and clearly mark these points in the field with a flag, tape, stake or other visible marker.
- d. Sampling is not required for discharge that is sent directly to sanitary or combined sewer systems.
- e. The Permittee may discontinue sampling at discharge points in areas of the project where the Permittee no longer has operational control of the construction activity.

4. Sampling and Analysis Methods

- a. The Permittee performs turbidity analysis with a calibrated turbidity meter (turbidimeter) either on site or at an accredited lab. The Permittee must record the results in the site logbook in nephelometric turbidity units (NTUs).
- b. The Permittee performs transparency analysis on site with a 1¾ inch diameter, 60 centimeter (cm)-long transparency tube. The Permittee will record the results in the site logbook in centimeters (cm).

Table 4: Monitoring and Reporting Requirements

Parameter	Unit	Analytical Method	Sampling Frequency	Benchmark Value
Turbidity	NTU	SM2130	Weekly, if discharging	25 NTUs
Transparency	Cm	Manufacturer instructions, or Ecology guidance	Weekly, if discharging	33 cm

5. Turbidity/Transparency Benchmark Values and Reporting Triggers

The benchmark value for turbidity is 25 NTUs. The benchmark value for transparency is 33 centimeters (cm). Note: Benchmark values do not apply to discharges to segments of water bodies on Washington State’s 303(d) list (Category 5) for turbidity, fine sediment, or phosphorus; these discharges are subject to a numeric effluent limit for turbidity. Refer to Special Condition S8 for more information and follow S5.F – Noncompliance Notification for reporting requirements applicable to discharges which exceed the numeric effluent limit for turbidity.

a. Turbidity 26 – 249 NTUs, or Transparency 32 – 7 cm:

If the discharge turbidity is 26 to 249 NTUs; or if discharge transparency is 32 to 7 cm, the Permittee must:

- i. Immediately begin the process to fully implement and maintain appropriate source control and/or treatment BMPs, and no later than 10 days of the date the discharge exceeded the benchmark. If installation of necessary treatment BMPs is not feasible within 10 days, Ecology may approve additional time when the Permittee requests an extension within the initial 10-day response period.
- ii. Review the SWPPP for compliance with Special Condition S9 and make appropriate revisions within 7 days of the date the discharge exceeded the benchmark.
- iii. Document BMP implementation and maintenance in the site logbook.

b. Turbidity 250 NTUs or greater, or Transparency 6 cm or less:

If a discharge point’s turbidity is 250 NTUs or greater, or if discharge transparency is less than or equal to 6 cm, the Permittee must complete the reporting and adaptive management process described below. For discharges which are subject to a numeric effluent limit for turbidity, see S5.F – Noncompliance Notification.

- i. Within 24 hours, telephone or submit an electronic report to the applicable Ecology Region’s Environmental Report Tracking System (ERTS) number), in accordance with Special Condition S5.A.

- **Central Region** (Okanogan, Chelan, Douglas, Kittitas, Yakima, Klickitat, Benton): (509) 575-2490
- **Eastern Region** (Adams, Asotin, Columbia, Ferry, Franklin, Garfield, Grant, Lincoln, Pend Oreille, Spokane, Stevens, Walla Walla, Whitman): (509) 329-3400
- **Northwest Region** (Kitsap, Snohomish, Island, King, San Juan, Skagit, Whatcom): (425) 649-7000
- **Southwest Region** (Grays Harbor, Lewis, Mason, Thurston, Pierce, Clark, Cowlitz, Skamania, Wahkiakum, Clallam, Jefferson, Pacific): (360) 407-6300

These numbers and a link to the ERTS reporting page are also listed at The [Construction Stormwater General Permit](#)⁸ website.

- ii. Immediately begin the process to fully implement and maintain appropriate source control and/or treatment BMPs as soon as possible, addressing the problems within 10 days of the date the discharge exceeded the benchmark. If installation of necessary treatment BMPs is not feasible within 10 days, Ecology may approve additional time when the Permittee requests an extension within the initial 10-day response period.
- iii. Sample discharges daily until:
 - a) Turbidity is 25 NTUs (or lower); or
 - b) Transparency is 33 cm (or greater); or
 - c) The Permittee has demonstrated compliance with the water quality standard for turbidity:
 - 1) No more than 5 NTUs over background turbidity*, if background is less than 50 NTUs, or
 - 2) No more than 10% over background turbidity*, if background is 50 NTUs or greater; or

*Note: background turbidity in the receiving water must be measured immediately upstream (upgradient) or outside of the area of influence of the discharge.
 - d) The discharge stops or is eliminated.
- iv. Review the SWPPP for compliance with Special Condition S9 and make appropriate revisions within seven (7) days of the date the discharge exceeded the benchmark.

⁸ <https://ecology.wa.gov/regulations-permits/permits-certifications/stormwater-general-permits/construction-stormwater-permit>

- v. Document BMP implementation and maintenance in the site log book.

Compliance with these requirements does not relieve the Permittee from responsibility to maintain continuous compliance with permit benchmarks.

D. pH Sampling Requirements – Significant Concrete Work or Engineered Soils

If construction activity involves significant concrete work (significant concrete work means greater than 1000 cubic yards placed or poured concrete or recycled concrete used over the life of a project) or the use of engineered soils (soil amendments including but not limited to Portland cement-treated base [CTB], cement kiln dust [CKD], or fly ash), and stormwater from the affected area drains to surface waters of the State or to a storm sewer system that drains to surface waters of the State, the Permittee must conduct pH sampling as set forth below. Note: In addition, discharges to segments of water bodies on Washington State's 303(d) list (Category 5) for high pH are subject to a numeric effluent limit for pH; refer to Special Condition S8.

1. The Permittee must perform pH analysis on site with a calibrated pH meter. The Permittee must record pH sampling results in the site logbook.
2. During the applicable pH monitoring period defined below, the Permittee must obtain a representative sample of stormwater and conduct pH analysis at least once per week.
 - a. For sites with significant concrete work, the Permittee must begin the pH sampling period when the concrete is first placed or poured and exposed to precipitation, and continue weekly throughout and after the concrete placement, pour and curing period, until stormwater pH is in the range of 6.5 to 8.5 (su).
 - b. For sites with recycled concrete where monitoring is required, the Permittee must begin the weekly pH sampling period when the recycled concrete is first exposed to precipitation and must continue until the recycled concrete is fully stabilized with the stormwater pH in the range of 6.5 to 8.5 (su).
 - c. For sites with engineered soils, the Permittee must begin the pH sampling period when the soil amendments are first exposed to precipitation and must continue until the area of engineered soils is fully stabilized.
3. The Permittee must sample pH in the sediment trap/pond(s) or other locations that receive stormwater runoff from the area of significant concrete work or engineered soils before the stormwater discharges to surface waters.
4. The benchmark value for pH is 8.5 standard units. Anytime sampling indicates that pH is 8.5 or greater, the Permittee must either:
 - a. Prevent the high pH water (8.5 or above) from entering storm sewer systems or surface waters of the state; or
 - b. If necessary, adjust or neutralize the high pH water until it is in the range of pH 6.5 to 8.5 (su) using an appropriate treatment BMP such as carbon dioxide (CO₂) sparging, dry ice or food grade vinegar. The Permittee must obtain written approval

from Ecology before using any form of chemical treatment other than CO2 sparging, dry ice or food grade vinegar.

S5. REPORTING AND RECORDKEEPING REQUIREMENTS

A. High Turbidity Reporting

Anytime sampling performed in accordance with Special Condition S4.C indicates turbidity has reached the 250 NTUs or more (or transparency less than or equal to 6 cm), high turbidity reporting level, the Permittee must notify Ecology within 24 hours of analysis either by calling the applicable Ecology Region's Environmental Report Tracking System (ERTS) number by phone or by submitting an electronic ERTS report through the online reporting form: ([ERTS](#)⁹). Also, see phone numbers in Special Condition S4.C.5.b.i.

B. Discharge Monitoring Reports (DMRs)

Permittees required to conduct water quality sampling in accordance with Special Conditions S4.C (Turbidity/Transparency), S4.D (pH), S8 (303[d]/TMDL sampling), and/or G12 (Additional Sampling) must submit the results to Ecology.

Permittees must submit monitoring data using Ecology's WQWebDMR web application accessed through Ecology's Water Quality Permitting Portal.

Permittees unable to submit electronically (for example, those who do not have an internet connection) must contact Ecology to request a waiver and obtain instructions on how to obtain a paper copy DMR at:

Department of Ecology
Water Quality Program - Construction Stormwater
PO Box 47696
Olympia, WA 98504-7696

Permittees who obtain a waiver not to use WQWebDMR must use the forms provided to them by Ecology; submittals must be mailed to the address above. Permittees must submit DMR forms to be received by Ecology within 15 days following the end of each month.

If there was no discharge during a given monitoring period, all Permittees must submit a DMR as required with "no discharge" entered in place of the monitoring results. DMRs are required for the full duration of permit coverage (from the first full month following the effective date of permit coverage up until Ecology has approved termination of the coverage). For more information, contact Ecology staff using information provided at the [PARIS](#)¹⁰ website.

⁹<https://ecology.wa.gov/footer-pages/report-an-environmental-issue>

¹⁰ <https://ecology.wa.gov/Regulations-Permits/Guidance-technical-assistance/Water-quality-permits-database>

C. Records Retention

The Permittee must retain records of all monitoring information (site logbook, sampling results, inspection reports/checklists, etc.), Stormwater Pollution Prevention Plan, copy of the permit coverage letter (including Transfer of Coverage documentation) and any other documentation of compliance with permit requirements for the entire life of the construction project and for a minimum of five (5) years following the termination of permit coverage. Such information must include all calibration and maintenance records, and records of all data used to complete the application for this permit. This period of retention must be extended during the course of any unresolved litigation regarding the discharge of pollutants by the Permittee or when requested by Ecology.

D. Recording Results

For each measurement or sample taken, the Permittee must record the following information:

1. Date, place, method, and time of sampling or measurement.
2. The first and last name of the individual who performed the sampling or measurement.
3. The date(s) the analyses were performed.
4. The first and last name of the individual who performed the analyses.
5. The analytical techniques or methods used.
6. The results of all analyses.

E. Additional Monitoring by the Permittee

If the Permittee samples or monitors any pollutant more frequently than required by this permit using test procedures specified by Special Condition S4 of this permit, the sampling results for this monitoring must be included in the calculation and reporting of the data submitted in the Permittee's DMR.

F. Noncompliance Notification

In the event the Permittee is unable to comply with any part of the terms and conditions of this permit, and the resulting noncompliance may cause a threat to human health or the environment (such as but not limited to spills or fuels or other materials, catastrophic pond or slope failure, and discharges that violate water quality standards), or exceed numeric effluent limitations (see S8 – Discharges to 303(d) or TMDL Waterbodies), the Permittee must, upon becoming aware of the circumstance:

1. Notify Ecology within 24 hours of the failure to comply by calling the applicable Regional office ERTS phone number (refer to Special Condition S4.C.5.b.i, or go to the [reporting website](https://ecology.wa.gov/footer-pages/report-an-environmental-issue)¹¹)

¹¹ <https://ecology.wa.gov/footer-pages/report-an-environmental-issue>

2. Immediately take action to prevent the discharge/pollution, or otherwise stop or correct the noncompliance, and, if applicable, repeat sampling and analysis of any noncompliance immediately and submit the results to Ecology within five (5) days of becoming aware of the violation (See S5.F.3, below, for details on submitting results in a report).
3. Submit a detailed written report to Ecology within five (5) days of the time the Permittee becomes aware of the circumstances, unless requested earlier by Ecology. The report must be submitted using Ecology's Water Quality Permitting Portal (WQWebPortal) – Permit Submittals, unless a waiver from electronic reporting has been granted according to S5.B. The report must contain a description of the noncompliance, including exact dates and times, and if the noncompliance has not been corrected, the anticipated time it is expected to continue; and the steps taken or planned to reduce, eliminate, and prevent reoccurrence of the noncompliance.

The Permittee must report any unanticipated bypass and/or upset that exceeds any effluent limit in the permit in accordance with the 24-hour reporting requirement contained in 40 C.F.R. 122.41(iii)(B).

Compliance with these requirements does not relieve the Permittee from responsibility to maintain continuous compliance with the terms and conditions of this permit or the resulting liability for failure to comply. Upon request of the Permittee, Ecology may waive the requirement for a written report on a case-by-case basis, if the immediate notification is received by Ecology within 24 hours.

G. Access to Plans and Records

1. The Permittee must retain the following permit documentation (plans and records) on site, or within reasonable access to the site, for use by the operator or for on-site review by Ecology or the local jurisdiction:
 - a. General Permit
 - b. Permit Coverage Letter
 - c. Stormwater Pollution Prevention Plan (SWPPP)
 - d. Site Log Book
 - e. Erosivity Waiver (if applicable)
2. The Permittee must address written requests for plans and records listed above (Special Condition S5.G.1) as follows:
 - a. The Permittee must provide a copy of plans and records to Ecology within 14 days of receipt of a written request from Ecology.
 - b. The Permittee must provide a copy of plans and records to the public when requested in writing. Upon receiving a written request from the public for the Permittee's plans and records, the Permittee must either:

- i. Provide a copy of the plans and records to the requester within 14 days of a receipt of the written request; or
- ii. Notify the requester within 10 days of receipt of the written request of the location and times within normal business hours when the plans and records may be viewed; and provide access to the plans and records within 14 days of receipt of the written request; or

Within 14 days of receipt of the written request, the Permittee may submit a copy of the plans and records to Ecology for viewing and/or copying by the requester at an Ecology office, or a mutually agreed location. If plans and records are viewed and/or copied at a location other than at an Ecology office, the Permittee will provide reasonable access to copying services for which a reasonable fee may be charged. The Permittee must notify the requester within 10 days of receipt of the request where the plans and records may be viewed and/or copied.

S6. PERMIT FEES

The Permittee must pay permit fees assessed by Ecology. Fees for stormwater discharges covered under this permit are established by Chapter 173-224 WAC. Ecology continues to assess permit fees until the permit is terminated in accordance with Special Condition S10 or revoked in accordance with General Condition G5.

S7. SOLID AND LIQUID WASTE DISPOSAL

The Permittee must handle and dispose of solid and liquid wastes generated by construction activity, such as demolition debris, construction materials, contaminated materials, and waste materials from maintenance activities, including liquids and solids from cleaning catch basins and other stormwater facilities, in accordance with:

1. Special Condition S3, Compliance with Standards.
2. WAC 173-216-110.
3. Other applicable regulations.

S8. DISCHARGES TO 303(d) OR TMDL WATERBODIES

A. Sampling and Numeric Effluent Limits for Certain Discharges to 303(d)-Listed Water Bodies

1. Permittees who discharge to segments of water bodies listed as impaired by the State of Washington under Section 303(d) of the Clean Water Act for turbidity, fine sediment, high pH, low dissolved oxygen or phosphorus, must conduct water quality sampling according to the requirements of this section, and Special Conditions S4.C.2.b-f and S4.C.3.b-d, and must comply with the applicable numeric effluent limitations in S8.C and S8.D.
2. All references and requirements associated with Section 303(d) of the Clean Water Act mean the most current listing by Ecology of impaired waters (Category 5) that exists on January 1, 2021, or the date when the operator's complete permit application is received by Ecology, whichever is later. For information about which surface waters are on the Category 5 list of impaired waters, refer to Ecology's [Water Quality Atlas](#)¹².

B. Limits on Coverage for New Discharges to TMDL or 303(d)-Listed Waters

Construction sites that discharge to a TMDL or 303(d)-listed waterbody are not eligible for coverage under this permit unless the operator:

1. Prevents exposing stormwater to pollutants for which the waterbody is impaired, and retains documentation in the SWPPP that details procedures taken to prevent exposure on site; or
2. Documents that the pollutants for which the waterbody is impaired are not present at the site, and retains documentation of this finding within the SWPPP; or
3. Provides Ecology with data indicating the discharge is not expected to cause or contribute to an exceedance of a water quality standard and retains such data on site with the SWPPP. The operator must provide data and other technical information to Ecology that sufficiently demonstrate:
 - a. For discharges to waters without an EPA-approved or -established TMDL, that the discharge of the pollutant for which the water is impaired will meet in-stream water quality criteria at the point of discharge to the waterbody; or
 - b. For discharges to waters with an EPA-approved or -established TMDL, that there is sufficient remaining waste load allocation in the TMDL to allow construction stormwater discharge and that existing dischargers to the waterbody are subject to compliance schedules designed to bring the waterbody into attainment with water quality standards.

Operators of construction sites are eligible for coverage under this permit only after Ecology makes an affirmative determination that the discharge will not cause or contribute to the existing impairment or exceed the TMDL.

¹² <https://apps.ecology.wa.gov/waterqualityatlas/wqa/map>

C. Sampling and Numeric Effluent Limits for Discharges to Water Bodies on the 303(d) List for Turbidity, Fine Sediment, or Phosphorus

1. Permittees who discharge to segments of water bodies on the 303(d) list (Category 5) for turbidity, fine sediment, low dissolved oxygen or phosphorus must conduct turbidity sampling in accordance with Special Condition S4.C.2 and comply with either applicable numeric effluent limits noted in Table 5 below.
2. As an alternative to the 25 NTUs effluent limit noted in Table 5 below (applied at the point where stormwater [or authorized non-stormwater] is discharged off-site), Permittees may choose to comply with the surface water quality standard for turbidity. The standard is: no more than 5 NTUs over background turbidity when the background turbidity is 50 NTUs or less, or no more than a 10% increase in turbidity when the background turbidity is more than 50 NTUs. In order to use the water quality standard requirement, the sampling must take place at the following locations:
 - a. Background turbidity in the 303(d)-listed receiving water immediately upstream (upgradient) or outside the area of influence of the discharge.
 - b. Turbidity at the point of discharge into the 303(d)-listed receiving water, inside the area of influence of the discharge.
3. Discharges that exceed the numeric effluent limit for turbidity constitute a violation of this permit.
4. Permittees whose discharges exceed the numeric effluent limit must sample discharges daily until the violation is corrected and comply with the non-compliance notification requirements in Special Condition S5.F.

Table 5: Turbidity, Fine Sediment, Low Dissolved Oxygen & Phosphorus Sampling and Limits for 303(d)-Listed Waters

Parameter identified in 303(d) listing	Parameter Sampled		Analytical Method	Sampling Frequency	Numeric Effluent Limit ¹
<ul style="list-style-type: none"> • Turbidity • Fine Sediment • Phosphorus • Low Dissolved oxygen 	Turbidity	NTU	SM2130	Weekly, if discharging	25 NTUs, at the point where stormwater is discharged from the site; OR In compliance with the surface water quality standard for turbidity (S8.C.2.a)
<ul style="list-style-type: none"> • If Dewatering 	Turbidity	NTU	SM2130	Daily, if discharging	25 NTUs, at the point where stormwater is discharged from the site, OR In compliance with the surface water quality standard for turbidity (S8.C.2.a)

1. Permittees subject to a numeric effluent limit for turbidity may, at their discretion, choose either numeric effluent limitation based on site-specific considerations including, but not limited to, safety, access and convenience.

D. Discharges to Water Bodies on the 303(d) List for High pH

1. Permittees who discharge to segments of water bodies on the 303(d) list (Category 5) for high pH must conduct pH sampling in accordance with the table below and comply with the numeric effluent limit of pH 6.5 to 8.5 su (Table 6).

Table 6: pH Sampling and Limits for 303(d)-Listed Waters

Parameter identified in 303(d) listing	Parameter Sampled/Units	Analytical Method	Sampling Frequency	Numeric Effluent Limit
High pH	pH /Standard Units	pH meter	Weekly, if discharging	In the range of 6.5 – 8.5 su

2. At the Permittee’s discretion, compliance with the limit shall be assessed at one of the following locations:
 - a. Directly in the 303(d)-listed waterbody segment, inside the immediate area of influence of the discharge; or
 - b. Alternatively, the Permittee may measure pH at the point where the discharge leaves the construction site, rather than in the receiving water.
3. Discharges that exceed the numeric effluent limit for pH (outside the range of 6.5 – 8.5 su) constitute a violation of this permit.
4. Permittees whose discharges exceed the numeric effluent limit must sample discharges daily until the violation is corrected and comply with the non-compliance notification requirements in Special Condition S5.F.

E. Sampling and Limits for Sites Discharging to Waters Covered by a TMDL or another Pollution Control Plan

1. Discharges to a waterbody that is subject to a Total Maximum Daily Load (TMDL) for turbidity, fine sediment, high pH, or phosphorus must be consistent with the TMDL. Refer to [Water Quality improvement projects](https://ecology.wa.gov/water-shorelines/water-quality/water-improvement/total-maximum-daily-load-process/directory-of-improvement-projects)¹³ for more information on TMDLs.
 - a. Where an applicable TMDL sets specific waste load allocations or requirements for discharges covered by this permit, discharges must be consistent with any specific waste load allocations or requirements established by the applicable TMDL.
 - i. The Permittee must sample discharges weekly, unless otherwise specified by the TMDL, to evaluate compliance with the specific waste load allocations or requirements.
 - ii. Analytical methods used to meet the monitoring requirements must conform to the latest revision of the *Guidelines Establishing Test Procedures for the Analysis of Pollutants* contained in 40 CFR Part 136.
 - iii. Turbidity and pH methods need not be accredited or registered unless conducted at a laboratory which must otherwise be accredited or registered.

¹³ <https://ecology.wa.gov/water-shorelines/water-quality/water-improvement/total-maximum-daily-load-process/directory-of-improvement-projects>

- b. Where an applicable TMDL has established a general waste load allocation for construction stormwater discharges, but has not identified specific requirements, compliance with Special Conditions S4 (Monitoring) and S9 (SWPPPs) will constitute compliance with the approved TMDL.
- c. Where an applicable TMDL has not specified a waste load allocation for construction stormwater discharges, but has not excluded these discharges, compliance with Special Conditions S4 (Monitoring) and S9 (SWPPPs) will constitute compliance with the approved TMDL.
- d. Where an applicable TMDL specifically precludes or prohibits discharges from construction activity, the operator is not eligible for coverage under this permit.

S9. STORMWATER POLLUTION PREVENTION PLAN

The Permittee must prepare and properly implement an adequate Stormwater Pollution Prevention Plan (SWPPP) for construction activity in accordance with the requirements of this permit beginning with initial soil disturbance and until final stabilization.

A. The Permittee's SWPPP must meet the following objectives:

1. To identify best management practices (BMPs) which prevent erosion and sedimentation, and to reduce, eliminate or prevent stormwater contamination and water pollution from construction activity.
2. To prevent violations of surface water quality, groundwater quality, or sediment management standards.
3. To control peak volumetric flow rates and velocities of stormwater discharges.

B. General Requirements

1. The SWPPP must include a narrative and drawings. All BMPs must be clearly referenced in the narrative and marked on the drawings. The SWPPP narrative must include documentation to explain and justify the pollution prevention decisions made for the project. Documentation must include:
 - a. Information about existing site conditions (topography, drainage, soils, vegetation, etc.).
 - b. Potential erosion problem areas.
 - c. The 13 elements of a SWPPP in Special Condition S9.D.1-13, including BMPs used to address each element.
 - d. Construction phasing/sequence and general BMP implementation schedule.
 - e. The actions to be taken if BMP performance goals are not achieved—for example, a contingency plan for additional treatment and/or storage of stormwater that would violate the water quality standards if discharged.
 - f. Engineering calculations for ponds, treatment systems, and any other designed structures. When a treatment system requires engineering calculations, these calculations must be included in the SWPPP. Engineering calculations do not need to be included in the SWPPP for treatment systems that do not require such calculations.
2. The Permittee must modify the SWPPP if, during inspections or investigations conducted by the owner/operator, or the applicable local or state regulatory authority, it is determined that the SWPPP is, or would be, ineffective in eliminating or significantly minimizing pollutants in stormwater discharges from the site. The Permittee must then:
 - a. Review the SWPPP for compliance with Special Condition S9 and make appropriate revisions within 7 days of the inspection or investigation.

- b. Immediately begin the process to fully implement and maintain appropriate source control and/or treatment BMPs as soon as possible, addressing the problems no later than 10 days from the inspection or investigation. If installation of necessary treatment BMPs is not feasible within 10 days, Ecology may approve additional time when an extension is requested by a Permittee within the initial 10-day response period.
- c. Document BMP implementation and maintenance in the site logbook.

The Permittee must modify the SWPPP whenever there is a change in design, construction, operation, or maintenance at the construction site that has, or could have, a significant effect on the discharge of pollutants to waters of the State.

C. Stormwater Best Management Practices (BMPs)

BMPs must be consistent with:

1. *Stormwater Management Manual for Western Washington* (most current approved edition at the time this permit was issued), for sites west of the crest of the Cascade Mountains; or
2. *Stormwater Management Manual for Eastern Washington* (most current approved edition at the time this permit was issued), for sites east of the crest of the Cascade Mountains; or
3. Revisions to the manuals listed in Special Condition S9.C.1 & 2, or other stormwater management guidance documents or manuals which provide an equivalent level of pollution prevention, that are approved by Ecology and incorporated into this permit in accordance with the permit modification requirements of WAC 173-226-230; or
4. Documentation in the SWPPP that the BMPs selected provide an equivalent level of pollution prevention, compared to the applicable stormwater management manuals, including:
 - a. The technical basis for the selection of all stormwater BMPs (scientific, technical studies, and/or modeling) that support the performance claims for the BMPs being selected.
 - b. An assessment of how the selected BMP will satisfy AKART requirements and the applicable federal technology-based treatment requirements under 40 CFR part 125.3.

D. SWPPP – Narrative Contents and Requirements

The Permittee must include each of the 13 elements below in Special Condition S9.D.1-13 in the narrative of the SWPPP and implement them unless site conditions render the element unnecessary and the exemption from that element is clearly justified in the SWPPP.

1. Preserve Vegetation/Mark Clearing Limits
 - a. Before beginning land-disturbing activities, including clearing and grading, clearly mark all clearing limits, sensitive areas and their buffers, and trees that are to be preserved within the construction area.
 - b. Retain the duff layer, native topsoil, and natural vegetation in an undisturbed state to the maximum degree practicable.
2. Establish Construction Access
 - a. Limit construction vehicle access and exit to one route, if possible.
 - b. Stabilize access points with a pad of quarry spalls, crushed rock, or other equivalent BMPs, to minimize tracking sediment onto roads. Do not use crushed concrete, for construction access stabilization.
 - c. Locate wheel wash or tire baths on site, if the stabilized construction entrance is not effective in preventing tracking sediment onto roads. Wheel wash and tire baths must comply with special condition S9.D.9.d to prevent discharge to surface waters and ensure appropriate treatment and disposal methods of wash water.
 - d. If sediment is tracked off-site, clean the affected roadway thoroughly at the end of each day, or more frequently as necessary (for example, during wet weather). Remove sediment from roads by shoveling, sweeping, or pickup and transport of the sediment to a controlled sediment disposal area.
 - e. Conduct street washing only after sediment removal in accordance with Special Condition S9.D.2.d.
 - f. Control street wash wastewater by pumping back on site or otherwise preventing it from discharging into systems tributary to waters of the State.
3. Control Flow Rates
 - a. Protect properties and waterways downstream of construction sites from erosion and the associated discharge of turbid waters due to increases in the velocity and peak volumetric flow rate of stormwater runoff from the project site
 - b. Where necessary to comply with Special Condition S9.D.3.a, construct stormwater infiltration or detention BMPs as one of the first steps in grading. Assure that detention BMPs function properly before constructing site improvements (for example, impervious surfaces).
 - c. If permanent infiltration ponds are used for flow control during construction, protect these facilities from sedimentation during the construction phase.
4. Install Sediment Controls

The Permittee must design, install and maintain effective erosion controls and sediment controls to minimize the discharge of pollutants. At a minimum, the Permittee must:

- a. Construct sediment control BMPs (sediment ponds, traps, filters, infiltration facilities, etc.) as one of the first steps in grading. These BMPs must be functional before other land disturbing activities take place.
- b. Minimize sediment discharges from the site. The design, installation and maintenance of erosion and sediment controls must address factors such as the amount, frequency, intensity and duration of precipitation, the nature of resulting stormwater runoff, and soil characteristics, including the range of soil particle sizes expected to be present on the site.
- c. Direct stormwater runoff from disturbed areas through a sediment pond or other appropriate sediment removal BMP, before the runoff leaves a construction site or before discharge to an infiltration facility. Runoff from fully stabilized areas may be discharged without a sediment removal BMP but must meet the flow control performance standard of Special Condition S9.D.3.a.
- d. Locate BMPs intended to trap sediment on site in a manner to avoid interference with the movement of juvenile salmonids attempting to enter off-channel areas or drainages.
- e. Provide and maintain natural buffers around surface waters, direct stormwater to vegetated areas to increase sediment removal and maximize stormwater infiltration, unless infeasible.
- f. Where feasible, design outlet structures that withdraw impounded stormwater from the surface to avoid discharging sediment that is still suspended lower in the water column.

5. Stabilize Soils

- a. The Permittee must stabilize exposed and unworked soils by application of effective BMPs that prevent erosion. Applicable BMPs include, but are not limited to: temporary and permanent seeding, sodding, mulching, plastic covering, erosion control fabrics and matting, soil application of polyacrylamide (PAM), the early application of gravel base on areas to be paved, and dust control.
- b. The Permittee must control stormwater volume and velocity within the site to minimize soil erosion.
- c. The Permittee must control stormwater discharges, including both peak flow rates and total stormwater volume, to minimize erosion at outlets and to minimize downstream channel and stream bank erosion.
- d. Depending on the geographic location of the project, the Permittee must not allow soils to remain exposed and unworked for more than the time periods set forth below to prevent erosion.
 - **West of the Cascade Mountains Crest**
During the dry season (May 1 - September 30): 7 days
During the wet season (October 1 - April 30): 2 days

- **East of the Cascade Mountains Crest**, except for Central Basin*
During the dry season (July 1 - September 30): 10 days
During the wet season (October 1 - June 30): 5 days
- **The Central Basin***, East of the Cascade Mountains Crest
During the dry Season (July 1 - September 30): 30 days
During the wet season (October 1 - June 30): 15 days

***Note: The Central Basin** is defined as the portions of Eastern Washington with mean annual precipitation of less than 12 inches.

- e. The Permittee must stabilize soils at the end of the shift before a holiday or weekend if needed based on the weather forecast.
 - f. The Permittee must stabilize soil stockpiles from erosion, protected with sediment trapping measures, and where possible, be located away from storm drain inlets, waterways, and drainage channels.
 - g. The Permittee must minimize the amount of soil exposed during construction activity.
 - h. The Permittee must minimize the disturbance of steep slopes.
 - i. The Permittee must minimize soil compaction and, unless infeasible, preserve topsoil.
6. Protect Slopes
- a. The Permittee must design and construct cut-and-fill slopes in a manner to minimize erosion. Applicable practices include, but are not limited to, reducing continuous length of slope with terracing and diversions, reducing slope steepness, and roughening slope surfaces (for example, track walking).
 - b. The Permittee must divert off-site stormwater (run-on) or groundwater away from slopes and disturbed areas with interceptor dikes, pipes, and/or swales. Off-site stormwater should be managed separately from stormwater generated on the site.
 - c. At the top of slopes, collect drainage in pipe slope drains or protected channels to prevent erosion.
 - i. West of the Cascade Mountains Crest: Temporary pipe slope drains must be sized to convey the flow rate calculated by one of the following methods:
 - Single Event Hydrograph Method: the peak volumetric flow rate calculated using a 10-minute flow rate from a Type 1A, 10-year, 24-hour frequency storm for the developed condition, OR
 - Continuous Simulation Method: Alternatively, the 10-year peak flow rates determined by an approved continuous runoff model with a 15-minute time step may be used. The hydrologic analysis must use the existing land cover condition for predicting flow rates from tributary areas outside the project limits. For tributary areas on the project site, the analysis must use

the temporary or permanent project land cover condition, whichever will produce the highest flow rates. If using the Western Washington Hydrology Model (WWHM) to predict flows, bare soil areas should be modeled as "lawn area."

- ii. East of the Cascade Mountains Crest: Temporary pipe slope drains must be sized to handle the expected peak flow rate from a 6-month, 3-hour storm for the developed condition, referred to as the short duration storm.
 - d. Place excavated material on the uphill side of trenches, consistent with safety and space considerations.
 - e. Place check dams at regular intervals within constructed channels that are cut down a slope.
7. Protect Drain Inlets
 - a. Protect all storm drain inlets made operable during construction so that stormwater runoff does not enter the conveyance system without first being filtered or treated to remove sediment.
 - b. Clean or remove and replace inlet protection devices when sediment has filled one-third of the available storage (unless a different standard is specified by the product manufacturer).
8. Stabilize Channels and Outlets
 - a. Design, construct and stabilize all on-site conveyance channels to prevent erosion from the following expected peak flows:
 - i. West of the Cascade Mountains Crest: calculate using one of the following methods:
 - Single Event Hydrograph Method: Channels must handle the peak volumetric flow rate using a 10-minute time step from a Type 1A, 10-year, 24-hour frequency storm, OR
 - Continuous Simulation Method Alternatively, the 10-year, peak flow rate indicated by an approved continuous runoff model with a 15-minute time step may be used. The hydrologic analysis must use the existing land cover condition for predicting flow rates from tributary areas outside the project limits. For tributary areas on the project site, the analysis must use the temporary or permanent project land cover condition, whichever will produce the highest flow rates. If using the WWHM to predict flows, bare soil areas should be modeled as "lawn area."
 - ii. East of the Cascade Mountains Crest: Channels must handle the expected peak flow rate from a 6-month, 3-hour storm for the developed condition, referred to as the short duration storm.

- b. Provide stabilization, including armoring material, adequate to prevent erosion of outlets, adjacent stream banks, slopes, along construction road shoulders, sloped work areas, and downstream reaches at the outlets of all conveyance systems.

9. Control Pollutants

Design, install, implement and maintain effective pollution prevention measures to minimize the discharge of pollutants. The Permittee must:

- a. Handle and dispose of all pollutants, including waste materials and demolition debris that occur on site in a manner that does not cause contamination of stormwater or waters of the state.
- b. Provide cover, containment, and protection from vandalism for all chemicals, liquid products, petroleum products, and other materials that have the potential to pose a threat to human health or the environment. Minimize storage of hazardous materials on-site. Safety Data Sheets (SDS) should be supplied for all materials stored. Keep chemicals in their original labeled containers. On-site fueling tanks must include secondary containment. Secondary containment means placing tanks or containers within an impervious structure capable of containing 110% of the volume of the largest tank within the containment structure. Double-walled tanks do not require additional secondary containment.
- c. Conduct maintenance, fueling, and repair of heavy equipment and vehicles using spill prevention and control measures. Clean contaminated surfaces immediately following any spill incident.
- d. Discharge wheel wash or tire bath wastewater to a separate on-site treatment system that prevents discharge to surface water, or to the sanitary sewer with local sewer district approval.
- e. Apply fertilizers and pesticides in a manner and at application rates that will not result in loss of chemical to stormwater runoff. Follow manufacturers' label requirements for application rates and procedures.
- f. Use BMPs to prevent contamination of stormwater runoff by pH-modifying sources. The sources for this contamination include, but are not limited to: bulk cement, cement kiln dust, fly ash, new concrete washing and curing waters, recycled concrete, waste streams generated from concrete grinding and sawing, exposed aggregate processes, dewatering concrete vaults, concrete pumping and mixer washout waters. (Also refer to the definition for "concrete wastewater" in Appendix A – Definitions.)
- g. Adjust the pH of stormwater or authorized non-stormwater if necessary to prevent an exceedance of groundwater and/or surface water quality standards.
- h. Assure that washout of concrete trucks is performed off-site or in designated concrete washout areas only. Do not wash out concrete truck drums onto the ground, or into storm drains, open ditches, streets, or streams. Washout of small concrete handling equipment may be disposed of in a formed area awaiting

concrete where it will not contaminate surface or groundwater. Do not dump excess concrete on site, except in designated concrete washout areas. Concrete spillage or concrete discharge directly to groundwater or surface waters of the State is prohibited. At no time shall concrete be washed off into the footprint of an area where an infiltration BMP will be installed.

- i. Obtain written approval from Ecology before using any chemical treatment, with the exception of CO₂, dry ice or food grade vinegar, to adjust pH.
- j. Uncontaminated water from water-only based shaft drilling for construction of building, road, and bridge foundations may be infiltrated provided the wastewater is managed in a way that prohibits discharge to surface waters. Prior to infiltration, water from water-only based shaft drilling that comes into contact with curing concrete must be neutralized until pH is in the range of 6.5 to 8.5 (su).

10. Control Dewatering

- a. Permittees must discharge foundation, vault, and trench dewatering water, which have characteristics similar to stormwater runoff at the site, in conjunction with BMPs to reduce sedimentation before discharge to a sediment trap or sediment pond.
- b. Permittees may discharge clean, non-turbid dewatering water, such as well-point groundwater, to systems tributary to, or directly into surface waters of the State, as specified in Special Condition S9.D.8, provided the dewatering flow does not cause erosion or flooding of receiving waters. Do not route clean dewatering water through stormwater sediment ponds. Note that “surface waters of the State” may exist on a construction site as well as off-site; for example, a creek running through a site.
- c. Other dewatering treatment or disposal options may include:
 - i. Infiltration
 - ii. Transport off-site in a vehicle, such as a vacuum flush truck, for legal disposal in a manner that does not pollute state waters.
 - iii. Ecology-approved on-site chemical treatment or other suitable treatment technologies (See S9.D.9.i, regarding chemical treatment written authorization).
 - iv. Sanitary or combined sewer discharge with local sewer district approval, if there is no other option.
 - v. Use of a sedimentation bag with discharge to a ditch or swale for small volumes of localized dewatering.
- d. Permittees must handle highly turbid or contaminated dewatering water separately from stormwater.

11. Maintain BMPs

- a. Permittees must maintain and repair all temporary and permanent erosion and sediment control BMPs as needed to assure continued performance of their intended function in accordance with BMP specifications.
- b. Permittees must remove all temporary erosion and sediment control BMPs within 30 days after achieving final site stabilization or after the temporary BMPs are no longer needed.

12. Manage the Project

- a. Phase development projects to the maximum degree practicable and take into account seasonal work limitations.
- b. Inspect, maintain and repair all BMPs as needed to assure continued performance of their intended function. Conduct site inspections and monitoring in accordance with Special Condition S4.
- c. Maintain, update, and implement the SWPPP in accordance with Special Conditions S3, S4, and S9.

13. Protect Infiltration BMPs

Permittees must protect existing and proposed infiltration BMPs during construction. The primary purpose of on-site Stormwater Management (often referred to as low impact development, or LID) is to reduce the disruption of the natural site hydrology through infiltration. LID BMPs are permanent facilities.

- a. Permittees must protect all LID BMPs (including, but not limited to, Bioretention and Rain Garden facilities) from sedimentation through installation and maintenance of erosion and sediment control BMPs on portions of the site that drain into the infiltration BMPs. Restore the BMPs to their fully functioning condition if they accumulate sediment during construction. Restoring the BMP must include removal of sediment and any sediment-laden soils within the BMP and replacing the removed soils with soils meeting the design specification.
- b. Permittees must maintain the infiltration capabilities of infiltration BMPs by protecting against compaction by construction equipment and foot traffic. Protect completed lawn and landscaped areas from compaction due to construction equipment.
- c. Permittees must control erosion and avoid introducing sediment from surrounding land uses onto permeable pavements. Do not allow muddy construction equipment on the base material or pavement. Do not allow sediment-laden runoff onto permeable pavements or base materials.
- d. Permittees must clean permeable pavements fouled with sediments or no longer passing an initial infiltration test using local stormwater manual methodology or the manufacturer's procedures.

- e. Permittees must keep all heavy equipment off existing soils under infiltration BMPs that have been excavated to final grade to retain the infiltration rate of the soils.

E. SWPPP – Map Contents and Requirements

The Permittee's SWPPP must also include a vicinity map or general location map (for example, a USGS quadrangle map, a portion of a county or city map, or other appropriate map) with enough detail to identify the location of the construction site and receiving waters within one mile of the site.

The SWPPP must also include a legible site map (or maps) showing the entire construction site. The following features must be identified, unless not applicable due to site conditions.

1. The direction of north, property lines, and existing structures and roads.
2. Cut and fill slopes indicating the top and bottom of slope catch lines.
3. Approximate slopes, contours, and direction of stormwater flow before and after major grading activities.
4. Areas of soil disturbance and areas that will not be disturbed.
5. Locations of structural and nonstructural controls (BMPs) identified in the SWPPP.
6. Locations of off-site material, stockpiles, waste storage, borrow areas, and vehicle/equipment storage areas.
7. Locations of all surface water bodies, including wetlands.
8. Locations where stormwater or non-stormwater discharges off-site and/or to a surface waterbody, including wetlands.
9. Location of water quality sampling station(s), if sampling is required by state or local permitting authority.
10. Areas where final stabilization has been accomplished and no further construction-phase permit requirements apply.
11. Location or proposed location of infiltration facilities.

S10. NOTICE OF TERMINATION (NOT)

Partial terminations of permit coverage are not authorized.

A. Conditions for an NOT

The site is eligible for final termination of coverage when it has met any of the following conditions:

1. The site has undergone final stabilization, the Permittee has removed all temporary BMPs (except biodegradable BMPs clearly manufactured with the intention for the material to be left in place and not interfere with maintenance or land use), and all stormwater discharges associated with construction activity have been eliminated; or
2. All portions of the site that have not undergone final stabilization per Special Condition S10.A.1 have been sold and/or transferred (per Special Condition S2.A), and the Permittee no longer has operational control of the construction activity; or
3. For residential construction only, the Permittee has completed temporary stabilization, and the homeowners have taken possession of the residences.

B. Process for Terminating

When the site is eligible for termination, the Permittee must submit a complete and accurate Notice of Termination (NOT) form, signed in accordance with General Condition G2, to:

Department of Ecology
Water Quality Program - Permit Fee Unit
PO Box 47600
Olympia, WA 98504-7696

When an electronic termination form is available, the Permittee may choose to submit a complete and accurate Notice of Termination (NOT) form through the Water Quality Permitting Portal rather than mailing a hardcopy as noted above.

The termination is effective on the 31st **Calendar Day** following the date Ecology receives a complete NOT form, unless Ecology notifies the Permittee that termination request is denied because the Permittee has not met the eligibility requirements in Special Condition S10.A.

Permittees are required to comply with all conditions and effluent limitations in the permit until the permit has been terminated.

Permittees transferring the property to a new property owner or operator/Permittee are required to complete and submit the Notice of Transfer form to Ecology, but are not required to submit a Notice of Termination form for this type of transaction.

Note: When site conditions cause a delay in Ecology's inspection, the effective date of the NOT will be back dated to the 31st day following submittal, if the site inspection verifies that the site is eligible for termination

If Ecology notifies the Permittee that termination request is denied because the Permittee has not met the eligibility requirements in Special Condition S10.A, the Permittee remains under permit coverage and must continue to comply with all permit conditions.

GENERAL CONDITIONS

G1. DISCHARGE VIOLATIONS

All discharges and activities authorized by this general permit must be consistent with the terms and conditions of this general permit. Any discharge of any pollutant more frequent than or at a level in excess of that identified and authorized by the general permit must constitute a violation of the terms and conditions of this permit.

G2. SIGNATORY REQUIREMENTS

- A. All permit applications (including NOIs, NOTs, and Transfer of Coverage forms) signed and certified:
1. In the case of corporations, by a responsible corporate officer.
 2. In the case of a partnership, by a general partner of a partnership.
 3. In the case of sole proprietorship, by the proprietor.
 4. In the case of a municipal, state, or other public facility, by either a principal executive officer or ranking elected official.
- B. All reports required by this permit and other information requested by Ecology must be signed by a person described above or by a duly authorized representative of that person. A person is a duly authorized representative only if:
1. The authorization is made in writing by a person described above and submitted to Ecology.
 2. The authorization specifies either an individual or a position having responsibility for the overall operation of the regulated facility, such as the position of plant manager, superintendent, position of equivalent responsibility, or an individual or position having overall responsibility for environmental matters.
- C. Changes to authorization. If an authorization under paragraph G2.B.2 above is no longer accurate because a different individual or position has responsibility for the overall operation of the facility, a new authorization satisfying the requirements of paragraph G2.B.2 above must be submitted to Ecology prior to or together with any reports, information, or applications to be signed by an authorized representative.

D. Certification. Any person signing a document under this section must make the following certification:

“I certify under penalty of law, that this document and all attachments were prepared under my direction or supervision in accordance with a system designed to assure that qualified personnel properly gathered and evaluated the information submitted. Based on my inquiry of the person or persons who manage the system, or those persons directly responsible for gathering information, the information submitted is, to the best of my knowledge and belief, true, accurate, and complete. I am aware that there are significant penalties for submitting false information, including the possibility of fine and imprisonment for knowing violations.”

G3. RIGHT OF INSPECTION AND ENTRY

The Permittee must allow an authorized representative of Ecology, upon the presentation of credentials and such other documents as may be required by law:

- A. To enter upon the premises where a discharge is located or where any records are kept under the terms and conditions of this permit.
- B. To have access to and copy, at reasonable times and at reasonable cost, any records required to be kept under the terms and conditions of this permit.
- C. To inspect, at reasonable times, any facilities, equipment (including monitoring and control equipment), practices, methods, or operations regulated or required under this permit.
- D. To sample or monitor, at reasonable times, any substances or parameters at any location for purposes of assuring permit compliance or as otherwise authorized by the Clean Water Act.

G4. GENERAL PERMIT MODIFICATION AND REVOCATION

This permit may be modified, revoked and reissued, or terminated in accordance with the provisions of Chapter 173-226 WAC. Grounds for modification, revocation and reissuance, or termination include, but are not limited to, the following:

- A. When a change occurs in the technology or practices for control or abatement of pollutants applicable to the category of dischargers covered under this permit.
- B. When effluent limitation guidelines or standards are promulgated pursuant to the CWA or Chapter 90.48 RCW, for the category of dischargers covered under this permit.
- C. When a water quality management plan containing requirements applicable to the category of dischargers covered under this permit is approved, or
- D. When information is obtained that indicates cumulative effects on the environment from dischargers covered under this permit are unacceptable.

G5. REVOCATION OF COVERAGE UNDER THE PERMIT

Pursuant to Chapter 43.21B RCW and Chapter 173-226 WAC, the Director may terminate coverage for any discharger under this permit for cause. Cases where coverage may be terminated include, but are not limited to, the following:

- A. Violation of any term or condition of this permit.
- B. Obtaining coverage under this permit by misrepresentation or failure to disclose fully all relevant facts.
- C. A change in any condition that requires either a temporary or permanent reduction or elimination of the permitted discharge.
- D. Failure or refusal of the Permittee to allow entry as required in RCW 90.48.090.
- E. A determination that the permitted activity endangers human health or the environment, or contributes to water quality standards violations.
- F. Nonpayment of permit fees or penalties assessed pursuant to RCW 90.48.465 and Chapter 173-224 WAC.
- G. Failure of the Permittee to satisfy the public notice requirements of WAC 173-226-130(5), when applicable.

Ecology may require any discharger under this permit to apply for and obtain coverage under an individual permit or another more specific general permit.

Permittees who have their coverage revoked for cause according to WAC 173-226-240 may request temporary coverage under this permit during the time an individual permit is being developed, provided the request is made within ninety (90) days from the time of revocation and is submitted along with a complete individual permit application form.

G6. REPORTING A CAUSE FOR MODIFICATION

The Permittee must submit a new application, or a supplement to the previous application, whenever a material change to the construction activity or in the quantity or type of discharge is anticipated which is not specifically authorized by this permit. This application must be submitted at least sixty (60) days prior to any proposed changes. Filing a request for a permit modification, revocation and reissuance, or termination, or a notification of planned changes or anticipated noncompliance does not relieve the Permittee of the duty to comply with the existing permit until it is modified or reissued.

G7. COMPLIANCE WITH OTHER LAWS AND STATUTES

Nothing in this permit will be construed as excusing the Permittee from compliance with any applicable federal, state, or local statutes, ordinances, or regulations.

G8. DUTY TO REAPPLY

The Permittee must apply for permit renewal at least 180 days prior to the specified expiration date of this permit. The Permittee must reapply using the electronic application form (NOI) available on Ecology's website. Permittees unable to submit electronically (for example, those who do not have an internet connection) must contact Ecology to request a waiver and obtain instructions on how to obtain a paper NOI.

Department of Ecology
Water Quality Program - Construction Stormwater
PO Box 47696
Olympia, WA 98504-7696

G9. REMOVED SUBSTANCE

The Permittee must not re-suspend or reintroduce collected screenings, grit, solids, sludges, filter backwash, or other pollutants removed in the course of treatment or control of stormwater to the final effluent stream for discharge to state waters.

G10. DUTY TO PROVIDE INFORMATION

The Permittee must submit to Ecology, within a reasonable time, all information that Ecology may request to determine whether cause exists for modifying, revoking and reissuing, or terminating this permit or to determine compliance with this permit. The Permittee must also submit to Ecology, upon request, copies of records required to be kept by this permit [40 CFR 122.41(h)].

G11. OTHER REQUIREMENTS OF 40 CFR

All other requirements of 40 CFR 122.41 and 122.42 are incorporated in this permit by reference.

G12. ADDITIONAL MONITORING

Ecology may establish specific monitoring requirements in addition to those contained in this permit by administrative order or permit modification.

G13. PENALTIES FOR VIOLATING PERMIT CONDITIONS

Any person who is found guilty of willfully violating the terms and conditions of this permit shall be deemed guilty of a crime, and upon conviction thereof shall be punished by a fine of up to ten thousand dollars (\$10,000) and costs of prosecution, or by imprisonment at the discretion of the court. Each day upon which a willful violation occurs may be deemed a separate and additional violation.

Any person who violates the terms and conditions of a waste discharge permit shall incur, in addition to any other penalty as provided by law, a civil penalty in the amount of up to ten

thousand dollars (\$10,000) for every such violation. Each and every such violation shall be a separate and distinct offense, and in case of a continuing violation, every day's continuance shall be deemed to be a separate and distinct violation.

G14. UPSET

Definition – "Upset" means an exceptional incident in which there is unintentional and temporary noncompliance with technology-based permit effluent limitations because of factors beyond the reasonable control of the Permittee. An upset does not include noncompliance to the extent caused by operational error, improperly designed treatment facilities, inadequate treatment facilities, lack of preventive maintenance, or careless or improper operation.

An upset constitutes an affirmative defense to an action brought for noncompliance with such technology-based permit effluent limitations if the requirements of the following paragraph are met.

A Permittee who wishes to establish the affirmative defense of upset must demonstrate, through properly signed, contemporaneous operating logs or other relevant evidence that:

1. an upset occurred and that the Permittee can identify the cause(s) of the upset;
2. the permitted facility was being properly operated at the time of the upset;
3. the Permittee submitted notice of the upset as required in Special Condition S5.F, and;
4. the Permittee complied with any remedial measures required under this permit.

In any enforcement proceeding, the Permittee seeking to establish the occurrence of an upset has the burden of proof.

G15. PROPERTY RIGHTS

This permit does not convey any property rights of any sort, or any exclusive privilege.

G16. DUTY TO COMPLY

The Permittee must comply with all conditions of this permit. Any permit noncompliance constitutes a violation of the Clean Water Act and is grounds for enforcement action; for permit termination, revocation and reissuance, or modification; or denial of a permit renewal application.

G17. TOXIC POLLUTANTS

The Permittee must comply with effluent standards or prohibitions established under Section 307(a) of the Clean Water Act for toxic pollutants within the time provided in the regulations that establish those standards or prohibitions, even if this permit has not yet been modified to incorporate the requirement.

G18. PENALTIES FOR TAMPERING

The Clean Water Act provides that any person who falsifies, tampers with, or knowingly renders inaccurate any monitoring device or method required to be maintained under this permit shall, upon conviction, be punished by a fine of not more than \$10,000 per violation, or by imprisonment for not more than two years per violation, or by both. If a conviction of a person is for a violation committed after a first conviction of such person under this condition, punishment shall be a fine of not more than \$20,000 per day of violation, or imprisonment of not more than four (4) years, or both.

G19. REPORTING PLANNED CHANGES

The Permittee must, as soon as possible, give notice to Ecology of planned physical alterations, modifications or additions to the permitted construction activity. The Permittee should be aware that, depending on the nature and size of the changes to the original permit, a new public notice and other permit process requirements may be required. Changes in activities that require reporting to Ecology include those that will result in:

- A. The permitted facility being determined to be a new source pursuant to 40 CFR 122.29(b).
- B. A significant change in the nature or an increase in quantity of pollutants discharged, including but not limited to: a 20% or greater increase in acreage disturbed by construction activity.
- C. A change in or addition of surface water(s) receiving stormwater or non-stormwater from the construction activity.
- D. A change in the construction plans and/or activity that affects the Permittee's monitoring requirements in Special Condition S4.

Following such notice, permit coverage may be modified, or revoked and reissued pursuant to 40 CFR 122.62(a) to specify and limit any pollutants not previously limited. Until such modification is effective, any new or increased discharge in excess of permit limits or not specifically authorized by this permit constitutes a violation.

G20. REPORTING OTHER INFORMATION

Where the Permittee becomes aware that it failed to submit any relevant facts in a permit application, or submitted incorrect information in a permit application or in any report to Ecology, it must promptly submit such facts or information.

G21. REPORTING ANTICIPATED NON-COMPLIANCE

The Permittee must give advance notice to Ecology by submission of a new application or supplement thereto at least forty-five (45) days prior to commencement of such discharges, of any facility expansions, production increases, or other planned changes, such as process modifications, in the permitted facility or activity which may result in noncompliance with permit limits or conditions. Any maintenance of facilities, which might necessitate unavoidable interruption of operation and degradation of effluent quality, must be

scheduled during non-critical water quality periods and carried out in a manner approved by Ecology.

G22. REQUESTS TO BE EXCLUDED FROM COVERAGE UNDER THE PERMIT

Any discharger authorized by this permit may request to be excluded from coverage under the general permit by applying for an individual permit. The discharger must submit to the Director an application as described in WAC 173-220-040 or WAC 173-216-070, whichever is applicable, with reasons supporting the request. These reasons will fully document how an individual permit will apply to the applicant in a way that the general permit cannot. Ecology may make specific requests for information to support the request. The Director will either issue an individual permit or deny the request with a statement explaining the reason for the denial. When an individual permit is issued to a discharger otherwise subject to the construction stormwater general permit, the applicability of the construction stormwater general permit to that Permittee is automatically terminated on the effective date of the individual permit.

G23. APPEALS

- A. The terms and conditions of this general permit, as they apply to the appropriate class of dischargers, are subject to appeal by any person within 30 days of issuance of this general permit, in accordance with Chapter 43.21B RCW, and Chapter 173-226 WAC.
- B. The terms and conditions of this general permit, as they apply to an individual discharger, are appealable in accordance with Chapter 43.21B RCW within 30 days of the effective date of coverage of that discharger. Consideration of an appeal of general permit coverage of an individual discharger is limited to the general permit's applicability or non-applicability to that individual discharger.
- C. The appeal of general permit coverage of an individual discharger does not affect any other dischargers covered under this general permit. If the terms and conditions of this general permit are found to be inapplicable to any individual discharger(s), the matter shall be remanded to Ecology for consideration of issuance of an individual permit or permits.

G24. SEVERABILITY

The provisions of this permit are severable, and if any provision of this permit, or application of any provision of this permit to any circumstance, is held invalid, the application of such provision to other circumstances, and the remainder of this permit shall not be affected thereby.

G25. BYPASS PROHIBITED

A. Bypass Procedures

Bypass, which is the intentional diversion of waste streams from any portion of a treatment facility, is prohibited for stormwater events below the design criteria for stormwater management. Ecology may take enforcement action against a Permittee for bypass unless one of the following circumstances (1, 2, 3 or 4) is applicable.

1. Bypass of stormwater is consistent with the design criteria and part of an approved management practice in the applicable stormwater management manual.
2. Bypass for essential maintenance without the potential to cause violation of permit limits or conditions.

Bypass is authorized if it is for essential maintenance and does not have the potential to cause violations of limitations or other conditions of this permit, or adversely impact public health.

3. Bypass of stormwater is unavoidable, unanticipated, and results in noncompliance of this permit.

This bypass is permitted only if:

- a. Bypass is unavoidable to prevent loss of life, personal injury, or severe property damage. "Severe property damage" means substantial physical damage to property, damage to the treatment facilities which would cause them to become inoperable, or substantial and permanent loss of natural resources which can reasonably be expected to occur in the absence of a bypass.
 - b. There are no feasible alternatives to the bypass, such as the use of auxiliary treatment facilities, retention of untreated wastes, maintenance during normal periods of equipment downtime (but not if adequate backup equipment should have been installed in the exercise of reasonable engineering judgment to prevent a bypass which occurred during normal periods of equipment downtime or preventative maintenance), or transport of untreated wastes to another treatment facility.
 - c. Ecology is properly notified of the bypass as required in Special Condition S5.F of this permit.
4. A planned action that would cause bypass of stormwater and has the potential to result in noncompliance of this permit during a storm event.

The Permittee must notify Ecology at least thirty (30) days before the planned date of bypass. The notice must contain:

- a. A description of the bypass and its cause
- b. An analysis of all known alternatives which would eliminate, reduce, or mitigate the need for bypassing.

- c. A cost-effectiveness analysis of alternatives including comparative resource damage assessment.
 - d. The minimum and maximum duration of bypass under each alternative.
 - e. A recommendation as to the preferred alternative for conducting the bypass.
 - f. The projected date of bypass initiation.
 - g. A statement of compliance with SEPA.
 - h. A request for modification of water quality standards as provided for in WAC 173-201A-110, if an exceedance of any water quality standard is anticipated.
 - i. Steps taken or planned to reduce, eliminate, and prevent reoccurrence of the bypass.
5. For probable construction bypasses, the need to bypass is to be identified as early in the planning process as possible. The analysis required above must be considered during preparation of the Stormwater Pollution Prevention Plan (SWPPP) and must be included to the extent practical. In cases where the probable need to bypass is determined early, continued analysis is necessary up to and including the construction period in an effort to minimize or eliminate the bypass.

Ecology will consider the following before issuing an administrative order for this type of bypass:

- a. If the bypass is necessary to perform construction or maintenance-related activities essential to meet the requirements of this permit.
- b. If there are feasible alternatives to bypass, such as the use of auxiliary treatment facilities, retention of untreated wastes, stopping production, maintenance during normal periods of equipment down time, or transport of untreated wastes to another treatment facility.
- c. If the bypass is planned and scheduled to minimize adverse effects on the public and the environment.

After consideration of the above and the adverse effects of the proposed bypass and any other relevant factors, Ecology will approve, conditionally approve, or deny the request. The public must be notified and given an opportunity to comment on bypass incidents of significant duration, to the extent feasible. Approval of a request to bypass will be by administrative order issued by Ecology under RCW 90.48.120.

B. Duty to Mitigate

The Permittee is required to take all reasonable steps to minimize or prevent any discharge or sludge use or disposal in violation of this permit that has a reasonable likelihood of adversely

affecting human health or the environment.

APPENDIX A – DEFINITIONS

AKART is an acronym for “All Known, Available, and Reasonable methods of prevention, control, and Treatment.” AKART represents the most current methodology that can be reasonably required for preventing, controlling, or abating the pollutants and controlling pollution associated with a discharge.

Applicable TMDL means a TMDL for turbidity, fine sediment, high pH, or phosphorus, which was completed and approved by EPA before January 1, 2021, or before the date the operator’s complete permit application is received by Ecology, whichever is later. TMDLs completed after a complete permit application is received by Ecology become applicable to the Permittee only if they are imposed through an administrative order by Ecology, or through a modification of permit coverage.

Applicant means an operator seeking coverage under this permit.

Benchmark means a pollutant concentration used as a permit threshold, below which a pollutant is considered unlikely to cause a water quality violation, and above which it may. When pollutant concentrations exceed benchmarks, corrective action requirements take effect. Benchmark values are not water quality standards and are not numeric effluent limitations; they are indicator values.

Best Management Practices (BMPs) means schedules of activities, prohibitions of practices, maintenance procedures, and other physical, structural and/or managerial practices to prevent or reduce the pollution of waters of the State. BMPs include treatment systems, operating procedures, and practices to control stormwater associated with construction activity, spillage or leaks, sludge or waste disposal, or drainage from raw material storage.

Buffer means an area designated by a local jurisdiction that is contiguous to and intended to protect a sensitive area.

Bypass means the intentional diversion of waste streams from any portion of a treatment facility.

Calendar Day means a period of 24 consecutive hours starting at 12:00 midnight and ending the following 12:00 midnight.

Calendar Week (same as **Week**) means a period of seven consecutive days starting at 12:01 a.m. (0:01 hours) on Sunday.

Certified Erosion and Sediment Control Lead (CESCL) means a person who has current certification through an approved erosion and sediment control training program that meets the minimum training standards established by Ecology (See BMP C160 in the SWMM).

Chemical Treatment means the addition of chemicals to stormwater and/or authorized non-stormwater prior to filtration and discharge to surface waters.

Clean Water Act (CWA) means the Federal Water Pollution Control Act enacted by Public Law 92-500, as amended by Public Laws 95-217, 95-576, 96-483, and 97-117; USC 1251 et seq.

Combined Sewer means a sewer which has been designed to serve as a sanitary sewer and a storm sewer, and into which inflow is allowed by local ordinance.

Common Plan of Development or Sale means a site where multiple separate and distinct construction activities may be taking place at different times on different schedules and/or by different contractors, but still under a single plan. Examples include: 1) phased projects and projects with multiple filings or lots, even if the separate phases or filings/lots will be constructed under separate contract or by separate owners (e.g., a development where lots are sold to separate builders); 2) a development plan that may be phased over multiple years, but is still under a consistent plan for long-term development; 3) projects in a contiguous area that may be unrelated but still under the same contract, such as construction of a building extension and a new parking lot at the same facility; and 4) linear projects such as roads, pipelines, or utilities. If the project is part of a common plan of development or sale, the disturbed area of the entire plan must be used in determining permit requirements.

Composite Sample means a mixture of grab samples collected at the same sampling point at different times, formed either by continuous sampling or by mixing discrete samples. May be "time-composite" (collected at constant time intervals) or "flow-proportional" (collected either as a constant sample volume at time intervals proportional to stream flow, or collected by increasing the volume of each aliquot as the flow increases while maintaining a constant time interval between the aliquots).

Concrete Wastewater means any water used in the production, pouring and/or clean-up of concrete or concrete products, and any water used to cut, grind, wash, or otherwise modify concrete or concrete products. Examples include water used for or resulting from concrete truck/mixer/pumper/tool/chute rinsing or washing, concrete saw cutting and surfacing (sawing, coring, grinding, roughening, hydro-demolition, bridge and road surfacing). When stormwater comingles with concrete wastewater, the resulting water is considered concrete wastewater and must be managed to prevent discharge to waters of the State, including groundwater.

Construction Activity means land disturbing operations including clearing, grading, excavation, and other soil disturbing activities which disturbs the surface of the land. Such activities may include road construction, construction of residential houses, office buildings, or industrial buildings, site preparation, soil compaction, movement and stockpiling of topsoils, and demolition activity.

Construction Support Activity means on or off-site acreage that will be disturbed as a direct result of the construction project and will discharge stormwater. Construction-support activities may include, but are not limited to: equipment staging, borrow pit, material storage areas, dump areas, haul roads, construction roads, side-cast areas, on-site portable rock crusher, staging yards, parking areas, off-site construction support activities and all other soil disturbing.

Contaminant means any hazardous substance that does not occur naturally or occurs at greater than natural background levels. See definition of "hazardous substance" and WAC 173-340-200.

Contaminated soil means soil which contains contaminants, pollutants, or hazardous substances that do not occur naturally or occur at levels greater than natural background.

Contaminated groundwater means groundwater which contains contaminants, pollutants, or hazardous substances that do not occur naturally or occur at levels greater than natural background.

Date of Receipt – This is defined in RCW 43.21B.001(2) as five business days after the date of mailing; or the date of actual receipt, when the actual receipt date can be proven by a preponderance of the evidence. The recipient's sworn affidavit or declaration indicating the date of receipt, which is unchallenged by the agency, constitutes sufficient evidence of actual receipt. The date of actual receipt, however, may not exceed forty-five days from the date of mailing.

Days (compliance period interval) - When the compliance period is stated in days: (A) exclude the day of the event that triggers the period; (B) count every day, including intermediate Saturdays, Sundays, and legal holidays; and (C) include the last day of the period, but if the last day is a Saturday, Sunday, or legal holiday, the period continues to run until the end of the next day that is not a Saturday, Sunday, or legal holiday.

Demonstrably Equivalent means that the technical basis for the selection of all stormwater BMPs is documented within a SWPPP, including:

1. The method and reasons for choosing the stormwater BMPs selected.
2. The pollutant removal performance expected from the BMPs selected.
3. The technical basis supporting the performance claims for the BMPs selected, including any available data concerning field performance of the BMPs selected.
4. An assessment of how the selected BMPs will comply with state water quality standards.
5. An assessment of how the selected BMPs will satisfy both applicable federal technology-based treatment requirements and state requirements to use all known, available, and reasonable methods of prevention, control, and treatment (AKART).

Department means the Washington State Department of Ecology.

Detention means the temporary storage of stormwater to improve quality and/or to reduce the mass flow rate of discharge.

Dewatering means the act of pumping groundwater or stormwater away from an active construction site.

Director means the Director of the Washington State Department of Ecology or his/her authorized representative.

Discharger means an owner or operator of any facility or activity subject to regulation under Chapter 90.48 RCW or the Federal Clean Water Act.

Domestic Wastewater means water carrying human wastes, including kitchen, bath, and laundry wastes from residences, buildings, industrial establishments, or other places, together with such groundwater infiltration or surface waters as may be present.

Ecology means the Washington State Department of Ecology.

Engineered Soils means the use of soil amendments including, but not limited to, Portland cement treated base (CTB), cement kiln dust (CKD), or fly ash to achieve certain desirable soil characteristics.

Equivalent BMPs means operational, source control, treatment, or innovative BMPs which result in equal or better quality of stormwater discharge to surface water or to groundwater than BMPs selected from the SWMM.

Erosion means the wearing away of the land surface by running water, wind, ice, or other geological agents, including such processes as gravitational creep.

Erosion and Sediment Control BMPs means BMPs intended to prevent erosion and sedimentation, such as preserving natural vegetation, seeding, mulching and matting, plastic covering, filter fences, sediment traps, and ponds. Erosion and sediment control BMPs are synonymous with stabilization and structural BMPs.

Federal Operator is an entity that meets the definition of “Operator” in this permit and is either any department, agency or instrumentality of the executive, legislative, and judicial branches of the Federal government of the United States, or another entity, such as a private contractor, performing construction activity for any such department, agency, or instrumentality.

Final Stabilization (same as **fully stabilized** or **full stabilization**) means the completion of all soil disturbing activities at the site and the establishment of permanent vegetative cover, or equivalent permanent stabilization measures (such as pavement, riprap, gabions, or geotextiles) which will prevent erosion. See the applicable Stormwater Management Manual for more information on vegetative cover expectations and equivalent permanent stabilization measures.

Groundwater means water in a saturated zone or stratum beneath the land surface or a surface waterbody.

Hazardous Substance means any dangerous or extremely hazardous waste as defined in RCW 70.105.010 (5) and (6), or any dangerous or extremely dangerous waste as designated by rule under chapter 70.105 RCW; any hazardous substance as defined in RCW 70.105.010(14) or any hazardous substance as defined by rule under chapter 70.105 RCW; any substance that, on the effective date of this section, is a hazardous substance under section 101(14) of the federal cleanup law, 42U.S.C., Sec. 9601(14); petroleum or petroleum products; and any substance or category of substances, including solid waste decomposition products, determined by the director by rule to present a threat to human health or the environment if released into the environment. The term hazardous substance does not include any of the following when contained in an underground storage tank from which there is not a release: crude oil or any fraction thereof or petroleum, if the tank is in compliance with all applicable federal, state, and local law.

Injection Well means a well that is used for the subsurface emplacement of fluids. (See Well.)

Jurisdiction means a political unit such as a city, town or county; incorporated for local self-government.

National Pollutant Discharge Elimination System (NPDES) means the national program for issuing, modifying, revoking and reissuing, terminating, monitoring, and enforcing permits, and imposing and enforcing pretreatment requirements, under sections 307, 402, 318, and 405 of the Federal Clean Water Act, for the discharge of pollutants to surface waters of the State from point sources. These permits are referred to as NPDES permits and, in Washington State, are administered by the Washington State Department of Ecology.

Notice of Intent (NOI) means the application for, or a request for coverage under this general permit pursuant to WAC 173-226-200.

Notice of Termination (NOT) means a request for termination of coverage under this general permit as specified by Special Condition S10 of this permit.

Operational Hours means when work is happening on site related to the project and project support activities, whether the activities are scheduled or unscheduled.

Operator means any party associated with a construction project that meets either of the following two criteria:

- The party has operational control over construction plans and specifications, including the ability to make modifications to those plans and specifications; or
- The party has day-to-day operational control of those activities at a project that are necessary to ensure compliance with a SWPPP for the site or other permit conditions (e.g., they are authorized to direct workers at a site to carry out activities required by the SWPPP or comply with other permit conditions).

Permittee means individual or entity that receives notice of coverage under this general permit.

pH means a liquid's measure of acidity or alkalinity. A pH of 7 is defined as neutral. Large variations above or below this value are considered harmful to most aquatic life.

pH Monitoring Period means the time period in which the pH of stormwater runoff from a site must be tested a minimum of once every seven days to determine if stormwater pH is between 6.5 and 8.5.

Point Source means any discernible, confined, and discrete conveyance, including but not limited to, any pipe, ditch, channel, tunnel, conduit, well, discrete fissure, and container from which pollutants are or may be discharged to surface waters of the State. This term does not include return flows from irrigated agriculture. (See the Fact Sheet for further explanation)

Pollutant means dredged spoil, solid waste, incinerator residue, filter backwash, sewage, garbage, domestic sewage sludge (biosolids), munitions, chemical wastes, biological materials, radioactive materials, heat, wrecked or discarded equipment, rock, sand, cellar dirt, and industrial, municipal, and agricultural waste. This term does not include sewage

from vessels within the meaning of section 312 of the CWA, nor does it include dredged or fill material discharged in accordance with a permit issued under section 404 of the CWA.

Pollution means contamination or other alteration of the physical, chemical, or biological properties of waters of the State; including change in temperature, taste, color, turbidity, or odor of the waters; or such discharge of any liquid, gaseous, solid, radioactive or other substance into any waters of the State as will or is likely to create a nuisance or render such waters harmful, detrimental or injurious to the public health, safety or welfare; or to domestic, commercial, industrial, agricultural, recreational, or other legitimate beneficial uses; or to livestock, wild animals, birds, fish or other aquatic life.

Process Wastewater means any non-stormwater which, during manufacturing or processing, comes into direct contact with or results from the production or use of any raw material, intermediate product, finished product, byproduct, or waste product. If stormwater commingles with process wastewater, the commingled water is considered process wastewater.

Receiving Water means the waterbody at the point of discharge. If the discharge is to a storm sewer system, either surface or subsurface, the receiving water is the waterbody to which the storm system discharges. Systems designed primarily for other purposes such as for groundwater drainage, redirecting stream natural flows, or for conveyance of irrigation water/return flows that coincidentally convey stormwater are considered the receiving water.

Representative means a stormwater or wastewater sample which represents the flow and characteristics of the discharge. Representative samples may be a grab sample, a time-proportionate composite sample, or a flow proportionate sample. Ecology's Construction Stormwater Monitoring Manual provides guidance on representative sampling.

Responsible Corporate Officer for the purpose of signatory authority means: (i) a president, secretary, treasurer, or vice-president of the corporation in charge of a principal business function, or any other person who performs similar policy- or decision-making functions for the corporation, or (ii) the manager of one or more manufacturing, production, or operating facilities, provided, the manager is authorized to make management decisions which govern the operation of the regulated facility including having the explicit or implicit duty of making major capital investment recommendations, and initiating and directing other comprehensive measures to assure long term environmental compliance with environmental laws and regulations; the manager can ensure that the necessary systems are established or actions taken to gather complete and accurate information for permit application requirements; and where authority to sign documents has been assigned or delegated to the manager in accordance with corporate procedures (40 CFR 122.22).

Sanitary Sewer means a sewer which is designed to convey domestic wastewater.

Sediment means the fragmented material that originates from the weathering and erosion of rocks or unconsolidated deposits, and is transported by, suspended in, or deposited by water.

Sedimentation means the depositing or formation of sediment.

Sensitive Area means a waterbody, wetland, stream, aquifer recharge area, or channel migration zone.

SEPA (State Environmental Policy Act) means the Washington State Law, RCW 43.21C.020, intended to prevent or eliminate damage to the environment.

Significant Amount means an amount of a pollutant in a discharge that is amenable to available and reasonable methods of prevention or treatment; or an amount of a pollutant that has a reasonable potential to cause a violation of surface or groundwater quality or sediment management standards.

Significant Concrete Work means greater than 1000 cubic yards placed or poured concrete or recycled concrete used over the life of a project.

Significant Contributor of Pollutants means a facility determined by Ecology to be a contributor of a significant amount(s) of a pollutant(s) to waters of the State of Washington.

Site means the land or water area where any "facility or activity" is physically located or conducted.

Source Control BMPs means physical, structural or mechanical devices or facilities that are intended to prevent pollutants from entering stormwater. A few examples of source control BMPs are erosion control practices, maintenance of stormwater facilities, constructing roofs over storage and working areas, and directing wash water and similar discharges to the sanitary sewer or a dead-end sump.

Stabilization means the application of appropriate BMPs to prevent the erosion of soils, such as, temporary and permanent seeding, vegetative covers, mulching and matting, plastic covering and sodding. See also the definition of Erosion and Sediment Control BMPs.

Storm Drain means any drain which drains directly into a storm sewer system, usually found along roadways or in parking lots.

Storm Sewer System means a means a conveyance, or system of conveyances (including roads with drainage systems, municipal streets, catch basins, curbs, gutters, ditches, manmade channels, or storm drains designed or used for collecting or conveying stormwater. This does not include systems which are part of a combined sewer or Publicly Owned Treatment Works (POTW), as defined at 40 CFR 122.2.

Stormwater means that portion of precipitation that does not naturally percolate into the ground or evaporate, but flows via overland flow, interflow, pipes, and other features of a stormwater drainage system into a defined surface waterbody, or a constructed infiltration facility.

Stormwater Management Manual (SWMM) or Manual means the technical Manual published by Ecology for use by local governments that contain descriptions of and design criteria for BMPs to prevent, control, or treat pollutants in stormwater. There are two manuals, one for Eastern Washington and one for Western Washington.

Stormwater Pollution Prevention Plan (SWPPP) means a documented plan to implement measures to identify, prevent, and control the contamination of point source discharges of stormwater.

Surface Waters of the State includes lakes, rivers, ponds, streams, inland waters, salt waters, and all other surface waters and water courses within the jurisdiction of the state of Washington.

Temporary Stabilization means the exposed ground surface has been covered with appropriate materials to provide temporary stabilization of the surface from water or wind erosion. Materials include, but are not limited to, mulch, riprap, erosion control mats or blankets and temporary cover crops. Seeding alone is not considered stabilization. Temporary stabilization is not a substitute for the more permanent “final stabilization.”

Total Maximum Daily Load (TMDL) means a calculation of the maximum amount of a pollutant that a waterbody can receive and still meet state water quality standards. Percentages of the total maximum daily load are allocated to the various pollutant sources. A TMDL is the sum of the allowable loads of a single pollutant from all contributing point and nonpoint sources. The TMDL calculations must include a "margin of safety" to ensure that the waterbody can be protected in case there are unforeseen events or unknown sources of the pollutant. The calculation must also account for seasonable variation in water quality.

Transfer of Coverage (TOC) means a request for transfer of coverage under this general permit as specified by Special Condition S2.A of this permit.

Treatment BMPs means BMPs that are intended to remove pollutants from stormwater. A few examples of treatment BMPs are detention ponds, oil/water separators, biofiltration, and constructed wetlands.

Transparency means a measurement of water clarity in centimeters (cm), using a 60 cm transparency tube. The transparency tube is used to estimate the relative clarity or transparency of water by noting the depth at which a black and white Secchi disc becomes visible when water is released from a value in the bottom of the tube. A transparency tube is sometimes referred to as a “turbidity tube.”

Turbidity means the clarity of water expressed as nephelometric turbidity units (NTUs) and measured with a calibrated turbidimeter.

Uncontaminated means free from any contaminant. See definition of “contaminant” and WAC 173-340-200.

Upset means an exceptional incident in which there is unintentional and temporary noncompliance with technology-based permit effluent limitations because of factors beyond the reasonable control of the Permittee. An upset does not include noncompliance to the extent caused by operational error, improperly designed treatment facilities, inadequate treatment facilities, lack of preventive maintenance, or careless or improper operation.

Waste Load Allocation (WLA) means the portion of a receiving water’s loading capacity that is allocated to one of its existing or future point sources of pollution. WLAs constitute a type of water quality based effluent limitation (40 CFR 130.2[h]).

Water-Only Based Shaft Drilling is a shaft drilling process that uses water only and no additives are involved in the drilling of shafts for construction of building, road, or bridge foundations.

Water Quality means the chemical, physical, and biological characteristics of water, usually with respect to its suitability for a particular purpose.

Waters of the State includes those waters as defined as "waters of the United States" in 40 CFR Subpart 122.2 within the geographic boundaries of Washington State and "waters of the State" as defined in Chapter 90.48 RCW, which include lakes, rivers, ponds, streams, inland waters, underground waters, salt waters, and all other surface waters and water courses within the jurisdiction of the state of Washington.

Well means a bored, drilled or driven shaft, or dug hole whose depth is greater than the largest surface dimension. (See Injection Well.)

Wheel Wash Wastewater means any water used in, or resulting from the operation of, a tire bath or wheel wash (BMP C106: Wheel Wash), or other structure or practice that uses water to physically remove mud and debris from vehicles leaving a construction site and prevent track-out onto roads. When stormwater comes in contact with wheel wash wastewater, the resulting water is considered wheel wash wastewater and must be managed according to Special Condition S9.D.9.

APPENDIX B – ACRONYMS

AKART	All Known, Available, and Reasonable Methods of Prevention, Control, and Treatment
BMP	Best Management Practice
CESCL	Certified Erosion and Sediment Control Lead
CFR	Code of Federal Regulations
CKD	Cement Kiln Dust
Cm	Centimeters
CPD	Common Plan of Development
CTB	Cement-Treated Base
CWA	Clean Water Act
DMR	Discharge Monitoring Report
EPA	Environmental Protection Agency
ERTS	Environmental Report Tracking System
ESC	Erosion and Sediment Control
FR	Federal Register
LID	Low Impact Development
NOI	Notice of Intent
NOT	Notice of Termination
NPDES	National Pollutant Discharge Elimination System
NTU	Nephelometric Turbidity Unit
RCW	Revised Code of Washington
SEPA	State Environmental Policy Act
SWMM	Stormwater Management Manual
SWPPP	Stormwater Pollution Prevention Plan
TMDL	Total Maximum Daily Load
UIC	Underground Injection Control
USC	United States Code
USEPA	United States Environmental Protection Agency
WAC	Washington Administrative Code
WQ	Water Quality
WWHM	Western Washington Hydrology Model

**APPENDIX F – 303(D) LIST WATERBODIES / TMDL WATERBODIES
INFORMATION**

(N/A)



Construction Stormwater General Permit Proposed New Discharge to an Impaired Waterbody

Ecology will not issue coverage under the Construction Stormwater General Permit (CSWGP) for new discharges to an impaired water body if the discharge will cause or contribute to a violation of water quality standards.

For Ecology to determine whether permit coverage is appropriate, and to assign appropriate monitoring limits to the discharge, the site operator (Permittee) must:

- Complete and sign this form.
- Attach the relevant portions of the site's Stormwater Pollution Prevention Plan (SWPPP) and, if necessary, attach related data and documentation.
- Email a copy of the completed form and attachments to ecyrewqiano@ecy.wa.gov and mail us the signed original form.

Part 1. Site Information		
1a. Site or Project Name:		
1b. Site Address or Location Description:	City:	County:
1c. Impaired Water Body:		
1d. Impairment: <input type="checkbox"/> pH <input type="checkbox"/> Fine Sediment <input type="checkbox"/> Turbidity <input type="checkbox"/> Phosphorus <input type="checkbox"/> Other:		
Part 2. Discharge Certification*		
<p>Select the one option below that most clearly applies to your site. The option must be true for all pollutants for which the water body is impaired. If any pollutant does not meet 2a or 2b, you must complete 2c. You must submit the relevant portions of the SWPPP (Stormwater Pollution Prevention Plan) that support the chosen option. If you have not yet developed the SWPPP, submit relevant documentation to be included in the SWPPP to justify the chosen option. See Section S8 of the CSWGP for sampling requirements applicable to discharges to impaired waterbodies.</p> <p>Go to www.ecology.wa.gov/constructionstormwaterpermit to download the SWPPP template.</p> <p>*If none of the options apply to your site, your site will not be eligible for coverage under the permit.</p>		
<input type="checkbox"/> 2a. The pollutant(s) of concern is/are not on site. I have attached part of the SWPPP that states that this/these pollutant(s) will not be on site. Note: this option typically only applies to pH impairments.		

2b. The pollutant(s) of concern is/are on site but stormwater will not come into contact with the pollutant(s). I have attached part of the SWPPP that states how best management practices will be used to prevent stormwater from transporting pollutants.

2c. The pollutant(s) of concern is/are on site, will be exposed to stormwater, and may be discharged off site. I have attached part of the SWPPP that states how best management practices will be used in order to meet the in-stream water quality criteria for the receiving water body.

Part 3. Signature

3a. *"I certify under penalty of law that this document and all attachments were prepared under my direction or supervision in accordance with a system designed to assure that qualified personnel properly gather and evaluate the information submitted. Based on my inquiry of the person or persons who manage the system or those directly responsible for gathering the information, the information submitted is, to the best of my knowledge and belief, true, accurate, and complete. I am aware that there are significant penalties for submitting false information, including the possibility of fine and imprisonment for knowing violations."*

Printed Name / Company (Operator/Permittee only) Title

Signature of Operator/Permittee* Date

* Signature of Operator/Permittee requirements:

- A. For a corporation: by a responsible corporate officer.
- B. For a partnership or sole proprietorship: by a general partner or the proprietor, respectively.
- C. For a municipality, state, federal, or other public facility: by either a principal executive officer or ranking elected official.

Please sign and email a copy of the completed form and attachments to ecyrewqiano@ecy.wa.gov, then mail this **ORIGINAL** document to the following address:

Department of Ecology
Attn: Water Quality Program, Construction Stormwater
PO Box 47696
Olympia, WA 98504-7696

If you have questions, please contact the appropriate permit administrator based on project location. Contact information can be found at: <https://ecology.wa.gov/Regulations-Permits/Permits-certifications/Stormwater-general-permits/Construction-stormwater-permit#contact>.

To request ADA accommodation including materials in a format for the visually impaired, call the Water Quality Program at 360-407-6600 or visit <https://ecology.wa.gov/accessibility>. People with impaired hearing may call Washington Relay Service at 711. People with speech disability may call TYY at 877-833-6341.

Directions for Completing the Impaired (303(d)-List) Water Body New Discharger Form

Part 1

1a and 1b: Provide site information. This site information must be identical to that on your Notice of Intent (NOI) application form to obtain coverage under the Construction Stormwater General Permit.

1c: Write the name of the 303(d)-listed water body segment(s) to which your site drains or discharges into. Visit <https://ecology.wa.gov/Water-Shorelines/Water-quality/Water-improvement/Assessment-of-state-waters-303d> for more info.

1d: List pollutants (for example, turbidity, fine sediment, phosphorus, etc.) for which the 303(d)-listed water body is impaired. Visit: www.ecology.wa.gov/Water-Shorelines/Water-quality/Water-improvement/Total-Maximum-Daily-Load-process for more info.

Part 2

If your site may discharge to a 303(d)-listed (Category 4 or 5) water body segment, you are required to select one of the three options (2a, 2b, or 2c) most appropriate to your site's situation in order to be eligible for coverage under the permit. Attach to this form excerpts from your SWPPP stating how you will address the impairment at the site. This should include a brief narrative of pollution control methods, sampling protocols etc. See Section S8 of the CSWGP for sampling requirements applicable to discharges to impaired waterbodies.

Option 2a: Choose this option if the pollutant(s) or source of pollutant(s) which may further impact the impairment is/are not present on the site. If the water body is impaired for more than one pollutant, check this box only if NONE of the pollutants are present on site.

Example SWPPP narrative:

- The water body segment is impaired for pH, but there is no known source of pH-impacting material or highly alkaline soil present on the site, significant concrete work will not occur on the site, no recycled concrete or other alkaline material will be used or stored on the site.

Option 2b: Choose this option when stormwater will not be exposed to the pollutant(s) or source of pollutant(s), which may further impact the impairment, and the SWPPP details procedures taken to prevent exposure on site. This statement must be true for all pollutants for which the water body is impaired.

Please provide excerpts from the SWPPP describing the BMPs that will be used to address the impairment(s).

Example SWPPP narrative:

- The water body segment is impaired for phosphorus and high pH. Soil on the site contains phosphorus that may contribute to excessive plant growth, which in turn may cause high pH and low dissolved oxygen levels in water bodies. The SWPPP contains detailed plans to cover all exposed soils (with plastic sheeting, straw mulch, etc.) to prevent stormwater from conveying soil/sediment (and the attached phosphorus) into the water body. Soil stabilization and revegetation will not include the use of phosphorus-containing fertilizers, compost or other products that could cause excess phosphorus or other nutrients to be discharged. In addition, sediment control measures (traps, ponds, silt fence, wattles, etc.) will be installed and maintained to ensure that sediment-laden stormwater is not discharged during the construction activity.
- The waterbody is impaired for turbidity. A primary pollutant of construction stormwater and/or dewatering water is sediment, however, all exposed soils will be stabilized using hydroseed within the approved time period stated in S9.D.5.d of the CSWGP. Additionally, silt fence will be trenched in along the construction boundary to prevent any turbid discharges from leaving

the site. Section S8. of the CSWGP establishes the sampling thresholds for impaired waterbody discharges and exceeding the 25 NTU threshold is a violation of the permit.

- The water body is impaired for pH, and there will be significant concrete use onsite throughout the life of the project. However, any stormwater that comes into contact with pH-impacting material will be captured and contained onsite using a pump and holding tank. It will be monitored and treated for pH and will not be discharged from the site until within the acceptable range (6.5 to 8.5. su). If high pH stormwater comingles with any process water, it will be treated as process water and discharge to a Water of the State will be prevented.

Option 2c: Choose this option when you do not expect the discharge to cause or contribute to an exceedance of a water quality standard.

The conditions of **2c.i** apply for discharges to water bodies without a TMDL and require providing data and other technical information to demonstrate that the discharge will not cause or contribute to a violation of the water quality standards at the point of discharge. This would typically involve pre-construction water quality sampling, or other site-specific investigation(s). You should contact Ecology to discuss site-specific permit requirements. This option should only be pursued if Options 2a or 2b are not applicable to your site.

The conditions of **2c.ii** would only apply if your site discharges to a water body segment with an EPA-approved or EPA-established TMDL. If that is the case, contact your Ecology permit administrator – this person will help you determine whether there is sufficient remaining wasteload allocation based on the TMDL to allow additional construction stormwater discharges and still bring the water body into compliance with the water quality standards. You will need to provide data and other technical information to show that there is sufficient remaining wasteload allocation in the TMDL to allow the construction stormwater discharge.

Additionally, provide excerpts from the SWPPP describing the BMPs you will use to address the impairment(s).

Example SWPPP narrative:

- The receiving water body is impaired for turbidity and fine sediments. Mandatory BMPs (Best Management Practices) and erosion-control practices put in place by the permit will appropriately minimize the turbidity of the stormwater discharges. Phased clearing and grading will be used to limit the area of exposed or unstable soils during construction. Straw mulch will be placed on all exposed areas immediately following completion of grading activities. Erosion control blankets will be secured on all slopes post construction for increased soil stabilization. Additionally, retention ponds will be constructed immediately and will allow for suspended solids to settle out before stormwater is discharged.

Definitions

303(d) List: The term "303(d) list" is the list of impaired waters (stream/river segments, lakes, etc.) that the Clean Water Act requires all states to submit for EPA approval every two years in even-numbered years. The states identify all waters where required pollution controls are not sufficient to attain or maintain applicable water quality standards, and establish priorities for development of "total maximum daily loads," or TMDLs (water cleanup plans), based on the severity of the pollution and the sensitivity of the uses to be made of the waters, among other factors (40C.F.R. §130.7(b)(4)). States then provide a long-term plan for completing TMDLs within 8 to 13 years from first listing.

Impaired (303(d)-Listed) Water Body: Water bodies that do not meet water quality standards and are listed on the 303(d) list (see 303(d) List) <https://ecology.wa.gov/Water-Shorelines/Water-quality/Water-improvement/Assessment-of-state-waters-303d>.

Stormwater Management Manuals (SWMMs) for Eastern and Western Washington: Find additional guidance including descriptions of and design criteria for BMPs to prevent, control, or treat pollutants in stormwater <https://ecology.wa.gov/Regulations-Permits/Guidance-technical-assistance/Stormwater-permittee-guidance-resources/Stormwater-manuals>.

SWPPP: Stormwater pollution prevention plan. The Permittee's SWPPP is required to be maintained and updated on site, and must support the site operator's efforts to implement best management practices (BMPs) to prevent erosion and sedimentation and to identify, reduce, eliminate or prevent stormwater contamination and water pollution from construction activity; to prevent violations of surface water quality, ground water quality, or sediment management standards; and to control peak volumetric flow rates and velocities of stormwater discharges. The SWPPP must include a narrative and drawings. The SWPPP narrative must include documentation to explain and justify the pollution prevention decisions made for the project. (All BMPs must be clearly referenced in the narrative and marked on the drawings.)

TMDL: The TMDL (Total Maximum Daily Load or water cleanup plan) calculates the maximum amount of a pollutant allowed to enter a water body so that the water body will meet water quality standards for that particular pollutant. www.ecology.wa.gov/Water-Shorelines/Water-quality/Water-improvement/Total-Maximum-Daily-Load-process.

APPENDIX G – CONTAMINATED SITE INFORMATION

(N/A)

APPENDIX H – ENGINEERING CALCULATIONS

(N/A)