

These calculations must be on site and made available by the Permittee for all inspections.

MiTek, Inc.
400 Sunrise Ave., Suite 270
Roseville, CA 95661
916.755.3571

Re: 5134298 Bid

The truss drawing(s) referenced below have been prepared by MiTek USA, Inc. under my direct supervision based on the parameters provided by Builders FirstSource (Arlington, WA).

Pages or sheets covered by this seal: R91546194 thru R91546215

My license renewal date for the state of Washington is September 28, 2027.



December 4, 2025

Zhao, Xiaoming

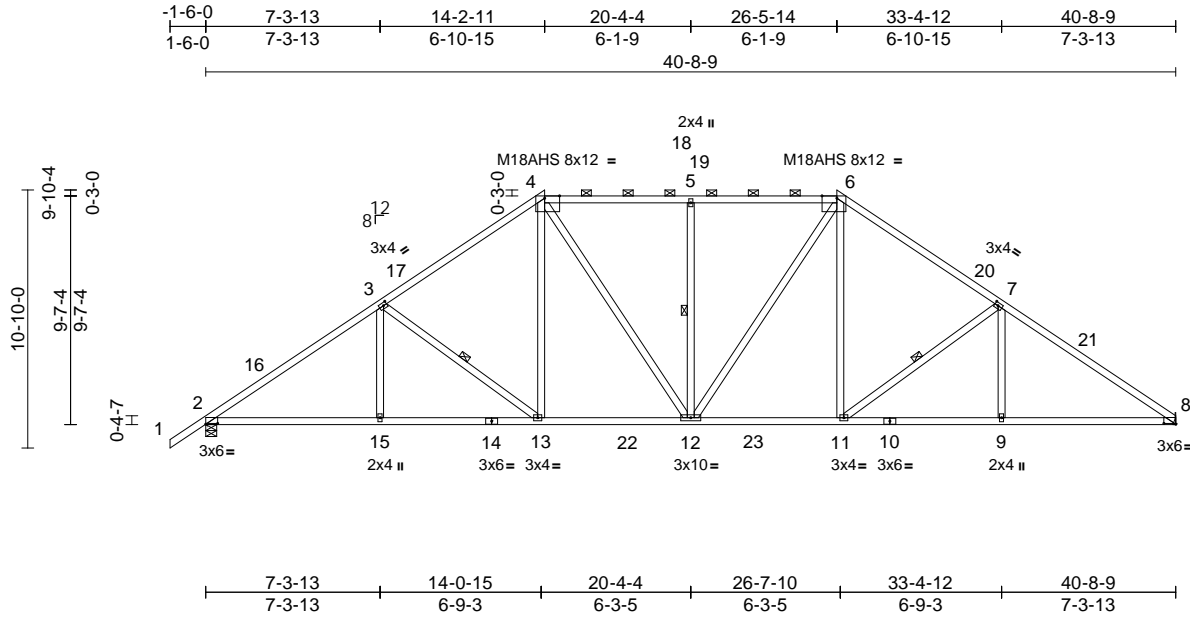
IMPORTANT NOTE: The seal on these truss component designs is a certification that the engineer named is licensed in the jurisdiction(s) identified and that the designs comply with ANSI/TPI 1. These designs are based upon parameters shown (e.g., loads, supports, dimensions, shapes and design codes), which were given to MiTek or TRENCO. Any project specific information included is for MiTek's or TRENCO's customers file reference purpose only, and was not taken into account in the preparation of these designs. MiTek or TRENCO has not independently verified the applicability of the design parameters or the designs for any particular building. Before use, the building designer should verify applicability of design parameters and properly incorporate these designs into the overall building design per ANSI/TPI 1, Chapter 2.

Job 5134298 Bid	Truss A01	Truss Type Piggyback Base	Qty 15	Ply 1	Job Reference (optional)	R91546194
--------------------	--------------	------------------------------	-----------	----------	--------------------------	-----------

Builders FirstSource (Arlington, WA), Arlington, WA - 98223,

Run: 8.83 S Sep 3 2025 Print: 8.830 S Sep 3 2025 MiTek Industries, Inc. Wed Dec 03 13:41:50
ID:ZQ2XB8Rv8wrmFVfY_EA6jAyEKf3-RfC?PsB70Hq3NSgPqnL8w3uITXbGKWrCDoi7J4zJC?f

Page: 1



Scale = 1:96.7

Plate Offsets (X, Y): [2:0-6-0,0-0-6], [3:0-1-12,0-1-8], [4:0-7-8,Edge], [6:0-7-8,Edge], [7:0-1-12,0-1-8], [8:0-6-0,0-0-6]

Loading	(psf)	Spacing	2-0-0	CSI	DEFL	in	(loc)	l/defl	L/d	PLATES	GRIP	
TCLL (roof)	25.0	Plate Grip DOL	1.15	TC	0.85	Vert(LL)	-0.22	11-12	>999	240	M18AHS	145/140
TCDL	7.0	Lumber DOL	1.15	BC	0.88	Vert(CT)	-0.35	11-12	>999	180	MT20	185/148
BCLL	0.0*	Rep Stress Incr	YES	WB	0.25	Horz(CT)	0.15	8	n/a	n/a		
BCDL	10.0	Code	IRC2021/TPI2014	Matrix-SH								Weight: 191 lb FT = 10%

LUMBER

TOP CHORD 2x4 HF No.2
BOT CHORD 2x4 HF No.2
WEBS 2x4 HF No.2

BRACING

TOP CHORD Structural wood sheathing directly applied, except
2-0-0 oc purlins (3-7-6 max.): 4-6.
BOT CHORD Rigid ceiling directly applied or 10-0-0 oc bracing.
WEBS 1 Row at midpt 3-13, 5-12, 7-11

REACTIONS

(size) 2=0-5-8, 8= Mechanical
Max Horiz 2=169 (LC 11)
Max Uplift 2=-74 (LC 12), 8=-49 (LC 13)
Max Grav 2=1894 (LC 2), 8=1801 (LC 2)

FORCES

(lb) - Maximum Compression/Maximum Tension
TOP CHORD 1-2=0/53, 2-3=-2797/81, 3-4=-2262/112, 4-5=-2024/102, 5-6=-2024/102, 6-7=-2278/116, 7-8=-2822/90
BOT CHORD 2-15=-96/2254, 13-15=-96/2254, 12-13=0/1795, 11-12=0/1807, 9-11=0/2280, 8-9=0/2280
WEBS 3-15=0/301, 3-13=-600/129, 4-13=0/613, 4-12=-104/533, 5-12=-502/128, 6-12=-105/516, 6-11=0/641, 7-11=-657/136, 7-9=0/308

NOTES

1) Unbalanced roof live loads have been considered for this design.

- 2) Wind: ASCE 7-16; Vult=110mph (3-second gust) Vasd=87mph; TC DL=4.2psf; BCDL=6.0psf; h=25ft; Cat. II; Exp B; Enclosed; MWFRS (envelope) exterior zone and C-C Exterior(2E) -1-6-0 to 2-6-14, Interior (1) 2-6-14 to 14-2-11, Exterior(2R) 14-2-11 to 19-11-13, Interior (1) 19-11-13 to 26-5-14, Exterior(2R) 26-5-14 to 32-2-15, Interior (1) 32-2-15 to 40-7-13 zone; cantilever left and right exposed; end vertical left and right exposed; C-C for members and forces & MWFRS for reactions shown; Lumber DOL=1.60 plate grip DOL=1.60
- 3) Provide adequate drainage to prevent water ponding.
- 4) All plates are MT20 plates unless otherwise indicated.
- 5) This truss has been designed for a 10.0 psf bottom chord live load nonconcurrent with any other live loads.
- 6) * This truss has been designed for a live load of 20.0psf on the bottom chord in all areas where a rectangle 3-06-00 tall by 2-00-00 wide will fit between the bottom chord and any other members, with BCDL = 10.0psf.
- 7) Refer to girder(s) for truss to truss connections.
- 8) Provide mechanical connection (by others) of truss to bearing plate capable of withstanding 49 lb uplift at joint 8 and 74 lb uplift at joint 2.
- 9) Graphical purlin representation does not depict the size or the orientation of the purlin along the top and/or bottom chord.

LOAD CASE(S) Standard



December 4, 2025

WARNING - Verify design parameters and READ NOTES ON THIS AND INCLUDED MITEK REFERENCE PAGE MII-7473 rev. 1/2/2023 BEFORE USE.

Design valid for use only with MiTek® connectors. This design is based only upon parameters shown, and is for an individual building component, not a truss system. Before use, the building designer must verify the applicability of design parameters and properly incorporate this design into the overall building design. Bracing indicated is to prevent buckling of individual truss web and/or chord members only. Additional temporary and permanent bracing is always required for stability and to prevent collapse with possible personal injury and property damage. For general guidance regarding the fabrication, storage, delivery, erection and bracing of trusses and truss systems, see **ANSI/TPI1 Quality Criteria and DSB-22** available from Truss Plate Institute (www.tpin.org) and **BCSI Building Component Safety Information** available from the Structural Building Component Association (www.sbcsccomponents.com)

MiTek®

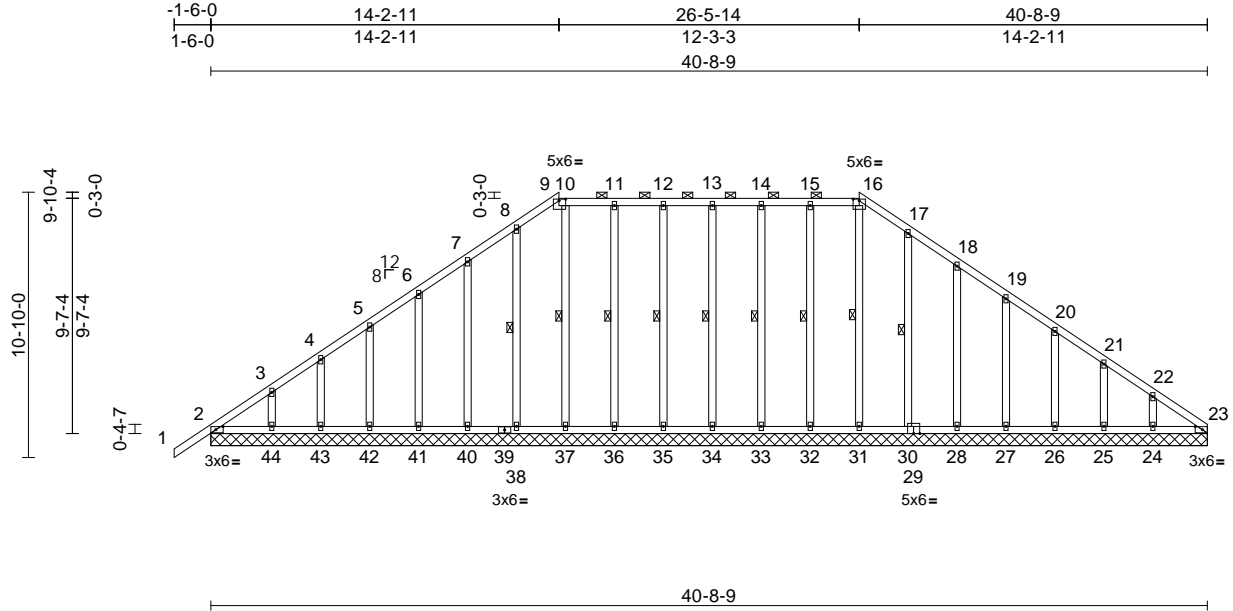
400 Sunrise Ave., Suite 270
Roseville, CA 95661
916.755.3571 / MiTek-US.com

Job	Truss	Truss Type	Qty	Ply		R91546195
5134298 Bid	A02	Piggyback Base Supported Gable	1	1	Job Reference (optional)	

Builders FirstSource (Arlington, WA), Arlington, WA - 98223,

Run: 8.83 S Sep 3 2025 Print: 8.830 S Sep 3 2025 MiTek Industries, Inc. Wed Dec 03 13:41:52
 ID:wCRiyH61y7upz6xJG?AF_zyEKeB-RfC?PsB70Hq3NSgPqnL8w3uTXbGKWrCDoi7J4zJC?f

Page: 1



Scale = 1:94.1

Plate Offsets (X, Y): [2:0-3-9,0-1-8], [9:0-3-4,0-0-14], [16:0-3-0,0-0-14], [23:0-3-9,0-1-8]

Loading	(psf)	Spacing	2-0-0	CSI	DEFL	in	(loc)	l/defl	L/d	PLATES	GRIP	
TCLL (roof)	25.0	Plate Grip DOL	1.15	TC	0.15	Vert(LL)	n/a	-	n/a	999	MT20	185/148
TCDL	7.0	Lumber DOL	1.15	BC	0.05	Vert(CT)	n/a	-	n/a	999		
BCLL	0.0*	Rep Stress Incr	YES	WB	0.12	Horz(CT)	0.01	23	n/a	n/a		
BCDL	10.0	Code	IRC2021/TPI2014	Matrix-SH								
											Weight: 244 lb	FT = 10%

LUMBER
 TOP CHORD 2x4 HF No.2
 BOT CHORD 2x4 HF No.2
 OTHERS 2x4 HF No.2

BRACING
 TOP CHORD Structural wood sheathing directly applied or 6-0-0 oc purlins, except 2-0-0 oc purlins (6-0-0 max.): 9-16.
 BOT CHORD Rigid ceiling directly applied or 10-0-0 oc bracing.
 WEBS 1 Row at midpt

REACTIONS (size)
 2=40-8-9, 23=40-8-9, 24=40-8-9, 25=40-8-9, 26=40-8-9, 27=40-8-9, 28=40-8-9, 30=40-8-9, 31=40-8-9, 32=40-8-9, 33=40-8-9, 34=40-8-9, 35=40-8-9, 36=40-8-9, 37=40-8-9, 38=40-8-9, 40=40-8-9, 41=40-8-9, 42=40-8-9, 43=40-8-9, 44=40-8-9
 Max Horiz 2=169 (LC 11)
 Max Uplift 2=-32 (LC 8), 24=-45 (LC 13), 25=-33 (LC 13), 26=-36 (LC 13), 27=-35 (LC 13), 28=-36 (LC 13), 30=-27 (LC 13), 32=-15 (LC 9), 33=-13 (LC 8), 34=-12 (LC 9), 35=-12 (LC 9), 36=-20 (LC 8), 37=-2 (LC 9), 38=-18 (LC 12), 40=-38 (LC 12), 41=-35 (LC 12), 42=-35 (LC 12), 43=-37 (LC 12), 44=-31 (LC 12)

FORCES (lb) - Maximum Compression/Maximum Tension
 TOP CHORD 1-2=0/51, 2-3=-158/132, 3-4=-121/111, 4-5=-109/97, 5-6=-100/92, 6-7=-91/112, 7-8=-87/137, 8-9=-103/147, 9-10=-81/114, 10-11=-94/138, 11-12=-94/138, 12-13=-94/138, 13-14=-94/138, 14-15=-94/138, 15-16=-95/140, 16-17=-105/151, 17-18=-83/118, 18-19=-56/77, 19-20=-52/39, 20-21=-59/37, 21-22=-80/45, 22-23=-118/68
 BOT CHORD 2-44=-58/113, 43-44=-58/113, 42-43=-58/113, 41-42=-58/113, 40-41=-58/113, 38-40=-58/113, 37-38=-58/113, 36-37=-58/113, 35-36=-58/113, 34-35=-58/113, 33-34=-58/113, 32-33=-58/113, 31-32=-58/113, 30-31=-58/113, 28-30=-58/113, 27-28=-58/113, 26-27=-58/113, 25-26=-58/113, 24-25=-58/113, 23-24=-58/113

WEBS 16-31=-111/9, 15-32=-137/39, 14-33=-127/37, 13-34=-128/36, 12-35=-128/36, 11-36=-135/44, 10-37=-123/26, 8-38=-127/42, 7-40=-128/62, 6-41=-128/59, 5-42=-128/59, 4-43=-126/59, 3-44=-136/64, 17-30=-134/51, 18-28=-127/60, 19-27=-128/59, 20-26=-129/59, 21-25=-123/58, 22-24=-146/67

NOTES
 1) Unbalanced roof live loads have been considered for this design.
 2) Wind: ASCE 7-16; Vult=110mph (3-second gust) Vasd=87mph; TC DL=4.2psf; BCDL=6.0psf; h=25ft; Cat. II; Exp B; Enclosed; MWFRS (envelope) exterior zone and C-C Corner(3E) -1-6-0 to 2-5-14, Exterior(2N) 2-5-14 to 14-2-11, Corner(3R) 14-2-11 to 18-5-14, Exterior(2N) 18-5-14 to 26-5-14, Corner(3R) 26-5-14 to 30-5-14, Exterior(2N) 30-5-14 to 40-8-9 zone; cantilever left and right exposed; end vertical left and right exposed; C-C for members and forces & MWFRS for reactions shown; Lumber DOL=1.60 plate grip DOL=1.60



December 4, 2025

Continued on page 2

WARNING - Verify design parameters and READ NOTES ON THIS AND INCLUDED MITEK REFERENCE PAGE MII-7473 rev. 1/2/2023 BEFORE USE.

Design valid for use only with MiTek® connectors. This design is based only upon parameters shown, and is for an individual building component, not a truss system. Before use, the building designer must verify the applicability of design parameters and properly incorporate this design into the overall building design. Bracing indicated is to prevent buckling of individual truss web and/or chord members only. Additional temporary and permanent bracing is always required for stability and to prevent collapse with possible personal injury and property damage. For general guidance regarding the fabrication, storage, delivery, erection and bracing of trusses and truss systems, see **ANSI/TPI1 Quality Criteria and DSB-22** available from Truss Plate Institute (www.tpinst.org) and **BCSI Building Component Safety Information** available from the Structural Building Component Association (www.sbcsc.com)

MiTek®
 400 Sunrise Ave., Suite 270
 Roseville, CA 95661
 916.755.3571 / MiTek-US.com

Job	Truss	Truss Type	Qty	Ply	Job Reference (optional)
5134298 Bid	A02	Piggyback Base Supported Gable	1	1	R91546195

Builders FirstSource (Arlington, WA), Arlington, WA - 98223,

Run: 8.83 S Sep 3 2025 Print: 8.830 S Sep 3 2025 MiTek Industries, Inc. Wed Dec 03 13:41:52
ID:wCRiyH61y7upz6xJG?AF_zyEKeB-RfC?PsB70Hq3NSgPqnL8w3ulTXbGKWrCDoi7J4zJC?f

Page: 2

- 3) Truss designed for wind loads in the plane of the truss only. For studs exposed to wind (normal to the face), see Standard Industry Gable End Details as applicable, or consult qualified building designer as per ANSI/TPI 1.
- 4) Provide adequate drainage to prevent water ponding.
- 5) All plates are 2x4 (||) MT20 unless otherwise indicated.
- 6) Gable requires continuous bottom chord bearing.
- 7) Gable studs spaced at 2-0-0 oc.
- 8) This truss has been designed for a 10.0 psf bottom chord live load nonconcurrent with any other live loads.
- 9) * This truss has been designed for a live load of 20.0psf on the bottom chord in all areas where a rectangle 3-06-00 tall by 2-00-00 wide will fit between the bottom chord and any other members.
- 10) Provide mechanical connection (by others) of truss to bearing plate capable of withstanding 32 lb uplift at joint 2, 15 lb uplift at joint 32, 13 lb uplift at joint 33, 12 lb uplift at joint 34, 12 lb uplift at joint 35, 20 lb uplift at joint 36, 2 lb uplift at joint 37, 18 lb uplift at joint 38, 38 lb uplift at joint 40, 35 lb uplift at joint 41, 35 lb uplift at joint 42, 37 lb uplift at joint 43, 31 lb uplift at joint 44, 27 lb uplift at joint 30, 36 lb uplift at joint 28, 35 lb uplift at joint 27, 36 lb uplift at joint 26, 33 lb uplift at joint 25 and 45 lb uplift at joint 24.
- 11) Beveled plate or shim required to provide full bearing surface with truss chord at joint(s) 2.
- 12) Graphical purlin representation does not depict the size or the orientation of the purlin along the top and/or bottom chord.

LOAD CASE(S) Standard

WARNING - Verify design parameters and READ NOTES ON THIS AND INCLUDED MITEK REFERENCE PAGE MII-7473 rev. 1/2/2023 BEFORE USE.

Design valid for use only with MiTek® connectors. This design is based only upon parameters shown, and is for an individual building component, not a truss system. Before use, the building designer must verify the applicability of design parameters and properly incorporate this design into the overall building design. Bracing indicated is to prevent buckling of individual truss web and/or chord members only. Additional temporary and permanent bracing is always required for stability and to prevent collapse with possible personal injury and property damage. For general guidance regarding the fabrication, storage, delivery, erection and bracing of trusses and truss systems, see **ANSI/TPI1 Quality Criteria and DSB-22** available from Truss Plate Institute (www.tpinst.org) and **BCSI Building Component Safety Information** available from the Structural Building Component Association (www.sbcsccomponents.com)

MiTek®

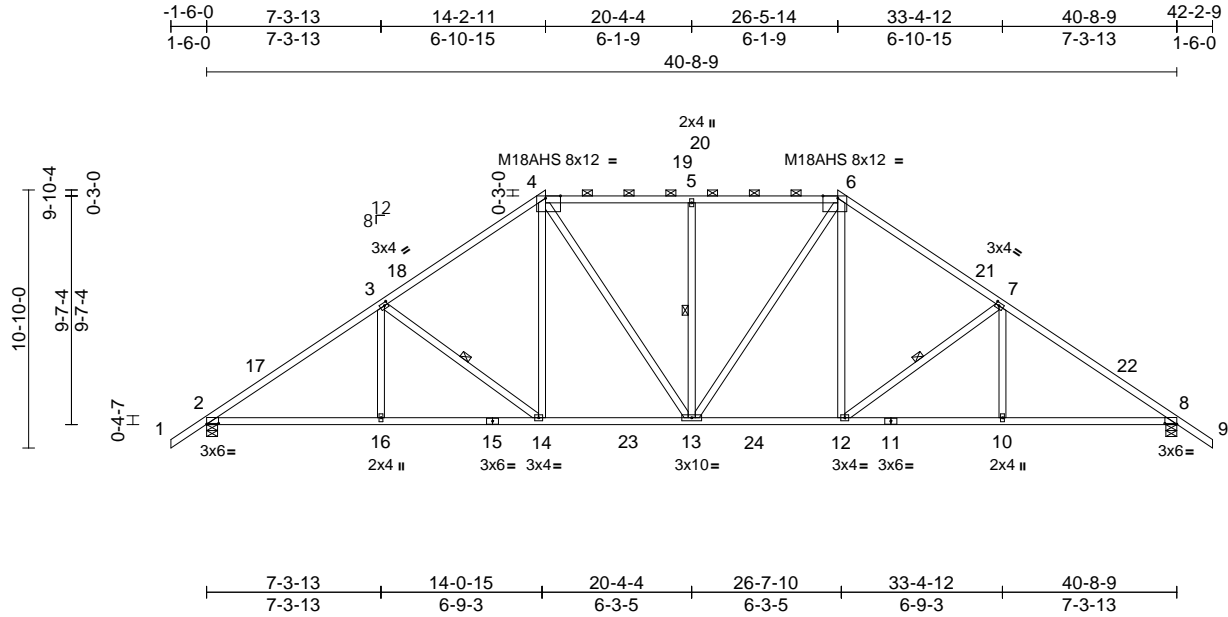
400 Sunrise Ave., Suite 270
Roseville, CA 95661
916.755.3571 / MiTek-US.com

Job 5134298 Bid	Truss A03	Truss Type Piggyback Base	Qty 4	Ply 1	Job Reference (optional)	R91546196
--------------------	--------------	------------------------------	----------	----------	--------------------------	-----------

Builders FirstSource (Arlington, WA), Arlington, WA - 98223,

Run: 8.83 S Sep 3 2025 Print: 8.830 S Sep 3 2025 MiTek Industries, Inc. Wed Dec 03 13:41:52
ID:eC9Cjy3a5jK5vIrNaY8QyEKcz-RfC?PsB70Hq3NSgPqnL8w3uITxbGKwRCDoi7J4zJC?f

Page: 1



Scale = 1:96.7

Plate Offsets (X, Y): [2:0-6-0,0-0-6], [3:0-1-12,0-1-8], [4:0-7-8,Edge], [6:0-7-8,Edge], [7:0-1-12,0-1-8], [8:0-6-0,0-0-6]

Loading	(psf)	Spacing	2-0-0	CSI	DEFL	in	(loc)	l/defl	L/d	PLATES	GRIP
TCLL (roof)	25.0	Plate Grip DOL	1.15	TC	0.76	Vert(LL)	-0.21	13-14	>999	240	M18AHS 145/140
TCDL	7.0	Lumber DOL	1.15	BC	0.78	Vert(CT)	-0.34	13-14	>999	180	MT20 185/148
BCLL	0.0*	Rep Stress Incr	YES	WB	0.25	Horz(CT)	0.15	8	n/a	n/a	
BCDL	10.0	Code	IRC2021/TPI2014	Matrix-SH							Weight: 193 lb FT = 10%

LUMBER

TOP CHORD 2x4 HF No.2
BOT CHORD 2x4 HF No.2
WEBS 2x4 HF No.2

BRACING

TOP CHORD Structural wood sheathing directly applied, except
2-0-0 oc purlins (3-7-11 max.): 4-6.
BOT CHORD Rigid ceiling directly applied or 10-0-0 oc bracing.

WEBS 1 Row at midpt 3-14, 5-13, 7-12

REACTIONS (size) 2=0-5-8, 8=0-5-8
Max Horiz 2=-174 (LC 10)
Max Uplift 2=-74 (LC 12), 8=-74 (LC 13)
Max Grav 2=1885 (LC 2), 8=1885 (LC 2)

FORCES

(lb) - Maximum Compression/Maximum Tension
TOP CHORD 1-2=0/53, 2-3=-2781/81, 3-4=-2246/112, 4-5=-2004/100, 5-6=-2004/100, 6-7=-2246/112, 7-8=-2781/81, 8-9=0/53
BOT CHORD 2-16=-85/2249, 14-16=-85/2249, 13-14=0/1781, 12-13=0/1781, 10-12=0/2210, 8-10=0/2210
WEBS 3-16=0/301, 3-14=-601/129, 4-14=0/613, 4-13=-104/521, 5-13=-501/128, 6-13=-104/521, 6-12=0/613, 7-12=-601/129, 7-10=0/301

NOTES

1) Unbalanced roof live loads have been considered for this design.

- 2) Wind: ASCE 7-16; Vult=110mph (3-second gust) Vasd=87mph; TC DL=4.2psf; BCDL=6.0psf; h=25ft; Cat. II; Exp B; Enclosed; MWFRS (envelope) exterior zone and C-C Exterior(2E) -1-6-0 to 2-6-14, Interior (1) 2-6-14 to 14-2-11, Exterior(2R) 14-2-11 to 19-11-13, Interior (1) 19-11-13 to 26-5-14, Exterior(2R) 26-5-14 to 32-2-15, Interior (1) 32-2-15 to 42-2-9 zone; cantilever left and right exposed; end vertical left and right exposed; C-C for members and forces & MWFRS for reactions shown; Lumber DOL=1.60 plate grip DOL=1.60
- 3) Provide adequate drainage to prevent water ponding.
- 4) All plates are MT20 plates unless otherwise indicated.
- 5) This truss has been designed for a 10.0 psf bottom chord live load nonconcurrent with any other live loads.
- 6) * This truss has been designed for a live load of 20.0psf on the bottom chord in all areas where a rectangle 3-06-00 tall by 2-00-00 wide will fit between the bottom chord and any other members, with BCDL = 10.0psf.
- 7) Provide mechanical connection (by others) of truss to bearing plate capable of withstanding 74 lb uplift at joint 2 and 74 lb uplift at joint 8.
- 8) Graphical purlin representation does not depict the size or the orientation of the purlin along the top and/or bottom chord.

LOAD CASE(S) Standard



December 4, 2025

WARNING - Verify design parameters and READ NOTES ON THIS AND INCLUDED MITEK REFERENCE PAGE MII-7473 rev. 1/2/2023 BEFORE USE.

Design valid for use only with MiTek® connectors. This design is based only upon parameters shown, and is for an individual building component, not a truss system. Before use, the building designer must verify the applicability of design parameters and properly incorporate this design into the overall building design. Bracing indicated is to prevent buckling of individual truss web and/or chord members only. Additional temporary and permanent bracing is always required for stability and to prevent collapse with possible personal injury and property damage. For general guidance regarding the fabrication, storage, delivery, erection and bracing of trusses and truss systems, see **ANSI/TPI1 Quality Criteria and DSB-22** available from Truss Plate Institute (www.tpinst.org) and **BCSI Building Component Safety Information** available from the Structural Building Component Association (www.sbcsccomponents.com)

MiTek®

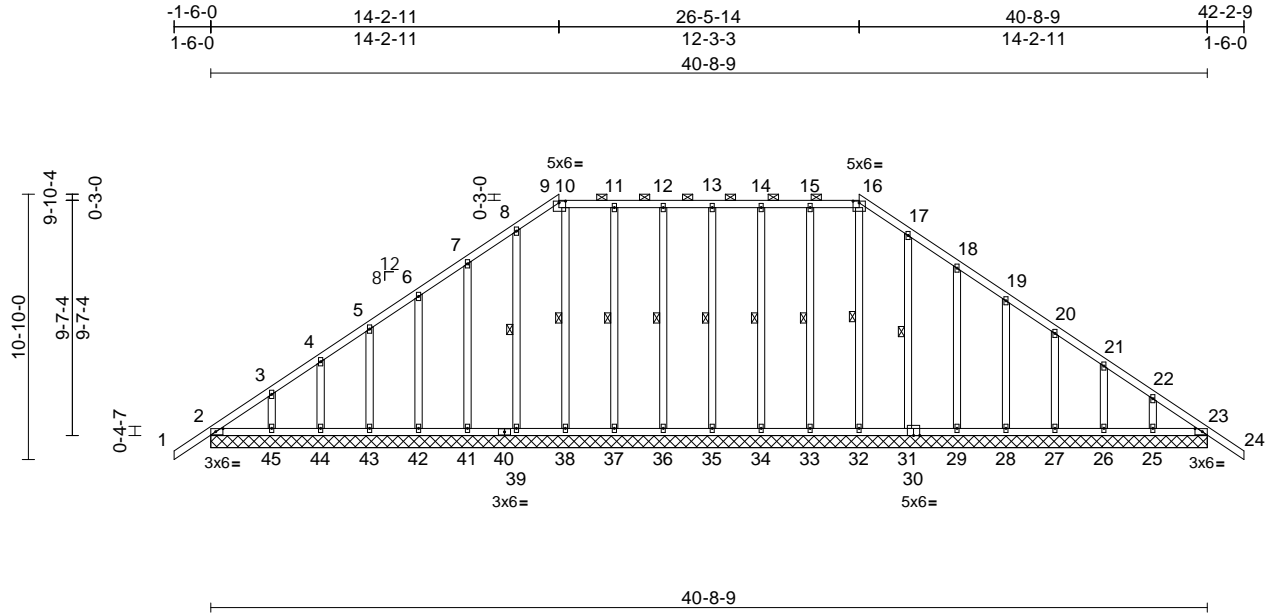
400 Sunrise Ave., Suite 270
Roseville, CA 95661
916.755.3571 / MiTek-US.com

Job	Truss	Truss Type	Qty	Ply	R91546197	
5134298 Bid	A04	Piggyback Base Supported Gable	1	1	Job Reference (optional)	

Builders FirstSource (Arlington, WA), Arlington, WA - 98223,

Run: 8.83 S Sep 3 2025 Print: 8.830 S Sep 3 2025 MiTek Industries, Inc. Wed Dec 03 13:41:53
 ID:InP9PtP9?NdlZdt1zblYyEKcW-RfC?PsB70Hq3NSgPqnL8w3uTXbGKwRCDoi7J4zJC?f

Page: 1



Scale = 1:94.1

Plate Offsets (X, Y): [2:0-3-9,0-1-8], [9:0-3-4,0-0-14], [16:0-3-0,0-0-14], [23:0-3-9,0-1-8]

Loading	(psf)	Spacing	2-0-0	CSI	DEFL	in	(loc)	l/defl	L/d	PLATES	GRIP	
TCLL (roof)	25.0	Plate Grip DOL	1.15	TC	0.15	Vert(LL)	n/a	-	n/a	999	MT20	185/148
TCDL	7.0	Lumber DOL	1.15	BC	0.05	Vert(CT)	n/a	-	n/a	999		
BCLL	0.0*	Rep Stress Incr	YES	WB	0.12	Horz(CT)	0.01	23	n/a	n/a		
BCDL	10.0	Code	IRC2021/TPI2014	Matrix-SH								
											Weight: 246 lb	FT = 10%

LUMBER
 TOP CHORD 2x4 HF No.2
 BOT CHORD 2x4 HF No.2
 OTHERS 2x4 HF No.2

BRACING
 TOP CHORD Structural wood sheathing directly applied or 6-0-0 oc purlins, except 2-0-0 oc purlins (6-0-0 max.): 9-16.
 BOT CHORD Rigid ceiling directly applied or 10-0-0 oc bracing.

WEBS 1 Row at midpt 16-32, 15-33, 14-34, 13-35, 12-36, 11-37, 10-38, 8-39, 17-31

REACTIONS (size)
 Max Horiz 2=175 (LC 11)
 Max Uplift 2=-34 (LC 8), 25=-26 (LC 13), 26=-38 (LC 13), 27=-34 (LC 13), 28=-35 (LC 13), 29=-36 (LC 13), 31=-27 (LC 13), 33=-15 (LC 9), 34=-13 (LC 8), 35=-12 (LC 9), 36=-12 (LC 9), 37=-20 (LC 8), 39=-17 (LC 12), 41=-38 (LC 12), 42=-35 (LC 12), 43=-35 (LC 12), 44=-37 (LC 12), 45=-31 (LC 12)

Max Grav 2=227 (LC 1), 23=221 (LC 1), 25=151 (LC 20), 26=173 (LC 26), 27=167 (LC 1), 28=169 (LC 26), 29=167 (LC 1), 31=174 (LC 26), 32=152 (LC 22), 33=177 (LC 25), 34=167 (LC 25), 35=168 (LC 26), 36=168 (LC 25), 37=175 (LC 26), 38=166 (LC 22), 39=167 (LC 19), 41=168 (LC 1), 42=168 (LC 25), 43=168 (LC 1), 44=168 (LC 25), 45=172 (LC 19)

FORCES (lb) - Maximum Compression/Maximum Tension
 TOP CHORD 1-2=0/51, 2-3=-153/137, 3-4=-121/116, 4-5=-110/102, 5-6=-102/98, 6-7=-93/121, 7-8=-94/146, 8-9=-109/159, 9-10=-86/122, 10-11=-99/151, 11-12=-99/151, 12-13=-99/151, 13-14=-99/151, 14-15=-99/151, 15-16=-101/153, 16-17=-112/166, 17-18=-89/133, 18-19=-63/93, 19-20=-51/53, 20-21=-56/35, 21-22=-72/46, 22-23=-105/63, 23-24=0/51
 BOT CHORD 2-45=-68/126, 44-45=-68/126, 43-44=-68/126, 42-43=-68/126, 41-42=-68/126, 39-41=-68/126, 38-39=-68/126, 37-38=-68/126, 36-37=-68/126, 35-36=-68/126, 34-35=-68/126, 33-34=-68/126, 32-33=-68/126, 31-32=-68/126, 29-31=-68/126, 28-29=-68/126, 27-28=-68/126, 26-27=-68/126, 25-26=-68/126, 23-25=-68/126

WEBS 16-32=-112/12, 15-33=-137/39, 14-34=-127/37, 13-35=-128/36, 12-36=-128/36, 11-37=-135/44, 10-38=-126/24, 8-39=-127/41, 7-41=-128/62, 6-42=-128/59, 5-43=-128/59, 4-44=-126/59, 3-45=-136/64, 17-31=-134/51, 18-29=-127/60, 19-28=-128/59, 20-27=-128/59, 21-26=-130/60, 22-25=-122/58

NOTES
 1) Unbalanced roof live loads have been considered for this design.
 2) Wind: ASCE 7-16; Vult=110mph (3-second gust) Vasd=87mph; TC DL=4.2psf; BCDL=6.0psf; h=25ft; Cat. II; Exp B; Enclosed; MWFRS (envelope) exterior zone and C-C Corner(3E) -1-6-0 to 2-5-14, Exterior(2N) 2-5-14 to 14-2-11, Corner(3R) 14-2-11 to 18-5-14, Exterior(2N) 18-5-14 to 26-5-14, Corner(3R) 26-5-14 to 30-5-14, Exterior(2N) 30-5-14 to 42-2-9 zone; cantilever left and right exposed; end vertical left and right exposed; C-C for members and forces & MWFRS for reactions shown; Lumber DOL=1.60 plate grip DOL=1.60



December 4, 2025

Continued on page 2

WARNING - Verify design parameters and READ NOTES ON THIS AND INCLUDED MITEK REFERENCE PAGE MII-7473 rev. 1/2/2023 BEFORE USE.

Design valid for use only with MiTek® connectors. This design is based only upon parameters shown, and is for an individual building component, not a truss system. Before use, the building designer must verify the applicability of design parameters and properly incorporate this design into the overall building design. Bracing indicated is to prevent buckling of individual truss web and/or chord members only. Additional temporary and permanent bracing is always required for stability and to prevent collapse with possible personal injury and property damage. For general guidance regarding the fabrication, storage, delivery, erection and bracing of trusses and truss systems, see **ANSI/TPI1 Quality Criteria and DSB-22** available from Truss Plate Institute (www.tpin.org) and **BCSI Building Component Safety Information** available from the Structural Building Component Association (www.sbcsc.com)

MiTek®

400 Sunrise Ave., Suite 270
 Roseville, CA 95661
 916.755.3571 / MiTek-US.com

Job	Truss	Truss Type	Qty	Ply	Job Reference (optional)
5134298 Bid	A04	Piggyback Base Supported Gable	1	1	R91546197

Builders FirstSource (Arlington, WA), Arlington, WA - 98223,

Run: 8.83 S Sep 3 2025 Print: 8.830 S Sep 3 2025 MiTek Industries, Inc. Wed Dec 03 13:41:53
 ID:InP9PtP9!NdlZdt1zblQyEKcW-RfC?PsB70Hq3NSgPqnL8w3ulTXbGKWrCDoi7J4zJC?#

Page: 2

- 3) Truss designed for wind loads in the plane of the truss only. For studs exposed to wind (normal to the face), see Standard Industry Gable End Details as applicable, or consult qualified building designer as per ANSI/TPI 1.
- 4) Provide adequate drainage to prevent water ponding.
- 5) All plates are 2x4 (||) MT20 unless otherwise indicated.
- 6) Gable requires continuous bottom chord bearing.
- 7) Gable studs spaced at 2-0-0 oc.
- 8) This truss has been designed for a 10.0 psf bottom chord live load nonconcurrent with any other live loads.
- 9) * This truss has been designed for a live load of 20.0psf on the bottom chord in all areas where a rectangle 3-06-00 tall by 2-00-00 wide will fit between the bottom chord and any other members.
- 10) Provide mechanical connection (by others) of truss to bearing plate capable of withstanding 34 lb uplift at joint 2, 15 lb uplift at joint 33, 13 lb uplift at joint 34, 12 lb uplift at joint 35, 12 lb uplift at joint 36, 20 lb uplift at joint 37, 17 lb uplift at joint 39, 38 lb uplift at joint 41, 35 lb uplift at joint 42, 35 lb uplift at joint 43, 37 lb uplift at joint 44, 31 lb uplift at joint 45, 27 lb uplift at joint 31, 36 lb uplift at joint 29, 35 lb uplift at joint 28, 34 lb uplift at joint 27, 38 lb uplift at joint 26 and 26 lb uplift at joint 25.
- 11) Graphical purlin representation does not depict the size or the orientation of the purlin along the top and/or bottom chord.

LOAD CASE(S) Standard

WARNING - Verify design parameters and READ NOTES ON THIS AND INCLUDED MITEK REFERENCE PAGE MII-7473 rev. 1/2/2023 BEFORE USE.

Design valid for use only with MiTek® connectors. This design is based only upon parameters shown, and is for an individual building component, not a truss system. Before use, the building designer must verify the applicability of design parameters and properly incorporate this design into the overall building design. Bracing indicated is to prevent buckling of individual truss web and/or chord members only. Additional temporary and permanent bracing is always required for stability and to prevent collapse with possible personal injury and property damage. For general guidance regarding the fabrication, storage, delivery, erection and bracing of trusses and truss systems, see **ANSI/TPI1 Quality Criteria and DSB-22** available from Truss Plate Institute (www.tpinst.org) and **BCSI Building Component Safety Information** available from the Structural Building Component Association (www.sbcsccomponents.com)

MiTek®

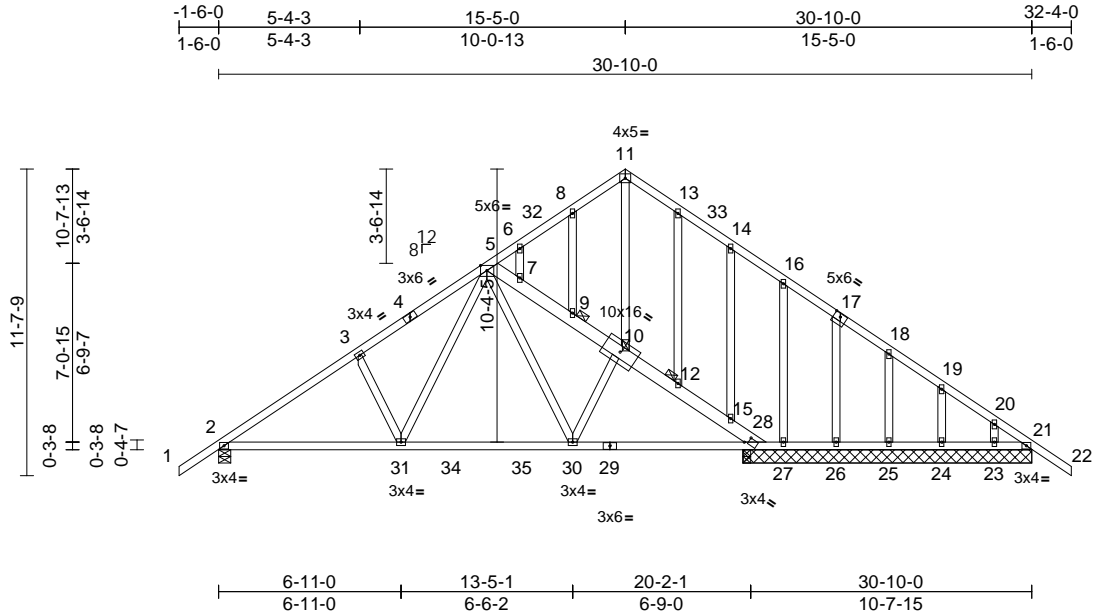
400 Sunrise Ave., Suite 270
 Roseville, CA 95661
 916.755.3571 / MiTek-US.com

Job	Truss	Truss Type	Qty	Ply	Job Reference (optional)	R91546198
5134298 Bid	B02	Common Structural Gable	1	1		

Builders FirstSource (Arlington, WA), Arlington, WA - 98223,

Run: 8.83 S Sep 3 2025 Print: 8.830 S Sep 3 2025 MiTek Industries, Inc. Wed Dec 03 13:41:53
 ID:JD8?WBG7?fw93pHVbrDWpyEKa7-RfC?PsB70Hq3NSgPqnl8w3uITXbGKwRCD0i7J4zJC?f

Page: 1



Scale = 1:87.4

Plate Offsets (X, Y): [5:0-2-14,Edge], [17:0-3-0,0-1-8], [28:0-1-8,0-3-5]

Loading	(psf)	Spacing	2-0-0	CSI	DEFL	in	(loc)	l/defl	L/d	PLATES	GRIP	
TCLL (roof)	25.0	Plate Grip DOL	1.15	TC	0.27	Vert(LL)	-0.08	30-31	>999	240	MT20	185/148
TCDL	7.0	Lumber DOL	1.15	BC	0.48	Vert(CT)	-0.12	30-31	>999	180		
BCLL	0.0*	Rep Stress Incr	YES	WB	0.13	Horz(CT)	0.03	21	n/a	n/a		
BCDL	10.0	Code	IRC2021/TPI2014	Matrix-SH								Weight: 185 lb FT = 10%

LUMBER
 TOP CHORD 2x4 HF No.2 *Except* 5-28:2x6 DF No.2
 BOT CHORD 2x4 HF No.2
 WEBS 2x4 HF No.2
 OTHERS 2x4 HF No.2

BRACING
 TOP CHORD Structural wood sheathing directly applied or 4-9-10 oc purlins.
 BOT CHORD Rigid ceiling directly applied or 10-0-0 oc bracing.
 JOINTS 1 Brace at Jt(s): 9, 12, 10

REACTIONS (size) 2=0-5-8, 21=10-11-7, 23=10-11-7, 24=10-11-7, 25=10-11-7, 26=10-11-7, 27=10-11-7, 28=10-11-7
 Max Horiz 2=190 (LC 10)
 Max Uplift 2=39 (LC 12), 21=3 (LC 9), 23=13 (LC 13), 24=41 (LC 13), 25=29 (LC 13), 26=35 (LC 13), 27=39 (LC 13), 28=11 (LC 12)
 Max Grav 2=1029 (LC 19), 21=233 (LC 1), 23=118 (LC 20), 24=210 (LC 20), 25=179 (LC 20), 26=205 (LC 20), 27=121 (LC 20), 28=950 (LC 19)

FORCES (lb) - Maximum Compression/Maximum Tension
 TOP CHORD 1-2=0/53, 2-3=-1286/27, 3-5=-1174/69, 5-6=-122/75, 6-8=-109/94, 8-11=-97/115, 11-13=-97/103, 13-14=-94/73, 14-16=-83/39, 16-18=-114/28, 18-19=-139/43, 19-20=-159/71, 20-21=-187/88, 21-22=0/51, 5-7=-959/38, 7-9=-997/57, 9-10=-1062/88, 10-12=-1084/59, 12-15=-1129/72, 15-28=-1176/93

BOT CHORD 2-31=-71/1123, 30-31=-15/779, 28-30=0/1004, 27-28=-99/190, 26-27=-99/190, 25-26=-97/188, 24-25=-97/188, 23-24=-97/188, 21-23=-97/188
WEBS 10-11=-91/43, 8-9=-124/55, 6-7=-65/32, 12-13=-117/48, 14-15=-149/63, 16-27=-132/63, 17-26=-127/59, 18-25=-118/54, 19-24=-138/64, 20-23=-85/46, 3-31=-249/124, 5-31=-35/547, 10-30=-173/0, 5-30=0/397

NOTES
 1) Unbalanced roof live loads have been considered for this design.
 2) Wind: ASCE 7-16; Vult=110mph (3-second gust) Vasd=87mph; TCCL=4.2psf; BCDL=6.0psf; h=25ft; Cat. II; Exp B; Enclosed; MWFRS (envelope) exterior zone and C-C Exterior(2E) -1-6-0 to 1-7-0, Interior (1) 1-7-0 to 15-5-0, Exterior(2R) 15-5-0 to 18-6-0, Interior (1) 18-6-0 to 32-4-0 zone; cantilever left and right exposed; end vertical left and right exposed; C-C for members and forces & MWFRS for reactions shown; Lumber DOL=1.60 plate grip DOL=1.60
 3) Truss designed for wind loads in the plane of the truss only. For studs exposed to wind (normal to the face), see Standard Industry Gable End Details as applicable, or consult qualified building designer as per ANSI/TPI 1.
 4) All plates are 2x4 (||) MT20 unless otherwise indicated.
 5) Gable studs spaced at 2-0-0 oc.
 6) This truss has been designed for a 10.0 psf bottom chord live load nonconcurrent with any other live loads.
 7) * This truss has been designed for a live load of 20.0psf on the bottom chord in all areas where a rectangle 3-06-00 tall by 2-00-00 wide will fit between the bottom chord and any other members, with BCDL = 10.0psf.

8) Provide mechanical connection (by others) of truss to bearing plate capable of withstanding 39 lb uplift at joint 2, 11 lb uplift at joint 28, 39 lb uplift at joint 27, 35 lb uplift at joint 26, 29 lb uplift at joint 25, 41 lb uplift at joint 24, 13 lb uplift at joint 23 and 3 lb uplift at joint 21.
 9) Graphical purlin representation does not depict the size or the orientation of the purlin along the top and/or bottom chord.

LOAD CASE(S) Standard



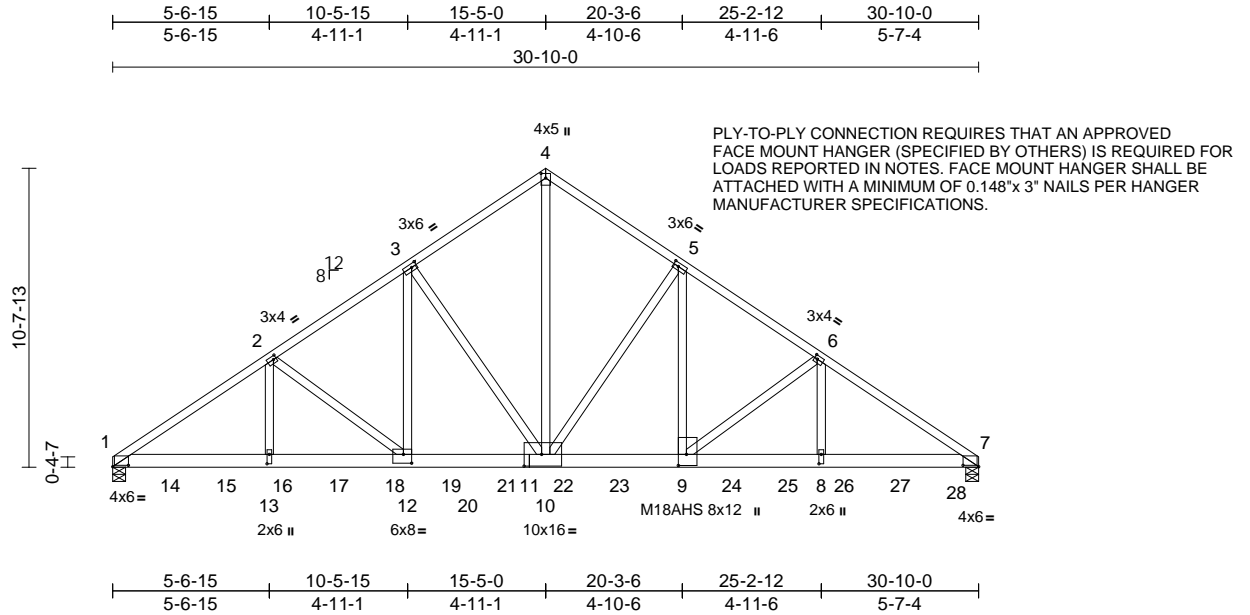
December 4, 2025

Job 5134298 Bid	Truss B03	Truss Type Common Girder	Qty 1	Ply 5	Job Reference (optional)	R91546199
--------------------	--------------	-----------------------------	----------	----------	--------------------------	-----------

Builders FirstSource (Arlington, WA), Arlington, WA - 98223,

Run: 8.83 E Dec 31 2024 Print: 8.830 E Dec 31 2024 MiTek Industries, Inc. Thu Dec 04 14:57:25
ID:GQR1eJvMEIKP0DNT6EHeA_yEKZl-zhCFGr9?Jsl5ucmD1QPJ7RaDxhkDwUJvLuPhyCHYE

Page: 1



Scale = 1:76

[1:0-6-11,0-0-9], [2:0-1-4,0-1-8], [3:0-2-4,0-1-8], [4:0-2-0,0-2-0], [5:0-2-4,0-1-8], [6:0-1-4,0-1-8], [7:0-6-11,0-0-9], [8:0-4-0,0-1-0], [9:0-4-12,0-3-8], [11:0-7-8,0-5-0],

Plate Offsets (X, Y): [12:0-3-8,0-3-12], [13:0-4-0,0-1-0]

Loading	(psf)	Spacing	2-0-0	CSI	DEFL	in (loc)	l/defl	L/d	PLATES	GRIP		
TCLL (roof)	25.0	Plate Grip DOL	1.15	TC	0.85	Vert(LL)	-0.20	10-12	>999	240	MT20	185/148
TCDL	7.0	Lumber DOL	1.15	BC	0.50	Vert(CT)	-0.32	10-12	>999	180	M18AHS	145/140
BCLL	0.0*	Rep Stress Incr	NO	WB	0.71	Horz(CT)	0.07	7	n/a	n/a		
BCDL	10.0	Code	IRC2021/TPI2014	Matrix-SH							Weight: 882 lb	FT = 10%

LUMBER

TOP CHORD 2x4 HF No.2
BOT CHORD 2x6 DF 2400F 2.0E
WEBS 2x4 HF No.2

BRACING

TOP CHORD Structural wood sheathing directly applied or 6-0-0 oc purlins.
BOT CHORD Rigid ceiling directly applied or 10-0-0 oc bracing.

REACTIONS (lb/size) 1=13294/0-5-8, 7=14392/0-5-8
Max Horiz 1=-172 (LC 6)
Max Uplift 1=-466 (LC 8), 7=-503 (LC 9)
Max Grav 1=13998 (LC 2), 7=15161 (LC 2)

FORCES (lb) - Max. Comp./Max. Ten. - All forces 250 (lb) or less except when shown.

TOP CHORD 1-2=-21927/737, 2-3=-17575/621, 3-4=-13405/533, 4-5=-13404/533, 5-6=-17549/621, 6-7=-22037/741
BOT CHORD 1-14=-665/18030, 14-15=-665/18030, 13-15=-665/18030, 13-16=-665/18030, 16-17=-665/18030, 17-18=-665/18030, 12-18=-665/18030, 12-19=-484/14557, 19-20=-484/14557, 20-21=-484/14557, 11-21=-484/14557, 10-11=-484/14557, 10-22=-418/14535, 22-23=-418/14535, 9-23=-418/14535, 9-24=-552/18124, 24-25=-552/18124, 8-25=-552/18124, 8-26=-552/18124, 26-27=-552/18124, 27-28=-552/18124, 7-28=-552/18124
WEBS 4-10=-514/14516, 2-12=-4343/226, 2-13=-116/4988, 3-12=-218/6950, 3-10=-5965/309, 5-10=-5990/309, 5-9=-220/6986, 6-9=-4489/232, 6-8=-121/5141

NOTES

1) n/a

- 5-ply truss to be connected together with 10d (0.148"x3") nails as follows:
Top chords connected as follows: 2x4 - 1 row at 0-6-0 oc.
Bottom chords connected as follows: 2x6 - 3 rows staggered at 0-4-0 oc.
Web connected as follows: 2x4 - 1 row at 0-9-0 oc, Except member 5-9 2x4 - 1 row at 0-6-0 oc.
Attach TC&BC w/1/2" diam. bolts(ASM A-307) in the center of the member w/washers at 4-0-0 oc.
- All loads are considered equally applied to all plies, except if noted as front (F) or back (B) face in the LOAD CASE(S) section. Ply to ply connections have been provided to distribute only loads noted as (F) or (B), unless otherwise indicated.
- Unbalanced roof live loads have been considered for this design.
- Wind: ASCE 7-16; Vult=110mph (3-second gust) Vasd=87mph; TCCL=4.2psf; BCDL=6.0psf; h=25ft; Cat. II; Exp B; Enclosed; MWFRS (envelope) exterior zone; cantilever left and right exposed; end vertical left and right exposed; Lumber DOL=1.60 plate grip DOL=1.60
- All plates are MT20 plates unless otherwise indicated.
- This truss has been designed for a 10.0 psf bottom chord live load nonconcurrent with any other live loads.
- * This truss has been designed for a live load of 20.0psf on the bottom chord in all areas where a rectangle 3-06-00 tall by 2-00-00 wide will fit between the bottom chord and any other members, with BCDL = 10.0psf.
- Provide mechanical connection (by others) of truss to bearing plate capable of withstanding 466 lb uplift at joint 1 and 503 lb uplift at joint 7.

- Hanger(s) or other connection device(s) shall be provided sufficient to support concentrated load(s) 1766 lb down and 61 lb up at 2-0-12, 1766 lb down and 61 lb up at 4-0-12, 1766 lb down and 61 lb up at 6-0-12, 1766 lb down and 61 lb up at 8-0-12, 1762 lb down and 61 lb up at 10-0-12, 1754 lb down and 61 lb up at 12-0-12, 1766 lb down and 61 lb up at 14-0-12, 1766 lb down and 61 lb up at 16-0-12, 1759 lb down and 61 lb up at 18-0-12, 1758 lb down and 61 lb up at 20-0-12, 1766 lb down and 61 lb up at 22-0-12, 1766 lb down and 61 lb up at 24-0-12, 1766 lb down and 61 lb up at 26-0-12, and 1766 lb down and 61 lb up at 30-0-12 on bottom chord. The design/selection of such connection device(s) is the responsibility of others.

LOAD CASE(S) Standard

- Dead + Roof Live (balanced): Lumber Increase=1.15, Plate Increase=1.15
Uniform Loads (lb/ft)
Vert: 1-4=-64, 4-7=-64, 1-7=-20
Concentrated Loads (lb)



December 4, 2025

Continued on page 2

WARNING - Verify design parameters and READ NOTES ON THIS AND INCLUDED MITEK REFERENCE PAGE MII-7473 rev. 1/2/2023 BEFORE USE.

Design valid for use only with MiTek® connectors. This design is based only upon parameters shown, and is for an individual building component, not a truss system. Before use, the building designer must verify the applicability of design parameters and properly incorporate this design into the overall building design. Bracing indicated is to prevent buckling of individual truss web and/or chord members only. Additional temporary and permanent bracing is always required for stability and to prevent collapse with possible personal injury and property damage. For general guidance regarding the fabrication, storage, delivery, erection and bracing of trusses and truss systems, see **ANSI/TPI1 Quality Criteria and DSB-22** available from Truss Plate Institute (www.tpin.org) and **BCSI Building Component Safety Information** available from the Structural Building Component Association (www.sbcsccomponents.com)

MiTek®

400 Sunrise Ave., Suite 270
Roseville, CA 95661
916.755.3571 / MiTek-US.com

Job	Truss	Truss Type	Qty	Ply	R91546199
5134298 Bid	B03	Common Girder	1	5	Job Reference (optional)

Builders FirstSource (Arlington, WA), Arlington, WA - 98223,

Run: 8.83 E Dec 31 2024 Print: 8.830 E Dec 31 2024 MiTek Industries, Inc. Thu Dec 04 14:57:25
 ID:GQr1eJvMEIKP0DNT6EHeA_yEKZl-zhCFGr9?Jsl5ucmD1QPJ7RaDxhkDwUhJvLuPhyCHYe

Page: 2

Vert: 9=-1675 (B), 14=-1675 (B), 15=-1675 (B),
 16=-1675 (B), 17=-1675 (B), 18=-1675 (B), 19=-1675
 (B), 21=-1675 (B), 22=-1675 (B), 23=-1675 (B),
 24=-1675 (B), 25=-1675 (B), 26=-1675 (B), 27=-1675
 (B), 28=-1680 (B)

⚠ WARNING - Verify design parameters and READ NOTES ON THIS AND INCLUDED MITEK REFERENCE PAGE MII-7473 rev. 1/2/2023 BEFORE USE.

Design valid for use only with MiTek® connectors. This design is based only upon parameters shown, and is for an individual building component, not a truss system. Before use, the building designer must verify the applicability of design parameters and properly incorporate this design into the overall building design. Bracing indicated is to prevent buckling of individual truss web and/or chord members only. Additional temporary and permanent bracing is always required for stability and to prevent collapse with possible personal injury and property damage. For general guidance regarding the fabrication, storage, delivery, erection and bracing of trusses and truss systems, see **ANSI/TPI1 Quality Criteria and DSB-22** available from Truss Plate Institute (www.tpinst.org) and **BCSI Building Component Safety Information** available from the Structural Building Component Association (www.sbcsccomponents.com)

MiTek®

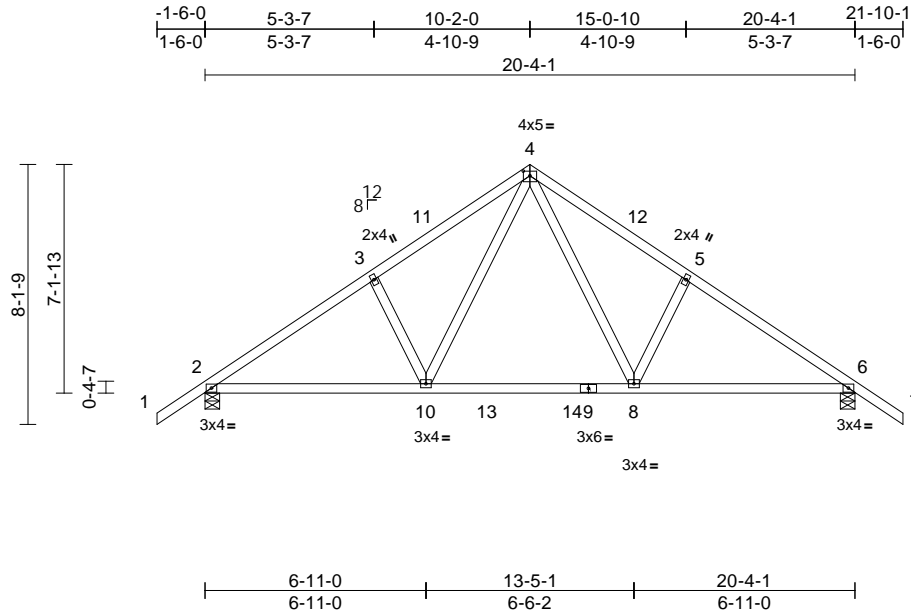
400 Sunrise Ave., Suite 270
 Roseville, CA 95661
 916.755.3571 / MiTek-US.com

Job 5134298 Bid	Truss C01	Truss Type Common	Qty 1	Ply 1	Job Reference (optional)	R91546200
--------------------	--------------	----------------------	----------	----------	--------------------------	-----------

Builders FirstSource (Arlington, WA), Arlington, WA - 98223,

Run: 8.83 S Sep 3 2025 Print: 8.830 S Sep 3 2025 MiTek Industries, Inc. Wed Dec 03 13:41:54
ID:yvizardPAgwMJhMEx_EiD6tqyEKbX-RfC?PsB70Hq3NSgPqnL8w3uITXbGKWrCDoi7J4zJC?f

Page: 1



Scale = 1:72.1

Plate Offsets (X, Y): [4:0-2-8,0-1-12]

Loading	(psf)	Spacing	2-0-0	CSI	DEFL	in	(loc)	l/defl	L/d	PLATES	GRIP	
TCLL (roof)	25.0	Plate Grip DOL	1.15	TC	0.29	Vert(LL)	-0.08	8-10	>999	240	MT20	185/148
TCDL	7.0	Lumber DOL	1.15	BC	0.47	Vert(CT)	-0.12	8-10	>999	180		
BCLL	0.0*	Rep Stress Incr	YES	WB	0.11	Horz(CT)	0.03	6	n/a	n/a		
BCDL	10.0	Code	IRC2021/TPI2014	Matrix-SH							Weight: 82 lb	FT = 10%

LUMBER

TOP CHORD 2x4 HF No.2
BOT CHORD 2x4 HF No.2
WEBS 2x4 HF No.2

5) Provide mechanical connection (by others) of truss to bearing plate capable of withstanding 42 lb uplift at joint 2 and 42 lb uplift at joint 6.

LOAD CASE(S) Standard

BRACING

TOP CHORD Structural wood sheathing directly applied or 4-10-9 oc purlins.
BOT CHORD Rigid ceiling directly applied or 10-0-0 oc bracing.

REACTIONS

(size) 2=0-5-8, 6=0-5-8
Max Horiz 2=131 (LC 11)
Max Uplift 2=42 (LC 12), 6=42 (LC 13)
Max Grav 2=1002 (LC 19), 6=1002 (LC 20)

FORCES

(lb) - Maximum Compression/Maximum Tension
TOP CHORD 1-2=0/53, 2-3=-1241/34, 3-4=-1133/77, 4-5=-1133/77, 5-6=-1241/34, 6-7=0/53
BOT CHORD 2-10=-38/1045, 8-10=0/692, 6-8=0/969
WEBS 4-8=-43/558, 5-8=-278/132, 4-10=-43/557, 3-10=-278/132

NOTES

- Unbalanced roof live loads have been considered for this design.
- Wind: ASCE 7-16; Vult=110mph (3-second gust) Vasd=87mph; TC DL=4.2psf; BCDL=6.0psf; h=25ft; Cat. II; Exp B; Enclosed; MWFRS (envelope) exterior zone and C-C Exterior(2E) -1-6-0 to 1-6-0, Interior (1) 1-6-0 to 10-2-0, Exterior(2R) 10-2-0 to 13-2-0, Interior (1) 13-2-0 to 21-10-1 zone; cantilever left and right exposed; end vertical left and right exposed; C-C for members and forces & MWFRS for reactions shown; Lumber DOL=1.60 plate grip DOL=1.60
- This truss has been designed for a 10.0 psf bottom chord live load nonconcurrent with any other live loads.
- * This truss has been designed for a live load of 20.0psf on the bottom chord in all areas where a rectangle 3-06-00 tall by 2-00-00 wide will fit between the bottom chord and any other members, with BCDL = 10.0psf.



December 4, 2025

WARNING - Verify design parameters and READ NOTES ON THIS AND INCLUDED MITEK REFERENCE PAGE MII-7473 rev. 1/2/2023 BEFORE USE.

Design valid for use only with MiTek® connectors. This design is based only upon parameters shown, and is for an individual building component, not a truss system. Before use, the building designer must verify the applicability of design parameters and properly incorporate this design into the overall building design. Bracing indicated is to prevent buckling of individual truss web and/or chord members only. Additional temporary and permanent bracing is always required for stability and to prevent collapse with possible personal injury and property damage. For general guidance regarding the fabrication, storage, delivery, erection and bracing of trusses and truss systems, see **ANSI/TPI1 Quality Criteria and DSB-22** available from Truss Plate Institute (www.tpinst.org) and **BCSI Building Component Safety Information** available from the Structural Building Component Association (www.sbcsccomponents.com)

MiTek®

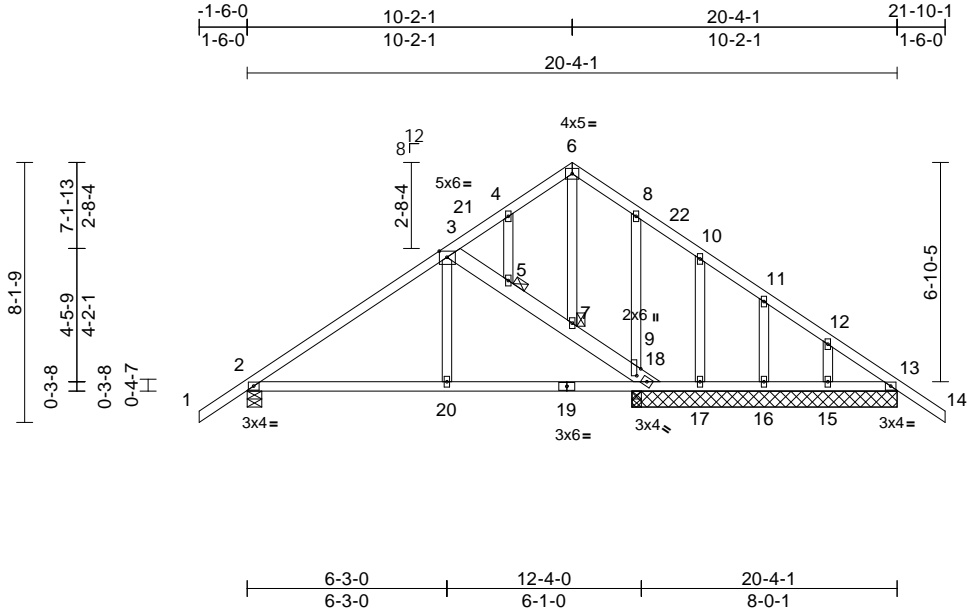
400 Sunrise Ave., Suite 270
Roseville, CA 95661
916.755.3571 / MiTek-US.com

Job 5134298 Bid	Truss C02	Truss Type Common Structural Gable	Qty 1	Ply 1	Job Reference (optional)	R91546201
--------------------	--------------	---------------------------------------	----------	----------	--------------------------	-----------

Builders FirstSource (Arlington, WA), Arlington, WA - 98223,

Run: 8.83 S Sep 3 2025 Print: 8.830 S Sep 3 2025 MiTek Industries, Inc. Wed Dec 03 13:41:54
ID:U7zSbuXYbT7q?JJ7hEg?KFyEKUc-RfC?PsB70Hq3NSgPqnL8w3ulTXbGKWrCDoi7J4zJC?f

Page: 1



Scale = 1:72.1

Plate Offsets (X, Y): [3:0-2-14,Edge], [9:0-2-9,0-1-8]

Loading	(psf)	Spacing	2-0-0	CSI	DEFL	in	(loc)	l/defl	L/d	PLATES	GRIP	
TCLL (roof)	25.0	Plate Grip DOL	1.15	TC	0.40	Vert(LL)	-0.03	2-20	>999	240	MT20	185/148
TCDL	7.0	Lumber DOL	1.15	BC	0.28	Vert(CT)	-0.07	2-20	>999	180		
BCLL	0.0*	Rep Stress Incr	YES	WB	0.07	Horz(CT)	0.01	13	n/a	n/a		
BCDL	10.0	Code	IRC2021/TPI2014	Matrix-SH								
											Weight: 101 lb	FT = 10%

LUMBER

TOP CHORD 2x4 HF No.2 *Except* 3-18:2x6 DF No.2
 BOT CHORD 2x4 HF No.2
 WEBS 2x4 HF No.2
 OTHERS 2x4 HF No.2

BRACING

TOP CHORD Structural wood sheathing directly applied or 6-0-0 oc purlins.
 BOT CHORD Rigid ceiling directly applied or 6-0-0 oc bracing.
 JOINTS 1 Brace at Jt(s): 7, 5

REACTIONS

(size) 2=0-5-8, 13=8-3-9, 15=8-3-9, 16=8-3-9, 17=8-3-9, 18=8-3-9
 Max Horiz 2=131 (LC 11)
 Max Uplift 2=-26 (LC 12), 15=-27 (LC 13), 16=-33 (LC 13), 17=-56 (LC 13), 18=-26 (LC 12)
 Max Grav 2=620 (LC 1), 13=223 (LC 26), 15=146 (LC 20), 16=180 (LC 1), 17=146 (LC 26), 18=590 (LC 1)

FORCES

(lb) - Maximum Compression/Maximum Tension
 TOP CHORD 1-2=0/53, 2-3=-605/0, 3-4=-75/46, 4-6=-54/54, 6-8=-63/47, 8-10=-52/32, 10-11=-59/47, 11-12=-90/73, 12-13=-133/99, 13-14=0/51, 3-5=-425/73, 5-7=-474/96, 7-9=-528/100, 9-18=-527/89
 BOT CHORD 2-20=-9/435, 18-20=-10/432, 17-18=-107/149, 16-17=-107/149, 15-16=-107/149, 13-15=-107/149
 WEBS 6-7=-99/6, 4-5=-91/42, 8-9=-155/52, 10-17=-120/64, 11-16=-133/59, 12-15=-119/58, 3-20=0/260

NOTES

1) Unbalanced roof live loads have been considered for this design.

- 2) Wind: ASCE 7-16; Vult=110mph (3-second gust) Vasd=87mph; TC DL=4.2psf; BCDL=6.0psf; h=25ft; Cat. II; Exp B; Enclosed; MWFRS (envelope) exterior zone and C-C Exterior(2E) -1-6-0 to 1-6-0, Interior (1) 1-6-0 to 10-2-1, Exterior(2R) 10-2-1 to 13-2-1, Interior (1) 13-2-1 to 21-10-1 zone; cantilever left and right exposed; end vertical left and right exposed; C-C for members and forces & MWFRS for reactions shown; Lumber DOL=1.60 plate grip DOL=1.60
- 3) Truss designed for wind loads in the plane of the truss only. For studs exposed to wind (normal to the face), see Standard Industry Gable End Details as applicable, or consult qualified building designer as per ANSI/TPI 1.
- 4) All plates are 2x4 (||) MT20 unless otherwise indicated.
- 5) Gable studs spaced at 2-0-0 oc.
- 6) This truss has been designed for a 10.0 psf bottom chord live load nonconcurrent with any other live loads.
- 7) * This truss has been designed for a live load of 20.0psf on the bottom chord in all areas where a rectangle 3-06-00 tall by 2-00-00 wide will fit between the bottom chord and any other members.
- 8) Provide mechanical connection (by others) of truss to bearing plate capable of withstanding 26 lb uplift at joint 18, 56 lb uplift at joint 17, 33 lb uplift at joint 16, 27 lb uplift at joint 15 and 26 lb uplift at joint 2.
- 9) Graphical purlin representation does not depict the size or the orientation of the purlin along the top and/or bottom chord.

LOAD CASE(S) Standard



December 4, 2025

WARNING - Verify design parameters and READ NOTES ON THIS AND INCLUDED MITEK REFERENCE PAGE MII-7473 rev. 1/2/2023 BEFORE USE.

Design valid for use only with MiTek® connectors. This design is based only upon parameters shown, and is for an individual building component, not a truss system. Before use, the building designer must verify the applicability of design parameters and properly incorporate this design into the overall building design. Bracing indicated is to prevent buckling of individual truss web and/or chord members only. Additional temporary and permanent bracing is always required for stability and to prevent collapse with possible personal injury and property damage. For general guidance regarding the fabrication, storage, delivery, erection and bracing of trusses and truss systems, see **ANSI/TPI1 Quality Criteria and DSB-22** available from Truss Plate Institute (www.tpinst.org) and **BCSI Building Component Safety Information** available from the Structural Building Component Association (www.sbcsccomponents.com)

MiTek®

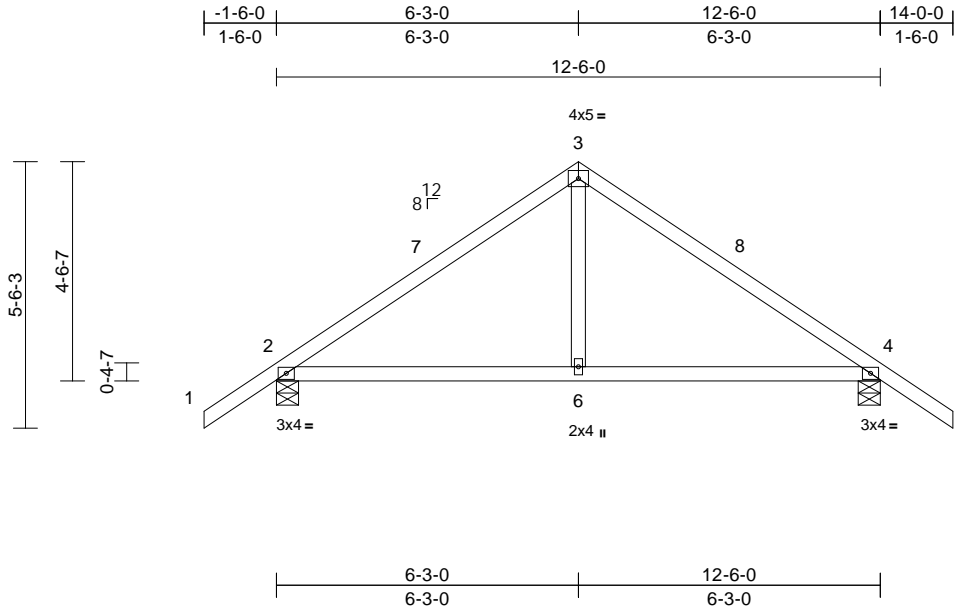
400 Sunrise Ave., Suite 270
 Roseville, CA 95661
 916.755.3571 / MiTek-US.com

Job 5134298 Bid	Truss D01	Truss Type Common	Qty 1	Ply 1	Job Reference (optional) R91546202
--------------------	--------------	----------------------	----------	----------	---------------------------------------

Builders FirstSource (Arlington, WA), Arlington, WA - 98223,

Run: 8.83 S Sep 3 2025 Print: 8.830 S Sep 3 2025 MiTek Industries, Inc. Wed Dec 03 13:41:55
ID:jbVQw9RXT?7z25hbDYX?ZyEKUk-RfC?PsB70Hq3NSgPqnL8w3uITXbGKWRCDoi7J4zJC?f

Page: 1



Loading	(psf)	Spacing	2-0-0	CSI	DEFL	in	(loc)	l/defl	L/d	PLATES	GRIP	
TCLL (roof)	25.0	Plate Grip DOL	1.15	TC	0.44	Vert(LL)	-0.04	2-6	>999	240	MT20	185/148
TCDL	7.0	Lumber DOL	1.15	BC	0.32	Vert(CT)	-0.08	2-6	>999	180		
BCLL	0.0*	Rep Stress Incr	YES	WB	0.05	Horz(CT)	0.01	4	n/a	n/a		
BCDL	10.0	Code	IRC2021/TPI2014	Matrix-SH							Weight: 41 lb	FT = 10%

LUMBER

TOP CHORD 2x4 HF No.2
BOT CHORD 2x4 HF No.2
WEBS 2x4 HF No.2

- 5) Provide mechanical connection (by others) of truss to bearing plate capable of withstanding 36 lb uplift at joint 2 and 36 lb uplift at joint 4.

LOAD CASE(S) Standard

BRACING

TOP CHORD Structural wood sheathing directly applied or 6-0-0 oc purlins.
BOT CHORD Rigid ceiling directly applied or 10-0-0 oc bracing.

REACTIONS

(size) 2=0-5-8, 4=0-5-8
Max Horiz 2=-87 (LC 10)
Max Uplift 2=-36 (LC 12), 4=-36 (LC 13)
Max Grav 2=616 (LC 1), 4=616 (LC 1)

FORCES

(lb) - Maximum Compression/Maximum Tension

TOP CHORD 1-2=0/53, 2-3=-594/51, 3-4=-594/51, 4-5=0/53
BOT CHORD 2-6=0/394, 4-6=0/394
WEBS 3-6=0/283

NOTES

- Unbalanced roof live loads have been considered for this design.
- Wind: ASCE 7-16; Vult=110mph (3-second gust) Vasd=87mph; TCDL=4.2psf; BCDL=6.0psf; h=25ft; Cat. II; Exp B; Enclosed; MWFRS (envelope) exterior zone and C-C Exterior(2E) -1-6-0 to 1-6-0, Interior (1) 1-6-0 to 6-3-0, Exterior(2R) 6-3-0 to 9-3-0, Interior (1) 9-3-0 to 14-0-0 zone; cantilever left and right exposed; end vertical left and right exposed; C-C for members and forces & MWFRS for reactions shown; Lumber DOL=1.60 plate grip DOL=1.60
- This truss has been designed for a 10.0 psf bottom chord live load nonconcurrent with any other live loads.
- * This truss has been designed for a live load of 20.0psf on the bottom chord in all areas where a rectangle 3-06-00 tall by 2-00-00 wide will fit between the bottom chord and any other members.



December 4, 2025

WARNING - Verify design parameters and READ NOTES ON THIS AND INCLUDED MITEK REFERENCE PAGE MII-7473 rev. 1/2/2023 BEFORE USE.

Design valid for use only with MiTek® connectors. This design is based only upon parameters shown, and is for an individual building component, not a truss system. Before use, the building designer must verify the applicability of design parameters and properly incorporate this design into the overall building design. Bracing indicated is to prevent buckling of individual truss web and/or chord members only. Additional temporary and permanent bracing is always required for stability and to prevent collapse with possible personal injury and property damage. For general guidance regarding the fabrication, storage, delivery, erection and bracing of trusses and truss systems, see **ANSI/TPI1 Quality Criteria and DSB-22** available from Truss Plate Institute (www.tpinst.org) and **BCSI Building Component Safety Information** available from the Structural Building Component Association (www.sbcsccomponents.com)

MiTek®

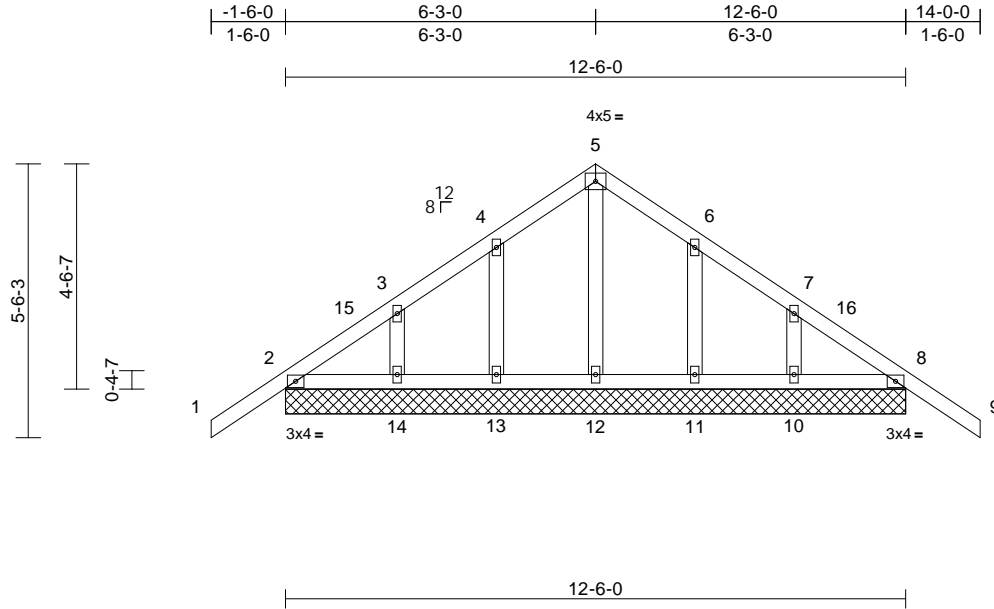
400 Sunrise Ave., Suite 270
Roseville, CA 95661
916.755.3571 / MiTek-US.com

Job 5134298 Bid	Truss D02	Truss Type Common Supported Gable	Qty 1	Ply 1	Job Reference (optional) R91546203
--------------------	--------------	--------------------------------------	----------	----------	---------------------------------------

Builders FirstSource (Arlington, WA), Arlington, WA - 98223,

Run: 8.83 S Sep 3 2025 Print: 8.830 S Sep 3 2025 MiTek Industries, Inc. Wed Dec 03 13:41:55
ID:MvDyRFa3ehdGUxcuw4kxV5yEKUY-RfC?PsB70Hq3NSgPqnL8w3uITXbGKWRCDoi7J4zJC?f

Page: 1



Loading	(psf)	Spacing	2-0-0	CSI	DEFL	in	(loc)	l/defl	L/d	PLATES	GRIP	
TCLL (roof)	25.0	Plate Grip DOL	1.15	TC	0.15	Vert(LL)	n/a	-	n/a	999	MT20	185/148
TCDL	7.0	Lumber DOL	1.15	BC	0.05	Vert(CT)	n/a	-	n/a	999		
BCLL	0.0*	Rep Stress Incr	YES	WB	0.03	Horz(CT)	0.00	8	n/a	n/a		
BCDL	10.0	Code	IRC2021/TPI2014	Matrix-SH							Weight: 51 lb	FT = 10%

LUMBER
TOP CHORD 2x4 HF No.2
BOT CHORD 2x4 HF No.2
OTHERS 2x4 HF No.2

BRACING
TOP CHORD Structural wood sheathing directly applied or 6-0-0 oc purlins.
BOT CHORD Rigid ceiling directly applied or 10-0-0 oc bracing.

REACTIONS (size)
2=12-6-0, 8=12-6-0, 10=12-6-0,
11=12-6-0, 12=12-6-0, 13=12-6-0,
14=12-6-0
Max Horiz 2=-87 (LC 10)
Max Uplift 2=-13 (LC 13), 8=-23 (LC 13),
10=-25 (LC 13), 11=-41 (LC 13),
13=-41 (LC 12), 14=-25 (LC 12)
Max Grav 2=223 (LC 1), 8=223 (LC 1),
10=151 (LC 20), 11=183 (LC 26),
12=139 (LC 22), 13=183 (LC 25),
14=151 (LC 19)

FORCES (lb) - Maximum Compression/Maximum Tension
TOP CHORD 1-2=0/51, 2-3=-87/56, 3-4=-69/51,
4-5=-62/108, 5-6=-59/108, 6-7=-51/51,
7-8=-65/29, 8-9=0/51
BOT CHORD 2-14=-33/95, 13-14=-33/95, 12-13=-33/95,
11-12=-33/95, 10-11=-33/95, 8-10=-33/95
WEBS 5-12=-99/8, 4-13=-140/87, 3-14=-122/79,
6-11=-140/87, 7-10=-122/80

NOTES
1) Unbalanced roof live loads have been considered for this design.

- Wind: ASCE 7-16; Vult=110mph (3-second gust)
Vasd=87mph; TC DL=4.2psf; BC DL=6.0psf; h=25ft; Cat. II; Exp B; Enclosed; MWFRS (envelope) exterior zone and C-C Corner(3E) -1-6-0 to 1-6-0, Exterior(2N) 1-6-0 to 6-3-0, Corner(3R) 6-3-0 to 9-3-0, Exterior(2N) 9-3-0 to 14-0-0 zone; cantilever left and right exposed; end vertical left and right exposed; C-C for members and forces & MWFRS for reactions shown; Lumber DOL=1.60 plate grip DOL=1.60
- Truss designed for wind loads in the plane of the truss only. For studs exposed to wind (normal to the face), see Standard Industry Gable End Details as applicable, or consult qualified building designer as per ANSI/TPI 1.
- All plates are 2x4 (||) MT20 unless otherwise indicated.
- Gable requires continuous bottom chord bearing.
- Gable studs spaced at 2-0-0 oc.
- This truss has been designed for a 10.0 psf bottom chord live load nonconcurrent with any other live loads.
- * This truss has been designed for a live load of 20.0psf on the bottom chord in all areas where a rectangle 3-06-00 tall by 2-00-00 wide will fit between the bottom chord and any other members.
- Provide mechanical connection (by others) of truss to bearing plate capable of withstanding 13 lb uplift at joint 2, 23 lb uplift at joint 8, 41 lb uplift at joint 13, 25 lb uplift at joint 14, 41 lb uplift at joint 11 and 25 lb uplift at joint 10.

LOAD CASE(S) Standard



December 4, 2025

WARNING - Verify design parameters and READ NOTES ON THIS AND INCLUDED MITEK REFERENCE PAGE MII-7473 rev. 1/2/2023 BEFORE USE.

Design valid for use only with MiTek® connectors. This design is based only upon parameters shown, and is for an individual building component, not a truss system. Before use, the building designer must verify the applicability of design parameters and properly incorporate this design into the overall building design. Bracing indicated is to prevent buckling of individual truss web and/or chord members only. Additional temporary and permanent bracing is always required for stability and to prevent collapse with possible personal injury and property damage. For general guidance regarding the fabrication, storage, delivery, erection and bracing of trusses and truss systems, see **ANSI/TPI1 Quality Criteria and DSB-22** available from Truss Plate Institute (www.tpinst.org) and **BCSI Building Component Safety Information** available from the Structural Building Component Association (www.sbcscomponents.com)

MiTek®

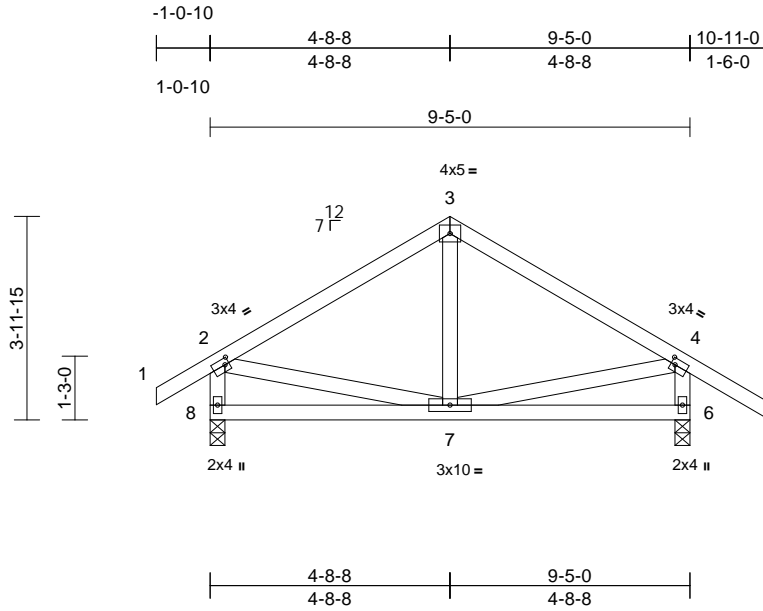
400 Sunrise Ave., Suite 270
Roseville, CA 95661
916.755.3571 / MiTek-US.com

Job	Truss	Truss Type	Qty	Ply	Job Reference (optional)	R91546204
5134298 Bid	E01	Common	1	1		

Builders FirstSource (Arlington, WA), Arlington, WA - 98223,

Run: 8.83 S Sep 3 2025 Print: 8.830 S Sep 3 2025 MiTek Industries, Inc. Wed Dec 03 13:41:55
ID:nUv54Hcxco0rL0LTbCle6jyEKUV-RfC?PsB70Hq3NSgPqnL8w3uITXbGKWrCDoi7J4zJC?f

Page: 1



Scale = 1:45.2

Plate Offsets (X, Y): [2:0-1-0,0-1-8], [4:0-1-0,0-1-8]

Loading	(psf)	Spacing	2-0-0	CSI	DEFL	in	(loc)	l/defl	L/d	PLATES	GRIP	
TCLL (roof)	25.0	Plate Grip DOL	1.15	TC	0.24	Vert(LL)	-0.01	6-7	>999	240	MT20	185/148
TCDL	7.0	Lumber DOL	1.15	BC	0.16	Vert(CT)	-0.02	6-7	>999	180		
BCLL	0.0*	Rep Stress Incr	YES	WB	0.04	Horz(CT)	0.00	6	n/a	n/a		
BCDL	10.0	Code	IRC2021/TPI2014	Matrix-SH							Weight: 43 lb	FT = 10%

LUMBER

TOP CHORD 2x4 HF No.2
BOT CHORD 2x4 HF No.2
WEBS 2x4 HF No.2

5) Provide mechanical connection (by others) of truss to bearing plate capable of withstanding 24 lb uplift at joint 8 and 32 lb uplift at joint 6.

LOAD CASE(S) Standard

BRACING

TOP CHORD Structural wood sheathing directly applied or 6-0-0 oc purlins, except end verticals.
BOT CHORD Rigid ceiling directly applied or 10-0-0 oc bracing.

REACTIONS (size) 6=0-3-8, 8=0-3-8

Max Horiz 8=-84 (LC 10)
Max Uplift 6=-32 (LC 13), 8=-24 (LC 12)
Max Grav 6=493 (LC 1), 8=456 (LC 1)

FORCES (lb) - Maximum Compression/Maximum Tension

TOP CHORD 1-2=0/39, 2-3=-365/63, 3-4=-366/63,
4-5=0/53, 2-8=-414/120, 4-6=-452/140
BOT CHORD 7-8=-70/143, 6-7=-18/73
WEBS 3-7=0/148, 2-7=-1/175, 4-7=-2/200

NOTES

- 1) Unbalanced roof live loads have been considered for this design.
- 2) Wind: ASCE 7-16; Vult=110mph (3-second gust) Vasd=87mph; TC DL=4.2psf; BCDL=6.0psf; h=25ft; Cat. II; Exp B; Enclosed; MWFRS (envelope) exterior zone and C-C Exterior(2E) -1-0-10 to 1-11-6, Interior (1) 1-11-6 to 4-8-8, Exterior(2R) 4-8-8 to 7-8-8, Interior (1) 7-8-8 to 10-11-0 zone; cantilever left and right exposed; end vertical left and right exposed; C-C for members and forces & MWFRS for reactions shown; Lumber DOL=1.60 plate grip DOL=1.60
- 3) This truss has been designed for a 10.0 psf bottom chord live load nonconcurrent with any other live loads.
- 4) * This truss has been designed for a live load of 20.0psf on the bottom chord in all areas where a rectangle 3-06-00 tall by 2-00-00 wide will fit between the bottom chord and any other members.



December 4, 2025

WARNING - Verify design parameters and READ NOTES ON THIS AND INCLUDED MITEK REFERENCE PAGE MII-7473 rev. 1/2/2023 BEFORE USE.

Design valid for use only with MiTek® connectors. This design is based only upon parameters shown, and is for an individual building component, not a truss system. Before use, the building designer must verify the applicability of design parameters and properly incorporate this design into the overall building design. Bracing indicated is to prevent buckling of individual truss web and/or chord members only. Additional temporary and permanent bracing is always required for stability and to prevent collapse with possible personal injury and property damage. For general guidance regarding the fabrication, storage, delivery, erection and bracing of trusses and truss systems, see **ANSI/TPI1 Quality Criteria and DSB-22** available from Truss Plate Institute (www.tpinst.org) and **BCSI Building Component Safety Information** available from the Structural Building Component Association (www.sbcsccomponents.com)

MiTek®

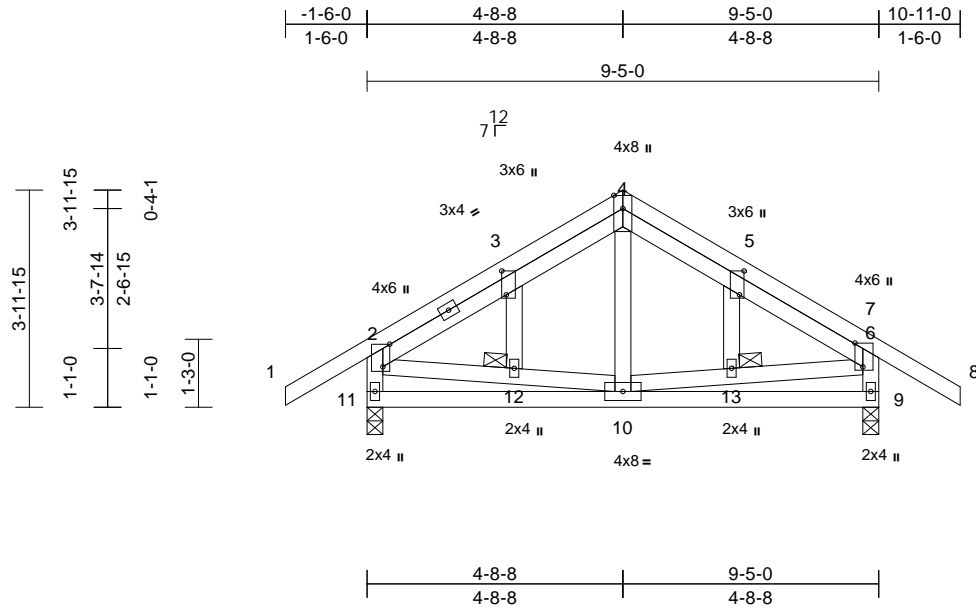
400 Sunrise Ave., Suite 270
Roseville, CA 95661
916.755.3571 / MiTek-US.com

Job 5134298 Bid	Truss E02	Truss Type Common	Qty 1	Ply 1	Job Reference (optional)	R91546205
--------------------	--------------	----------------------	----------	----------	--------------------------	-----------

Builders FirstSource (Arlington, WA), Arlington, WA - 98223,

Run: 8.83 S Sep 3 2025 Print: 8.830 S Sep 3 2025 MiTek Industries, Inc. Wed Dec 03 13:41:55
ID: jY7ZmDTrS7qvl9hwhvY3yUyEKTP-RfC?PsB70Hq3NSgPqnL8w3uITxbGKWrCDoi7J4zJC?f

Page: 1



Scale = 1:42.4

Plate Offsets (X, Y): [2:0-5-0,0-1-8], [3:0-5-4,0-1-0], [5:0-5-4,0-1-0], [7:0-5-4,0-1-12]

Loading	(psf)	Spacing	2-0-0	CSI	DEFL	in	(loc)	l/defl	L/d	PLATES	GRIP	
TCLL (roof)	25.0	Plate Grip DOL	1.15	TC	0.18	Vert(LL)	-0.01	9-10	>999	240	MT20	185/148
TCDL	7.0	Lumber DOL	1.15	BC	0.16	Vert(CT)	-0.02	9-10	>999	180		
BCLL	0.0*	Rep Stress Incr	YES	WB	0.08	Horz(CT)	0.00	9	n/a	n/a		
BCDL	10.0	Code	IRC2021/TPI2014	Matrix-SH							Weight: 59 lb	FT = 10%

LUMBER
TOP CHORD 2x4 HF No.2
BOT CHORD 2x4 HF No.2
WEBS 2x4 HF No.2
OTHERS 2x4 HF No.2

BRACING
TOP CHORD Structural wood sheathing directly applied or 6-0-0 oc purlins, except end verticals.
BOT CHORD Rigid ceiling directly applied or 10-0-0 oc bracing.
JOINTS 1 Brace at Jt(s): 12, 13

REACTIONS (size) 9=0-3-8, 11=0-3-8
Max Horiz 11=79 (LC 11)
Max Uplift 9=-32 (LC 13), 11=-32 (LC 12)
Max Grav 9=489 (LC 1), 11=489 (LC 1)

FORCES (lb) - Maximum Compression/Maximum Tension
TOP CHORD 1-2=0/44, 2-3=-375/48, 3-4=-292/61, 4-5=-293/63, 5-6=-374/50, 6-7=-105/60, 7-8=0/53, 2-11=-445/138, 6-9=-447/137
BOT CHORD 10-11=-50/100, 9-10=-2/55
WEBS 4-10=0/153, 2-12=0/214, 10-12=0/214, 10-13=0/204, 6-13=0/205, 3-12=-9/10, 5-13=-10/9

NOTES
1) Unbalanced roof live loads have been considered for this design.
2) Wind: ASCE 7-16; Vult=110mph (3-second gust) Vasd=87mph; TC DL=4.2psf; BCDL=6.0psf; h=25ft; Cat. II; Exp B; Enclosed; MWFRS (envelope) exterior zone and C-C Exterior(2E) -1-6-0 to 1-6-0, Interior (1) 1-6-0 to 4-8-8, Exterior(2R) 4-8-8 to 7-8-8, Interior (1) 7-8-8 to 10-11-0 zone; cantilever left and right exposed; end vertical left and right exposed; C-C for members and forces & MWFRS for reactions shown; Lumber DOL=1.60 plate grip DOL=1.60

- Truss designed for wind loads in the plane of the truss only. For studs exposed to wind (normal to the face), see Standard Industry Gable End Details as applicable, or consult qualified building designer as per ANSI/TPI 1.
 - Truss to be fully sheathed from one face or securely braced against lateral movement (i.e. diagonal web).
 - Gable studs spaced at 2-0-0 oc.
 - This truss has been designed for a 10.0 psf bottom chord live load nonconcurrent with any other live loads.
 - * This truss has been designed for a live load of 20.0psf on the bottom chord in all areas where a rectangle 3-06-00 tall by 2-00-00 wide will fit between the bottom chord and any other members.
 - Provide mechanical connection (by others) of truss to bearing plate capable of withstanding 32 lb uplift at joint 11 and 32 lb uplift at joint 9.
- LOAD CASE(S)** Standard



December 4, 2025

WARNING - Verify design parameters and READ NOTES ON THIS AND INCLUDED MITEK REFERENCE PAGE MII-7473 rev. 1/2/2023 BEFORE USE.

Design valid for use only with MiTek® connectors. This design is based only upon parameters shown, and is for an individual building component, not a truss system. Before use, the building designer must verify the applicability of design parameters and properly incorporate this design into the overall building design. Bracing indicated is to prevent buckling of individual truss web and/or chord members only. Additional temporary and permanent bracing is always required for stability and to prevent collapse with possible personal injury and property damage. For general guidance regarding the fabrication, storage, delivery, erection and bracing of trusses and truss systems, see **ANSI/TPI1 Quality Criteria and DSB-22** available from Truss Plate Institute (www.tpinst.org) and **BCSI Building Component Safety Information** available from the Structural Building Component Association (www.sbcsccomponents.com)

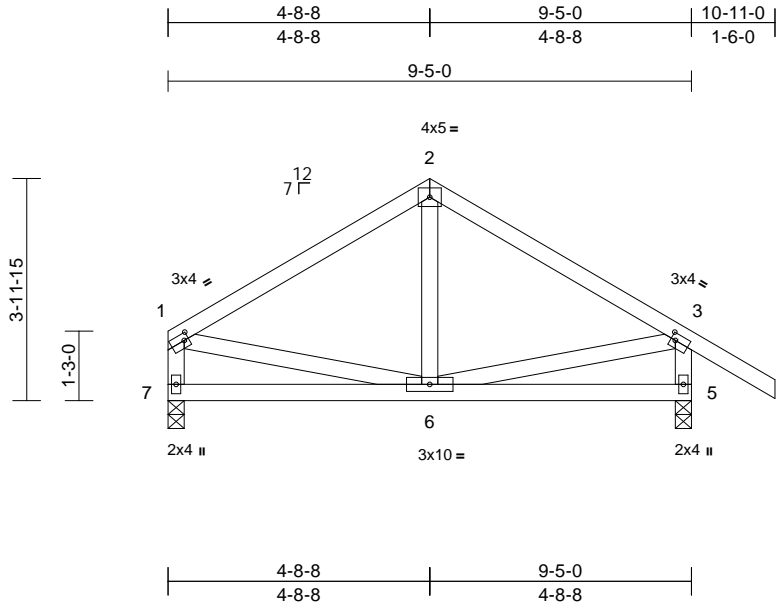
MiTek®
400 Sunrise Ave., Suite 270
Roseville, CA 95661
916.755.3571 / MiTek-US.com

Job	Truss	Truss Type	Qty	Ply	Job Reference (optional)	R91546206
5134298 Bid	E03	Common	2	1		

Builders FirstSource (Arlington, WA), Arlington, WA - 98223,

Run: 8.83 S Sep 3 2025 Print: 8.830 S Sep 3 2025 MiTek Industries, Inc. Wed Dec 03 13:41:56
ID:vKq8eooPsmX6SqJkn2d4OyEKSz-RfC?PsB70Hq3NSgPqnL8w3uITxbGKwRCDoi7J4zJC?f

Page: 1



Scale = 1:41.4

Plate Offsets (X, Y): [1:0-1-0,0-1-8], [3:0-1-0,0-1-8]

Loading	(psf)	Spacing	2-0-0	CSI	DEFL	in	(loc)	l/defl	L/d	PLATES	GRIP	
TCLL (roof)	25.0	Plate Grip DOL	1.15	TC	0.25	Vert(LL)	-0.01	6-7	>999	240	MT20	185/148
TCDL	7.0	Lumber DOL	1.15	BC	0.16	Vert(CT)	-0.02	5-6	>999	180		
BCLL	0.0*	Rep Stress Incr	YES	WB	0.04	Horz(CT)	0.00	5	n/a	n/a		
BCDL	10.0	Code	IRC2021/TPI2014	Matrix-SH							Weight: 42 lb	FT = 10%

LUMBER

TOP CHORD 2x4 HF No.2
BOT CHORD 2x4 HF No.2
WEBS 2x4 HF No.2

5) Provide mechanical connection (by others) of truss to bearing plate capable of withstanding 8 lb uplift at joint 7 and 31 lb uplift at joint 5.

LOAD CASE(S) Standard

BRACING

TOP CHORD Structural wood sheathing directly applied or 6-0-0 oc purlins, except end verticals.
BOT CHORD Rigid ceiling directly applied or 10-0-0 oc bracing.

REACTIONS (size) 5=0-3-8, 7=0-3-8

Max Horiz 7=-81 (LC 8)
Max Uplift 5=-31 (LC 13), 7=-8 (LC 12)
Max Grav 5=498 (LC 1), 7=374 (LC 1)

FORCES (lb) - Maximum Compression/Maximum Tension

TOP CHORD 1-2=-368/62, 2-3=-374/65, 3-4=0/53,
1-7=-332/75, 3-5=-457/140
BOT CHORD 6-7=-59/133, 5-6=-17/71
WEBS 2-6=0/147, 1-6=0/181, 3-6=-2/210

NOTES

- 1) Unbalanced roof live loads have been considered for this design.
- 2) Wind: ASCE 7-16; Vult=110mph (3-second gust) Vasd=87mph; TC DL=4.2psf; BCDL=6.0psf; h=25ft; Cat. II; Exp B; Enclosed; MWFRS (envelope) exterior zone and C-C Exterior(2E) 0-1-12 to 3-1-12, Interior (1) 3-1-12 to 4-8-8, Exterior(2R) 4-8-8 to 7-8-8, Interior (1) 7-8-8 to 10-11-0 zone; cantilever left and right exposed; end vertical left and right exposed; C-C for members and forces & MWFRS for reactions shown; Lumber DOL=1.60 plate grip DOL=1.60
- 3) This truss has been designed for a 10.0 psf bottom chord live load nonconcurrent with any other live loads.
- 4) * This truss has been designed for a live load of 20.0psf on the bottom chord in all areas where a rectangle 3-06-00 tall by 2-00-00 wide will fit between the bottom chord and any other members.



December 4, 2025

WARNING - Verify design parameters and READ NOTES ON THIS AND INCLUDED MITEK REFERENCE PAGE MII-7473 rev. 1/2/2023 BEFORE USE.

Design valid for use only with MiTek® connectors. This design is based only upon parameters shown, and is for an individual building component, not a truss system. Before use, the building designer must verify the applicability of design parameters and properly incorporate this design into the overall building design. Bracing indicated is to prevent buckling of individual truss web and/or chord members only. Additional temporary and permanent bracing is always required for stability and to prevent collapse with possible personal injury and property damage. For general guidance regarding the fabrication, storage, delivery, erection and bracing of trusses and truss systems, see **ANSI/TPI1 Quality Criteria and DSB-22** available from Truss Plate Institute (www.tpinst.org) and **BCSI Building Component Safety Information** available from the Structural Building Component Association (www.sbcsccomponents.com)

MiTek®

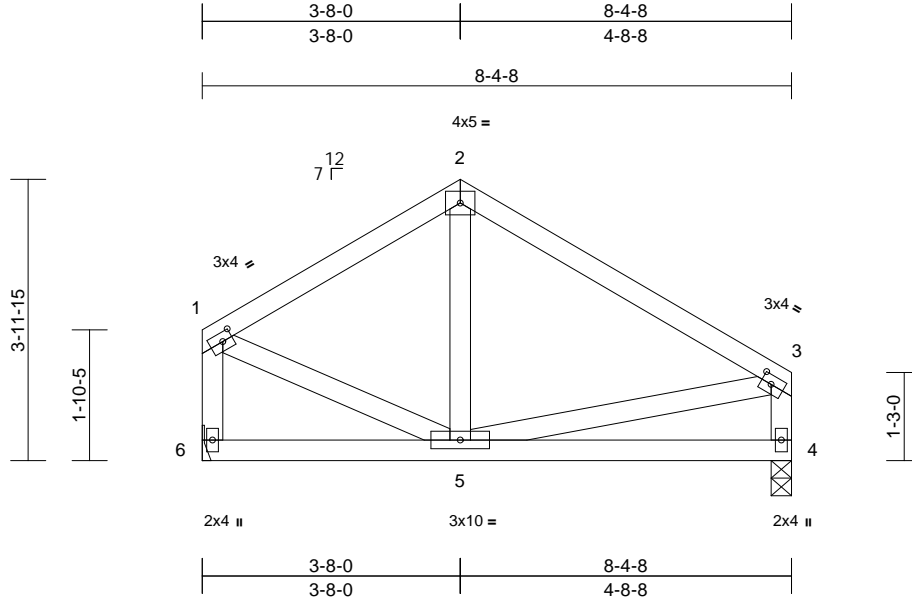
400 Sunrise Ave., Suite 270
Roseville, CA 95661
916.755.3571 / MiTek-US.com

Job	Truss	Truss Type	Qty	Ply	Job Reference (optional)	R91546207
5134298 Bid	E04	Common	1	1		

Builders FirstSource (Arlington, WA), Arlington, WA - 98223,

Run: 8.83 S Sep 3 2025 Print: 8.830 S Sep 3 2025 MiTek Industries, Inc. Wed Dec 03 13:41:56
 ID:JvVHGprl9ekWzwt?wckl0yEKSw-RfC?PsB70Hq3NSgPqnL8w3uITxbGKWrCDoi7J4zJC?f

Page: 1



Scale = 1:32.7

Plate Offsets (X, Y): [1:0-1-12,0-1-8], [3:0-1-12,0-1-8]

Loading	(psf)	Spacing	2-0-0	CSI	DEFL	in	(loc)	l/defl	L/d	PLATES	GRIP	
TCLL (roof)	25.0	Plate Grip DOL	1.15	TC	0.39	Vert(LL)	-0.02	4-5	>999	240	MT20	185/148
TCDL	7.0	Lumber DOL	1.15	BC	0.15	Vert(CT)	-0.03	4-5	>999	180		
BCLL	0.0*	Rep Stress Incr	YES	WB	0.04	Horz(CT)	0.00	4	n/a	n/a		
BCDL	10.0	Code	IRC2021/TPI2014	Matrix-P							Weight: 37 lb	FT = 10%

LUMBER
 TOP CHORD 2x4 HF No.2
 BOT CHORD 2x4 HF No.2
 WEBS 2x4 HF No.2

6) Provide mechanical connection (by others) of truss to bearing plate capable of withstanding 5 lb uplift at joint 6 and 7 lb uplift at joint 4.

LOAD CASE(S) Standard

BRACING
 TOP CHORD Structural wood sheathing directly applied or 6-0-0 oc purlins, except end verticals.
 BOT CHORD Rigid ceiling directly applied or 10-0-0 oc bracing.

REACTIONS (size) 4=0-3-8, 6= Mechanical
 Max Horiz 6=-75 (LC 8)
 Max Uplift 4=-7 (LC 13), 6=-5 (LC 12)
 Max Grav 4=339 (LC 1), 6=339 (LC 1)

FORCES (lb) - Maximum Compression/Maximum Tension
 TOP CHORD 1-2=-270/58, 2-3=-283/48, 1-6=-315/76, 3-4=-302/78
 BOT CHORD 5-6=-64/66, 4-5=-13/14
 WEBS 2-5=-32/107, 1-5=-20/214, 3-5=0/199

- NOTES**
- 1) Unbalanced roof live loads have been considered for this design.
 - 2) Wind: ASCE 7-16; Vult=110mph (3-second gust) Vasd=87mph; TCDL=4.2psf; BCDL=6.0psf; h=25ft; Cat. II; Exp B; Enclosed; MWFRS (envelope) exterior zone and C-C Exterior(2E) 0-1-12 to 3-1-12, Interior (1) 3-1-12 to 3-8-0, Exterior(2R) 3-8-0 to 6-8-0, Interior (1) 6-8-0 to 8-2-12 zone; cantilever left and right exposed; end vertical left and right exposed; C-C for members and forces & MWFRS for reactions shown; Lumber DOL=1.60 plate grip DOL=1.60
 - 3) This truss has been designed for a 10.0 psf bottom chord live load nonconcurrent with any other live loads.
 - 4) * This truss has been designed for a live load of 20.0psf on the bottom chord in all areas where a rectangle 3-06-00 tall by 2-00-00 wide will fit between the bottom chord and any other members.
 - 5) Refer to girder(s) for truss to truss connections.



December 4, 2025

WARNING - Verify design parameters and READ NOTES ON THIS AND INCLUDED MITEK REFERENCE PAGE MII-7473 rev. 1/2/2023 BEFORE USE.

Design valid for use only with MiTek® connectors. This design is based only upon parameters shown, and is for an individual building component, not a truss system. Before use, the building designer must verify the applicability of design parameters and properly incorporate this design into the overall building design. Bracing indicated is to prevent buckling of individual truss web and/or chord members only. Additional temporary and permanent bracing is always required for stability and to prevent collapse with possible personal injury and property damage. For general guidance regarding the fabrication, storage, delivery, erection and bracing of trusses and truss systems, see **ANSI/TPI1 Quality Criteria and DSB-22** available from Truss Plate Institute (www.tpinst.org) and **BCSI Building Component Safety Information** available from the Structural Building Component Association (www.sbcsccomponents.com)

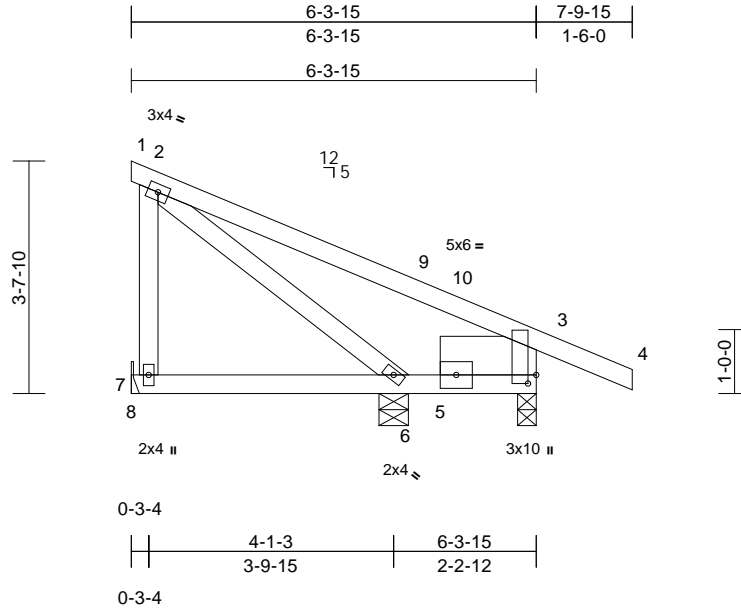
MiTek®
 400 Sunrise Ave., Suite 270
 Roseville, CA 95661
 916.755.3571 / MiTek-US.com

Job 5134298 Bid	Truss G01	Truss Type Roof Special	Qty 4	Ply 1	Job Reference (optional) R91546208
--------------------	--------------	----------------------------	----------	----------	---------------------------------------

Builders FirstSource (Arlington, WA), Arlington, WA - 98223,

Run: 8.83 S Sep 3 2025 Print: 8.830 S Sep 3 2025 MiTek Industries, Inc. Wed Dec 03 13:41:56
ID:RPNB?G?S5eNg0v3NG8LNkmyEKSj-RfC?PsB70Hq3NSgPqnL8w3uITXbGKWrCDoi7J4zJC?f

Page: 1



Scale = 1:36
Plate Offsets (X, Y): [3:0-1-10,0-1-9]

Loading	(psf)	Spacing	2-0-0	CSI	DEFL	in	(loc)	l/defl	L/d	PLATES	GRIP	
TCLL (roof)	25.0	Plate Grip DOL	1.15	TC	0.61	Vert(LL)	-0.01	6-7	>999	240	MT20	185/148
TCDL	7.0	Lumber DOL	1.15	BC	0.11	Vert(CT)	-0.02	6-7	>999	180		
BCLL	0.0*	Rep Stress Incr	YES	WB	0.03	Horz(CT)	0.00	3	n/a	n/a		
BCDL	10.0	Code	IRC2021/TPI2014	Matrix-P							Weight: 31 lb	FT = 10%

LUMBER
TOP CHORD 2x4 HF No.2
BOT CHORD 2x4 HF No.2
WEBS 2x4 HF No.2
SLIDER Right 2x8 DF SS -- 1-6-0

6) Provide mechanical connection (by others) of truss to bearing plate capable of withstanding 49 lb uplift at joint 7 and 67 lb uplift at joint 3.

LOAD CASE(S) Standard

BRACING
TOP CHORD Structural wood sheathing directly applied or 6-0-0 oc purlins, except end verticals.
BOT CHORD Rigid ceiling directly applied or 6-0-0 oc bracing.

REACTIONS (size) 3=0-3-8, 6=0-5-8, 7= Mechanical
Max Horiz 7=-91 (LC 10)
Max Uplift 3=-67 (LC 13), 7=-49 (LC 13)
Max Grav 3=301 (LC 1), 6=170 (LC 3), 7=221 (LC 1)

FORCES (lb) - Maximum Compression/Maximum Tension
TOP CHORD 2-7=-183/174, 1-2=-1/0, 2-3=-87/80, 3-4=-5/0
BOT CHORD 7-8=0/0, 6-7=-88/158, 3-6=-62/110
WEBS 2-6=-61/34

- NOTES**
- Unbalanced roof live loads have been considered for this design.
 - Wind: ASCE 7-16; Vult=110mph (3-second gust) Vasd=87mph; TCDL=4.2psf; BCDL=6.0psf; h=25ft; Cat. II; Exp B; Enclosed; MWFRS (envelope) exterior zone and C-C Exterior(2E) 0-0-0 to 4-2-15, Interior (1) 4-2-15 to 7-9-15 zone; cantilever left and right exposed; end vertical left and right exposed; C-C for members and forces & MWFRS for reactions shown; Lumber DOL=1.60 plate grip DOL=1.60
 - This truss has been designed for a 10.0 psf bottom chord live load nonconcurrent with any other live loads.
 - * This truss has been designed for a live load of 20.0psf on the bottom chord in all areas where a rectangle 3-06-00 tall by 2-00-00 wide will fit between the bottom chord and any other members.
 - Refer to girder(s) for truss to truss connections.



December 4, 2025

WARNING - Verify design parameters and READ NOTES ON THIS AND INCLUDED MITEK REFERENCE PAGE MII-7473 rev. 1/2/2023 BEFORE USE.

Design valid for use only with MiTek® connectors. This design is based only upon parameters shown, and is for an individual building component, not a truss system. Before use, the building designer must verify the applicability of design parameters and properly incorporate this design into the overall building design. Bracing indicated is to prevent buckling of individual truss web and/or chord members only. Additional temporary and permanent bracing is always required for stability and to prevent collapse with possible personal injury and property damage. For general guidance regarding the fabrication, storage, delivery, erection and bracing of trusses and truss systems, see **ANSI/TPI1 Quality Criteria and DSB-22** available from Truss Plate Institute (www.tpinst.org) and **BCSI Building Component Safety Information** available from the Structural Building Component Association (www.sbcsccomponents.com)

MiTek®

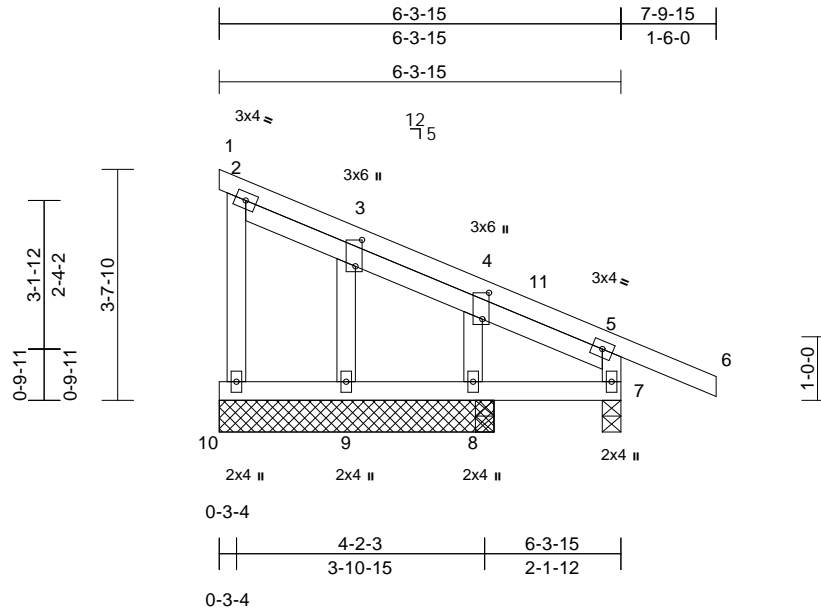
400 Sunrise Ave., Suite 270
Roseville, CA 95661
916.755.3571 / MiTek-US.com

Job 5134298 Bid	Truss G02	Truss Type Roof Special Structural Gable	Qty 1	Ply 1	Job Reference (optional) R91546209
--------------------	--------------	---	----------	----------	---------------------------------------

Builders FirstSource (Arlington, WA), Arlington, WA - 98223,

Run: 8.83 S Sep 3 2025 Print: 8.830 S Sep 3 2025 MiTek Industries, Inc. Wed Dec 03 13:41:56
ID:g8qbuL65zPVOclF6IX?UbfyEKSa-RfC?PsB70Hq3NSgPqnL8w3uITXbGKWRcD0i7J4zJC?f

Page: 1



Scale = 1:36.3
Plate Offsets (X, Y): [3:0-5-0,0-1-4], [4:0-5-0,0-1-4]

Loading	(psf)	Spacing	2-0-0	CSI	DEFL	in	(loc)	l/defl	L/d	PLATES	GRIP	
TCLL (roof)	25.0	Plate Grip DOL	1.15	TC	0.17	Vert(LL)	0.00	7-8	>999	240	MT20	185/148
TCDL	7.0	Lumber DOL	1.15	BC	0.03	Vert(CT)	0.00	7-8	>999	180		
BCLL	0.0*	Rep Stress Incr	YES	WB	0.02	Horz(CT)	0.00	10	n/a	n/a		
BCDL	10.0	Code	IRC2021/TPI2014	Matrix-R							Weight: 32 lb	FT = 10%

LUMBER
TOP CHORD 2x4 HF No.2
BOT CHORD 2x4 HF No.2
WEBS 2x4 HF No.2
OTHERS 2x4 HF No.2

BRACING
TOP CHORD Structural wood sheathing directly applied or 6'-0-0 oc purlins, except end verticals.
BOT CHORD Rigid ceiling directly applied or 10'-0-0 oc bracing.

REACTIONS (size) 1=4-3-15, 7=0-3-8, 8=0-3-8, 9=4-3-15, 10=4-3-15
Max Horiz 1=-99 (LC 8)
Max Uplift 1=-1 (LC 9), 7=-36 (LC 9), 8=-17 (LC 13), 9=-25 (LC 13), 10=-6 (LC 8)
Max Grav 1=52 (LC 10), 7=228 (LC 1), 8=141 (LC 1), 9=177 (LC 1), 10=53 (LC 1)

FORCES (lb) - Maximum Compression/Maximum Tension
TOP CHORD 2-10=-39/34, 1-2=-127/215, 2-3=-95/171, 3-4=-70/116, 4-5=-54/91, 5-6=0/41, 5-7=-207/124
BOT CHORD 9-10=-36/41, 8-9=-36/41, 7-8=-36/41
WEBS 3-9=-137/116, 4-8=-97/50

NOTES
1) Unbalanced roof live loads have been considered for this design.
2) Wind: ASCE 7-16; Vult=110mph (3-second gust) Vasd=87mph; TCCL=4.2psf; BCCL=6.0psf; h=25ft; Cat. II; Exp B; Enclosed; MWFRS (envelope) exterior zone and C-C Exterior(2E) 0-0-0 to 4-0-0, Interior (1) 4-0-0 to 7-9-15 zone; cantilever left and right exposed; end vertical left and right exposed; C-C for members and forces & MWFRS for reactions shown; Lumber DOL=1.60 plate grip DOL=1.60

- Truss designed for wind loads in the plane of the truss only. For studs exposed to wind (normal to the face), see Standard Industry Gable End Details as applicable, or consult qualified building designer as per ANSI/TPI 1.
- Truss to be fully sheathed from one face or securely braced against lateral movement (i.e. diagonal web).
- Gable studs spaced at 2'-0" oc.
- This truss has been designed for a 10.0 psf bottom chord live load nonconcurrent with any other live loads.
- * This truss has been designed for a live load of 20.0psf on the bottom chord in all areas where a rectangle 3'-06"-00 tall by 2'-00"-00 wide will fit between the bottom chord and any other members.
- Provide mechanical connection (by others) of truss to bearing plate capable of withstanding 6 lb uplift at joint 10, 1 lb uplift at joint 1, 36 lb uplift at joint 7, 25 lb uplift at joint 9 and 17 lb uplift at joint 8.

LOAD CASE(S) Standard



December 4, 2025

WARNING - Verify design parameters and READ NOTES ON THIS AND INCLUDED MITEK REFERENCE PAGE MII-7473 rev. 1/2/2023 BEFORE USE.

Design valid for use only with MiTek® connectors. This design is based only upon parameters shown, and is for an individual building component, not a truss system. Before use, the building designer must verify the applicability of design parameters and properly incorporate this design into the overall building design. Bracing indicated is to prevent buckling of individual truss web and/or chord members only. Additional temporary and permanent bracing is always required for stability and to prevent collapse with possible personal injury and property damage. For general guidance regarding the fabrication, storage, delivery, erection and bracing of trusses and truss systems, see **ANSI/TPI1 Quality Criteria and DSB-22** available from Truss Plate Institute (www.tpinst.org) and **BCSI Building Component Safety Information** available from the Structural Building Component Association (www.sbcsccomponents.com)

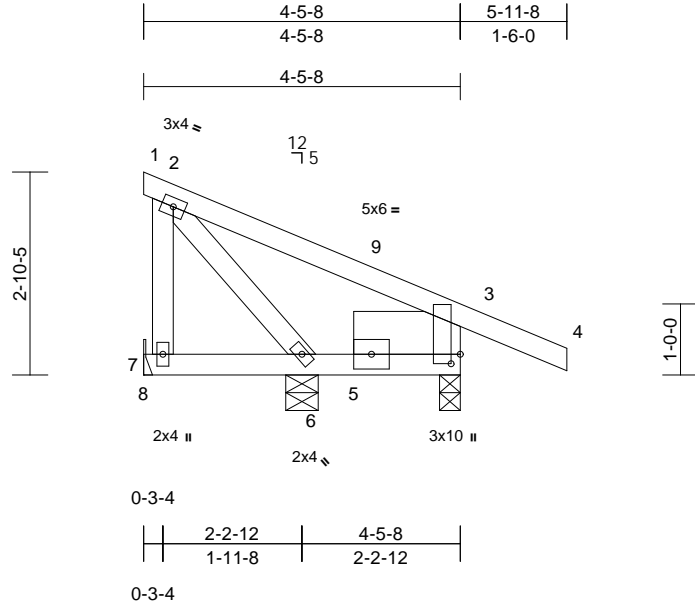
MiTek®
400 Sunrise Ave., Suite 270
Roseville, CA 95661
916.755.3571 / MiTek-US.com

Job	Truss	Truss Type	Qty	Ply	Job Reference (optional)	R91546210
5134298 Bid	G03	Roof Special	5	1		

Builders FirstSource (Arlington, WA), Arlington, WA - 98223,

Run: 8.83 S Sep 3 2025 Print: 8.830 S Sep 3 2025 MiTek Industries, Inc. Wed Dec 03 13:41:57
 ID:sG?IB5E_OnuqQ_aDRLi3Y_yEKSP-RfC?PsB70Hq3NSgPqnL8w3ulTXbGXKWrCDoi7J4zJC?f

Page: 1



Scale = 1:32.4
 Plate Offsets (X, Y): [3:0-1-10,0-1-9]

Loading	(psf)	Spacing	2-0-0	CSI	DEFL	in	(loc)	l/defl	L/d	PLATES	GRIP	
TCLL (roof)	25.0	Plate Grip DOL	1.15	TC	0.24	Vert(LL)	0.00	6-7	>999	240	MT20	185/148
TCDL	7.0	Lumber DOL	1.15	BC	0.03	Vert(CT)	0.00	6-7	>999	180		
BCLL	0.0*	Rep Stress Incr	YES	WB	0.01	Horz(CT)	0.00	3	n/a	n/a		
BCDL	10.0	Code	IRC2021/TPI2014	Matrix-P							Weight: 23 lb	FT = 10%

LUMBER
 TOP CHORD 2x4 HF No.2
 BOT CHORD 2x4 HF No.2
 WEBS 2x4 HF No.2
 SLIDER Right 2x8 DF SS -- 1-6-0

6) Provide mechanical connection (by others) of truss to bearing plate capable of withstanding 39 lb uplift at joint 7 and 44 lb uplift at joint 3.
LOAD CASE(S) Standard

BRACING
 TOP CHORD Structural wood sheathing directly applied or 4-5-8 oc purlins, except end verticals.
 BOT CHORD Rigid ceiling directly applied or 6-0-0 oc bracing.

REACTIONS (size) 3=0-3-8, 6=0-5-8, 7= Mechanical
 Max Horiz 7=-69 (LC 8)
 Max Uplift 3=-44 (LC 13), 7=-39 (LC 13)
 Max Grav 3=256 (LC 1), 6=104 (LC 3), 7=135 (LC 1)

FORCES (lb) - Maximum Compression/Maximum Tension
 TOP CHORD 2-7=-113/147, 1-2=-1/0, 2-3=-67/61, 3-4=-5/0
 BOT CHORD 7-8=0/0, 6-7=-70/135, 3-6=-56/107
 WEBS 2-6=-45/22

- NOTES**
- Unbalanced roof live loads have been considered for this design.
 - Wind: ASCE 7-16; Vult=110mph (3-second gust) Vasd=87mph; TCDL=4.2psf; BCDL=6.0psf; h=25ft; Cat. II; Exp B; Enclosed; MWFRS (envelope) exterior zone and C-C Exterior(2E) 0-0-0 to 4-5-8, Interior (1) 4-5-8 to 5-11-8 zone; cantilever left and right exposed; end vertical left and right exposed; C-C for members and forces & MWFRS for reactions shown; Lumber DOL=1.60 plate grip DOL=1.60
 - This truss has been designed for a 10.0 psf bottom chord live load nonconcurrent with any other live loads.
 - * This truss has been designed for a live load of 20.0psf on the bottom chord in all areas where a rectangle 3-06-00 tall by 2-00-00 wide will fit between the bottom chord and any other members.
 - Refer to girder(s) for truss to truss connections.



December 4, 2025

WARNING - Verify design parameters and READ NOTES ON THIS AND INCLUDED MITEK REFERENCE PAGE MII-7473 rev. 1/2/2023 BEFORE USE.

Design valid for use only with MiTek® connectors. This design is based only upon parameters shown, and is for an individual building component, not a truss system. Before use, the building designer must verify the applicability of design parameters and properly incorporate this design into the overall building design. Bracing indicated is to prevent buckling of individual truss web and/or chord members only. Additional temporary and permanent bracing is always required for stability and to prevent collapse with possible personal injury and property damage. For general guidance regarding the fabrication, storage, delivery, erection and bracing of trusses and truss systems, see **ANSI/TPI1 Quality Criteria and DSB-22** available from Truss Plate Institute (www.tpinst.org) and **BCSI Building Component Safety Information** available from the Structural Building Component Association (www.sbcsccomponents.com)

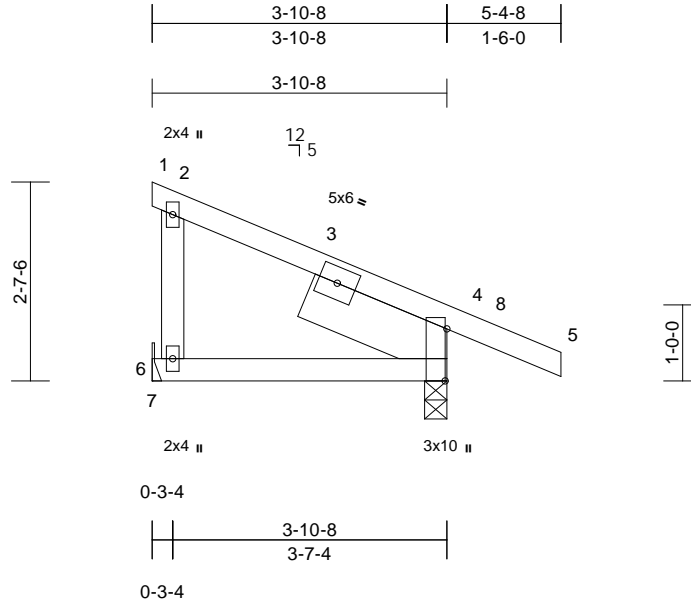
MiTek®
 400 Sunrise Ave., Suite 270
 Roseville, CA 95661
 916.755.3571 / MiTek-US.com

Job 5134298 Bid	Truss H01	Truss Type Roof Special	Qty 4	Ply 1	Job Reference (optional) R91546211
--------------------	--------------	----------------------------	----------	----------	---------------------------------------

Builders FirstSource (Arlington, WA), Arlington, WA - 98223,

Run: 8.83 S Sep 3 2025 Print: 8.830 S Sep 3 2025 MiTek Industries, Inc. Wed Dec 03 13:41:57
ID:doUntrK0VFvhNDCmv1rxtgyEKSH-RfC?PsB70Hq3NSgPqnL8w3uITXbGKWrCDoi7J4zJC?f

Page: 1



Scale = 1:30.3

Plate Offsets (X, Y): [4:0-8-3,Edge]

Loading	(psf)	Spacing	2-0-0	CSI	DEFL	in	(loc)	l/defl	L/d	PLATES	GRIP	
TCLL (roof)	25.0	Plate Grip DOL	1.15	TC	0.16	Vert(LL)	-0.01	4-6	>999	240	MT20	185/148
TCDL	7.0	Lumber DOL	1.15	BC	0.13	Vert(CT)	-0.02	4-6	>999	180		
BCLL	0.0*	Rep Stress Incr	YES	WB	0.00	Horz(CT)	0.00	4	n/a	n/a		
BCDL	10.0	Code	IRC2021/TPI2014	Matrix-P							Weight: 19 lb	FT = 10%

LUMBER
TOP CHORD 2x4 HF No.2
BOT CHORD 2x4 HF No.2
WEBS 2x4 HF No.2
SLIDER Left 2x8 DF SS -- 2-0-5

6) Provide mechanical connection (by others) of truss to bearing plate capable of withstanding 17 lb uplift at joint 6 and 28 lb uplift at joint 4.

LOAD CASE(S) Standard

BRACING
TOP CHORD Structural wood sheathing directly applied or 3-10-8 oc purlins, except end verticals.
BOT CHORD Rigid ceiling directly applied or 10-0-0 oc bracing.

REACTIONS (size) 4=0-3-8, 6= Mechanical
Max Horiz 6=-62 (LC 8)
Max Uplift 4=-28 (LC 9), 6=-17 (LC 13)
Max Grav 4=267 (LC 1), 6=141 (LC 1)

FORCES (lb) - Maximum Compression/Maximum Tension
TOP CHORD 2-6=-99/115, 1-2=-1/0, 2-4=-94/50, 4-5=-5/0
BOT CHORD 6-7=0/0, 4-6=-63/122

- NOTES**
- Unbalanced roof live loads have been considered for this design.
 - Wind: ASCE 7-16; Vult=110mph (3-second gust) Vasd=87mph; TC DL=4.2psf; BC DL=6.0psf; h=25ft; Cat. II; Exp B; Enclosed; MWFRS (envelope) exterior zone and C-C Exterior(2E) 0-0-0 to 4-2-15, Interior (1) 4-2-15 to 5-4-8 zone; cantilever left and right exposed; end vertical left and right exposed; C-C for members and forces & MWFRS for reactions shown; Lumber DOL=1.60 plate grip DOL=1.60
 - This truss has been designed for a 10.0 psf bottom chord live load nonconcurrent with any other live loads.
 - * This truss has been designed for a live load of 20.0psf on the bottom chord in all areas where a rectangle 3-06-00 tall by 2-00-00 wide will fit between the bottom chord and any other members.
 - Refer to girder(s) for truss to truss connections.



December 4, 2025

WARNING - Verify design parameters and READ NOTES ON THIS AND INCLUDED MITEK REFERENCE PAGE MII-7473 rev. 1/2/2023 BEFORE USE.

Design valid for use only with MiTek® connectors. This design is based only upon parameters shown, and is for an individual building component, not a truss system. Before use, the building designer must verify the applicability of design parameters and properly incorporate this design into the overall building design. Bracing indicated is to prevent buckling of individual truss web and/or chord members only. Additional temporary and permanent bracing is always required for stability and to prevent collapse with possible personal injury and property damage. For general guidance regarding the fabrication, storage, delivery, erection and bracing of trusses and truss systems, see **ANSI/TPI1 Quality Criteria and DSB-22** available from Truss Plate Institute (www.tpinst.org) and **BCSI Building Component Safety Information** available from the Structural Building Component Association (www.sbcsccomponents.com)

MiTek®

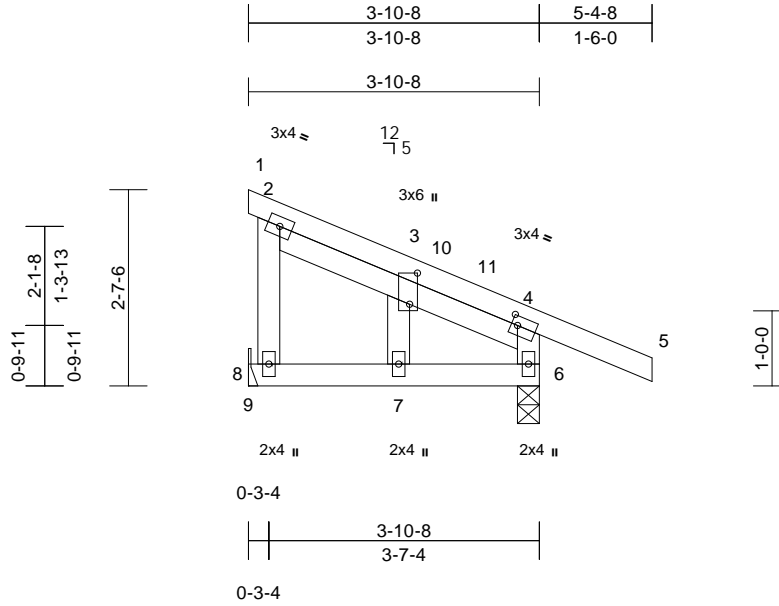
400 Sunrise Ave., Suite 270
Roseville, CA 95661
916.755.3571 / MiTek-US.com

Job	Truss	Truss Type	Qty	Ply	Job Reference (optional)	R91546212
5134298 Bid	H02	Roof Special	1	1		

Builders FirstSource (Arlington, WA), Arlington, WA - 98223,

Run: 8.83 S Sep 3 2025 Print: 8.830 S Sep 3 2025 MiTek Industries, Inc. Wed Dec 03 13:41:57
 ID:z1p5UMbpJ?ga0bt_CeE5mJyEKRx-RFC?PsB70Hq3NSgPqnL8w3uITXbGKWRcDoi7J4zJC?f

Page: 1



Scale = 1:30.7
 Plate Offsets (X, Y): [3:0-5-0,0-1-4], [4:0-1-0,0-1-8]

Loading	(psf)	Spacing	2-0-0	CSI	DEFL	in	(loc)	l/defl	L/d	PLATES	GRIP	
TCLL (roof)	25.0	Plate Grip DOL	1.15	TC	0.17	Vert(LL)	0.00	6-7	>999	240	MT20	185/148
TCDL	7.0	Lumber DOL	1.15	BC	0.07	Vert(CT)	0.00	6-7	>999	180		
BCLL	0.0*	Rep Stress Incr	YES	WB	0.01	Horz(CT)	0.00	6	n/a	n/a		
BCDL	10.0	Code	IRC2021/TPI2014	Matrix-R							Weight: 20 lb	FT = 10%

- LUMBER**
- TOP CHORD 2x4 HF No.2
 - BOT CHORD 2x4 HF No.2
 - WEBS 2x4 HF No.2
 - OTHERS 2x4 HF No.2

- BRACING**
- TOP CHORD Structural wood sheathing directly applied or 3-10-8 oc purlins, except end verticals.
 - BOT CHORD Rigid ceiling directly applied or 10-0-0 oc bracing.

- REACTIONS** (size) 6=0-3-8, 8= Mechanical
- Max Horiz 8=-70 (LC 8)
 - Max Uplift 6=-32 (LC 9), 8=-15 (LC 13)
 - Max Grav 6=275 (LC 1), 8=130 (LC 1)

- FORCES** (lb) - Maximum Compression/Maximum Tension
- TOP CHORD 2-8=-94/132, 1-2=-1/0, 2-3=-61/46, 3-4=-81/30, 4-5=0/41, 4-6=-247/230
 - BOT CHORD 8-9=0/0, 7-8=-46/161, 6-7=-46/161
 - WEBS 3-7=0/55

- NOTES**
- Unbalanced roof live loads have been considered for this design.
 - Wind: ASCE 7-16; Vult=110mph (3-second gust) Vasd=87mph; TC DL=4.2psf; BCDL=6.0psf; h=25ft; Cat. II; Exp B; Enclosed; MWFRS (envelope) exterior zone and C-C Corner(3E) 0-0-0 to 3-0-0, Exterior(2N) 3-0-0 to 5-4-8 zone; cantilever left and right exposed; end vertical left and right exposed; C-C for members and forces & MWFRS for reactions shown; Lumber DOL=1.60 plate grip DOL=1.60
 - Truss designed for wind loads in the plane of the truss only. For studs exposed to wind (normal to the face), see Standard Industry Gable End Details as applicable, or consult qualified building designer as per ANSI/TPI 1.
 - Truss to be fully sheathed from one face or securely braced against lateral movement (i.e. diagonal web).
 - Gable studs spaced at 2-0-0 oc.

- This truss has been designed for a 10.0 psf bottom chord live load nonconcurrent with any other live loads.
 - * This truss has been designed for a live load of 20.0psf on the bottom chord in all areas where a rectangle 3-06-00 tall by 2-00-00 wide will fit between the bottom chord and any other members.
 - Refer to girder(s) for truss to truss connections.
 - Provide mechanical connection (by others) of truss to bearing plate capable of withstanding 15 lb uplift at joint 8 and 32 lb uplift at joint 6.
- LOAD CASE(S)** Standard



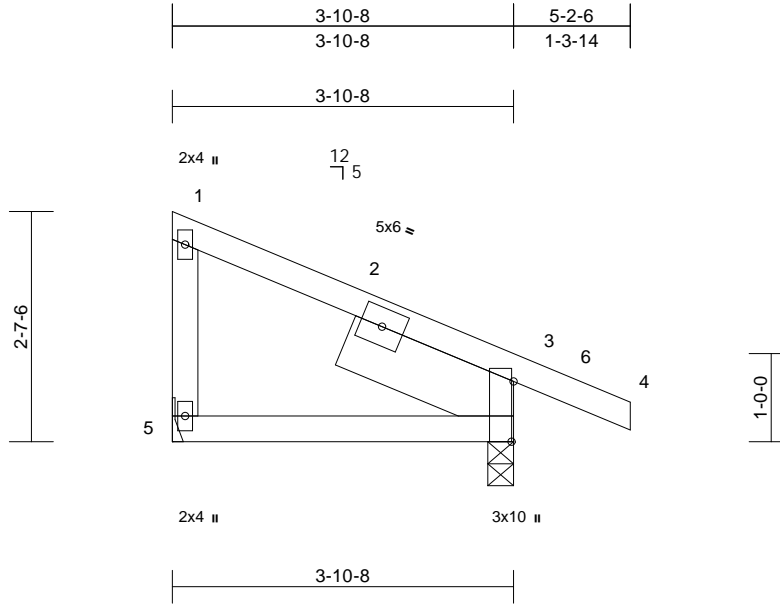
December 4, 2025

Job 5134298 Bid	Truss H03	Truss Type Roof Special	Qty 1	Ply 1	Job Reference (optional) R91546213
--------------------	--------------	----------------------------	----------	----------	---------------------------------------

Builders FirstSource (Arlington, WA), Arlington, WA - 98223,

Run: 8.83 S Sep 3 2025 Print: 8.830 S Sep 3 2025 MiTek Industries, Inc. Wed Dec 03 13:41:57
ID:hJ2?QrlPxBe5wCeFG5RN6LyEKQS-RfC?PsB70Hq3NSgPqnL8w3uITXbGKWrCD0i7J4zJC?f

Page: 1



Scale = 1:26.2

Plate Offsets (X, Y): [3:0-8-3,Edge]

Loading	(psf)	Spacing	2-0-0	CSI	DEFL	in	(loc)	l/defl	L/d	PLATES	GRIP	
TCLL (roof)	25.0	Plate Grip DOL	1.15	TC	0.19	Vert(LL)	-0.01	3-5	>999	240	MT20	185/148
TCDL	7.0	Lumber DOL	1.15	BC	0.14	Vert(CT)	-0.02	3-5	>999	180		
BCLL	0.0*	Rep Stress Incr	YES	WB	0.00	Horz(CT)	0.00	3	n/a	n/a		
BCDL	10.0	Code	IRC2021/TPI2014	Matrix-P							Weight: 19 lb	FT = 10%

LUMBER

TOP CHORD 2x4 HF No.2
BOT CHORD 2x4 HF No.2
WEBS 2x4 HF No.2
SLIDER Left 2x8 DF SS -- 2-1-2

6) Provide mechanical connection (by others) of truss to bearing plate capable of withstanding 17 lb uplift at joint 5 and 24 lb uplift at joint 3.

LOAD CASE(S) Standard

BRACING

TOP CHORD Structural wood sheathing directly applied or 3-10-8 oc purlins, except end verticals.
BOT CHORD Rigid ceiling directly applied or 10-0-0 oc bracing.

REACTIONS (size) 3=0-3-8, 5= Mechanical
Max Horiz 5=-61 (LC 10)
Max Uplift 3=-24 (LC 9), 5=-17 (LC 13)
Max Grav 3=256 (LC 1), 5=142 (LC 1)

FORCES (lb) - Maximum Compression/Maximum Tension

TOP CHORD 1-5=-104/107, 1-3=-92/51, 3-4=-9/0
BOT CHORD 3-5=-65/118

NOTES

- Unbalanced roof live loads have been considered for this design.
- Wind: ASCE 7-16; Vult=110mph (3-second gust) Vasd=87mph; TC DL=4.2psf; BC DL=6.0psf; h=25ft; Cat. II; Exp B; Enclosed; MWFRS (envelope) exterior zone and C-C Exterior(2E) 0-1-12 to 4-4-11, Interior (1) 4-4-11 to 5-2-6 zone; cantilever left and right exposed; end vertical left and right exposed; C-C for members and forces & MWFRS for reactions shown; Lumber DOL=1.60 plate grip DOL=1.60
- This truss has been designed for a 10.0 psf bottom chord live load nonconcurrent with any other live loads.
- * This truss has been designed for a live load of 20.0psf on the bottom chord in all areas where a rectangle 3-06-00 tall by 2-00-00 wide will fit between the bottom chord and any other members.
- Refer to girder(s) for truss to truss connections.



December 4, 2025

WARNING - Verify design parameters and READ NOTES ON THIS AND INCLUDED MITEK REFERENCE PAGE MII-7473 rev. 1/2/2023 BEFORE USE.

Design valid for use only with MiTek® connectors. This design is based only upon parameters shown, and is for an individual building component, not a truss system. Before use, the building designer must verify the applicability of design parameters and properly incorporate this design into the overall building design. Bracing indicated is to prevent buckling of individual truss web and/or chord members only. Additional temporary and permanent bracing is always required for stability and to prevent collapse with possible personal injury and property damage. For general guidance regarding the fabrication, storage, delivery, erection and bracing of trusses and truss systems, see **ANSI/TPI1 Quality Criteria and DSB-22** available from Truss Plate Institute (www.tpinst.org) and **BCSI Building Component Safety Information** available from the Structural Building Component Association (www.sbcsccomponents.com)

MiTek®

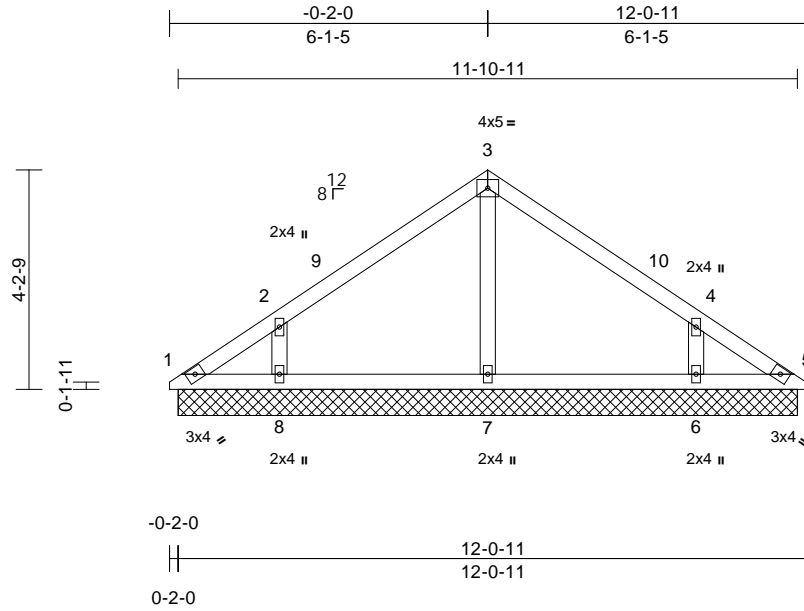
400 Sunrise Ave., Suite 270
Roseville, CA 95661
916.755.3571 / MiTek-US.com

Job 5134298 Bid	Truss PB01	Truss Type Piggyback	Qty 19	Ply 1	Job Reference (optional) R91546214
--------------------	---------------	-------------------------	-----------	----------	---------------------------------------

Builders FirstSource (Arlington, WA), Arlington, WA - 98223,

Run: 8.83 S Sep 3 2025 Print: 8.830 S Sep 3 2025 MiTek Industries, Inc. Wed Dec 03 13:41:57
ID:5EU9_oQHncjvdM4MRWftAyyEKf4-RfC?PsB70Hq3NSgPqnL8w3uITXbGKwRCDoi7J4zJC?f

Page: 1



Scale = 1:44.2

Loading	(psf)	Spacing	2-0-0	CSI	DEFL	in	(loc)	l/defl	L/d	PLATES	GRIP	
TCLL (roof)	25.0	Plate Grip DOL	1.15	TC	0.16	Vert(LL)	n/a	-	n/a	999	MT20	185/148
TCDL	7.0	Lumber DOL	1.15	BC	0.10	Vert(TL)	n/a	-	n/a	999		
BCLL	0.0*	Rep Stress Incr	YES	WB	0.06	Horiz(TL)	0.00	5	n/a	n/a		
BCDL	10.0	Code	IRC2021/TPI2014	Matrix-SH							Weight: 37 lb	FT = 10%

LUMBER

TOP CHORD 2x4 HF No.2
BOT CHORD 2x4 HF No.2
OTHERS 2x4 HF No.2

BRACING

TOP CHORD Structural wood sheathing directly applied or 6-0-0 oc purlins.
BOT CHORD Rigid ceiling directly applied or 10-0-0 oc bracing.

REACTIONS

(size) 1=11-10-11, 5=11-10-11, 6=11-10-11, 7=11-10-11, 8=11-10-11
Max Horiz 1=-65 (LC 10)
Max Uplift 1=-16 (LC 8), 5=-3 (LC 9), 6=-72 (LC 13), 8=-72 (LC 12)
Max Grav 1=59 (LC 20), 5=49 (LC 19), 6=313 (LC 26), 7=281 (LC 1), 8=313 (LC 25)

FORCES

(lb) - Maximum Compression/Maximum Tension

TOP CHORD 1-2=-71/56, 2-3=-117/62, 3-4=-117/61, 4-5=-57/36
BOT CHORD 1-8=-16/48, 7-8=-16/48, 6-7=-16/48, 5-6=-16/48
WEBS 3-7=-195/18, 2-8=-252/122, 4-6=-252/122

NOTES

- Unbalanced roof live loads have been considered for this design.
- Wind: ASCE 7-16; Vult=110mph (3-second gust) Vasd=87mph; TCCL=4.2psf; BCCL=6.0psf; h=25ft; Cat. II; Exp B; Enclosed; MWFRS (envelope) exterior zone and C-C Exterior(2E) 0-1-4 to 3-1-4, Interior (1) 3-1-4 to 5-11-5, Exterior(2R) 5-11-5 to 8-11-5, Interior (1) 8-11-5 to 11-9-6 zone; cantilever left and right exposed ; end vertical left and right exposed;C-C for members and forces & MWFRS for reactions shown; Lumber DOL=1.60 plate grip DOL=1.60

- Truss designed for wind loads in the plane of the truss only. For studs exposed to wind (normal to the face), see Standard Industry Gable End Details as applicable, or consult qualified building designer as per ANSI/TPI 1.
- Gable requires continuous bottom chord bearing.
- Gable studs spaced at 4-0-0 oc.
- This truss has been designed for a 10.0 psf bottom chord live load nonconcurrent with any other live loads.
- * This truss has been designed for a live load of 20.0psf on the bottom chord in all areas where a rectangle 3-06-00 tall by 2-00-00 wide will fit between the bottom chord and any other members.
- Provide mechanical connection (by others) of truss to bearing plate capable of withstanding 16 lb uplift at joint 1, 3 lb uplift at joint 5, 72 lb uplift at joint 8 and 72 lb uplift at joint 6.
- See Standard Industry Piggyback Truss Connection Detail for Connection to base truss as applicable, or consult qualified building designer.

LOAD CASE(S) Standard



December 4, 2025

WARNING - Verify design parameters and READ NOTES ON THIS AND INCLUDED MITEK REFERENCE PAGE MII-7473 rev. 1/2/2023 BEFORE USE.

Design valid for use only with MiTek® connectors. This design is based only upon parameters shown, and is for an individual building component, not a truss system. Before use, the building designer must verify the applicability of design parameters and properly incorporate this design into the overall building design. Bracing indicated is to prevent buckling of individual truss web and/or chord members only. Additional temporary and permanent bracing is always required for stability and to prevent collapse with possible personal injury and property damage. For general guidance regarding the fabrication, storage, delivery, erection and bracing of trusses and truss systems, see **ANSI/TPI1 Quality Criteria and DSB-22** available from Truss Plate Institute (www.tpinst.org) and **BCSI Building Component Safety Information** available from the Structural Building Component Association (www.sbcsccomponents.com)

MiTek®

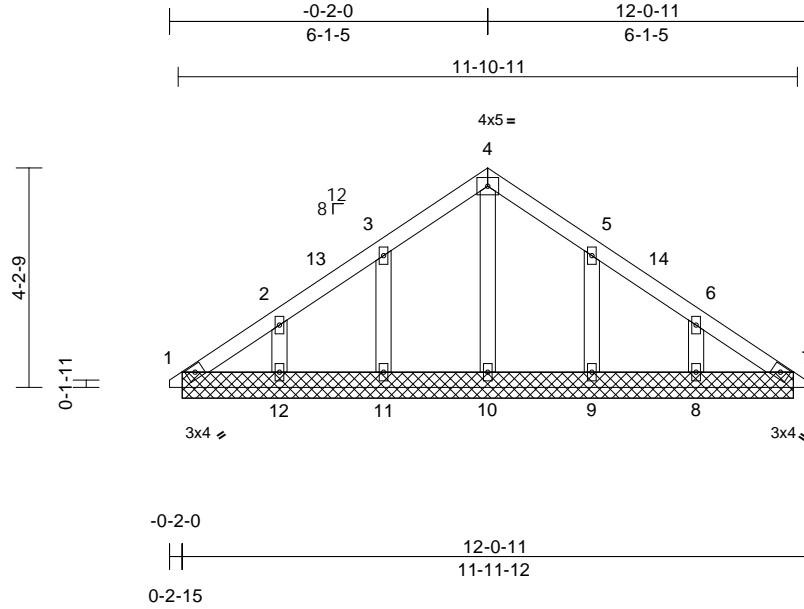
400 Sunrise Ave., Suite 270
Roseville, CA 95661
916.755.3571 / MiTek-US.com

Job 5134298 Bid	Truss PB02	Truss Type Piggyback	Qty 2	Ply 1	Job Reference (optional) R91546215
--------------------	---------------	-------------------------	----------	----------	---------------------------------------

Builders FirstSource (Arlington, WA), Arlington, WA - 98223,

Run: 8.83 S Sep 3 2025 Print: 8.830 S Sep 3 2025 MiTek Industries, Inc. Wed Dec 03 13:41:58
ID:wCRiyH61y7upz6xJG?AF_zyEKeB-RfC?PsB70Hq3NSgPqnL8w3ulTXbGKWrCDoi7J4zJC?f

Page: 1



Scale = 1:44.2

Loading	(psf)	Spacing	2-0-0	CSI	DEFL	in	(loc)	l/defl	L/d	PLATES	GRIP	
TCLL (roof)	25.0	Plate Grip DOL	1.15	TC	0.05	Vert(LL)	n/a	-	n/a	999	MT20	185/148
TCDL	7.0	Lumber DOL	1.15	BC	0.03	Vert(TL)	n/a	-	n/a	999		
BCLL	0.0*	Rep Stress Incr	YES	WB	0.03	Horiz(TL)	0.00	7	n/a	n/a		
BCDL	10.0	Code	IRC2021/TPI2014	Matrix-SH							Weight: 43 lb	FT = 10%

LUMBER

TOP CHORD 2x4 HF No.2
BOT CHORD 2x4 HF No.2
OTHERS 2x4 HF No.2

BRACING

TOP CHORD Structural wood sheathing directly applied or 6-0-0 oc purlins.
BOT CHORD Rigid ceiling directly applied or 10-0-0 oc bracing.

REACTIONS

(size) 1=11-8-13, 7=11-8-13, 8=11-8-13, 9=11-8-13, 10=11-8-13, 11=11-8-13, 12=11-8-13
Max Horiz 1=65 (LC 8)
Max Uplift 1=4 (LC 8), 8=37 (LC 13), 9=37 (LC 13), 11=38 (LC 12), 12=37 (LC 12)
Max Grav 1=74 (LC 20), 7=71 (LC 1), 8=179 (LC 1), 9=175 (LC 26), 10=137 (LC 1), 11=175 (LC 25), 12=179 (LC 1)

FORCES

(lb) - Maximum Compression/Maximum Tension

TOP CHORD 1-2=-71/51, 2-3=-68/39, 3-4=-61/67, 4-5=-58/66, 5-6=-54/25, 6-7=-58/32
BOT CHORD 1-12=-21/45, 11-12=-21/45, 10-11=-21/45, 9-10=-21/45, 8-9=-21/45, 7-8=-21/45
WEBS 4-10=-95/0, 3-11=-138/69, 2-12=-130/62, 5-9=-138/69, 6-8=-130/62

NOTES

- Unbalanced roof live loads have been considered for this design.
- Wind: ASCE 7-16; Vult=110mph (3-second gust) Vasd=87mph; TCDL=4.2psf; BCDL=6.0psf; h=25ft; Cat. II; Exp B; Enclosed; MWFRS (envelope) exterior zone and C-C Exterior(2E) 0-1-4 to 3-1-4, Interior (1) 3-1-4 to 5-11-5, Exterior(2R) 5-11-5 to 8-11-5, Interior (1) 8-11-5 to 11-9-6 zone; cantilever left and right exposed; end vertical left and right exposed; C-C for members and forces & MWFRS for reactions shown; Lumber DOL=1.60 plate grip DOL=1.60

- Truss designed for wind loads in the plane of the truss only. For studs exposed to wind (normal to the face), see Standard Industry Gable End Details as applicable, or consult qualified building designer as per ANSI/TPI 1.
- All plates are 2x4 (II) MT20 unless otherwise indicated.
- Gable studs spaced at 2-0-0 oc.
- This truss has been designed for a 10.0 psf bottom chord live load nonconcurrent with any other live loads.
- * This truss has been designed for a live load of 20.0psf on the bottom chord in all areas where a rectangle 3-06-00 tall by 2-00-00 wide will fit between the bottom chord and any other members.
- Provide mechanical connection (by others) of truss to bearing plate capable of withstanding 4 lb uplift at joint 1, 38 lb uplift at joint 11, 37 lb uplift at joint 12, 37 lb uplift at joint 9 and 37 lb uplift at joint 8.
- Non Standard bearing condition. Review required.
- See Standard Industry Piggyback Truss Connection Detail for Connection to base truss as applicable, or consult qualified building designer.

LOAD CASE(S) Standard



December 4, 2025

WARNING - Verify design parameters and READ NOTES ON THIS AND INCLUDED MITEK REFERENCE PAGE MII-7473 rev. 1/2/2023 BEFORE USE.

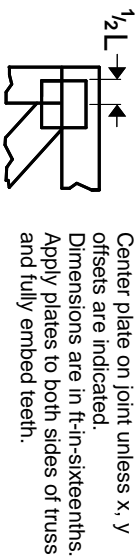
Design valid for use only with MiTek® connectors. This design is based only upon parameters shown, and is for an individual building component, not a truss system. Before use, the building designer must verify the applicability of design parameters and properly incorporate this design into the overall building design. Bracing indicated is to prevent buckling of individual truss web and/or chord members only. Additional temporary and permanent bracing is always required for stability and to prevent collapse with possible personal injury and property damage. For general guidance regarding the fabrication, storage, delivery, erection and bracing of trusses and truss systems, see **ANSI/TPI1 Quality Criteria and DSB-22** available from Truss Plate Institute (www.tpinst.org) and **BCSI Building Component Safety Information** available from the Structural Building Component Association (www.sbcsccomponents.com)

MiTek®

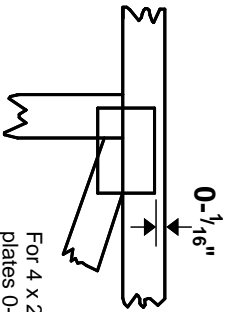
400 Sunrise Ave., Suite 270
Roseville, CA 95661
916.755.3571 / MiTek-US.com

Symbols

PLATE LOCATION AND ORIENTATION



Center plate on joint unless x, y offsets are indicated. Dimensions are in ft-in-sixteenths. Apply plates to both sides of truss and fully embed teeth.



For 4 x 2 orientation, locate plates 0- 1/16\" from outside edge of truss.



This symbol indicates the required direction of slots in connector plates.

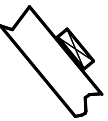
* Plate location details available in MITtek software or upon request.

PLATE SIZE

4 X 4

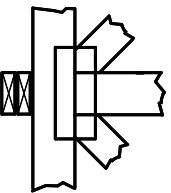
The first dimension is the plate width measured perpendicular to slots. Second dimension is the length parallel to slots.

LATERAL BRACING LOCATION



Indicated by symbol shown and/or by text in the bracing section of the output. Use T or I bracing if indicated.

BEARING

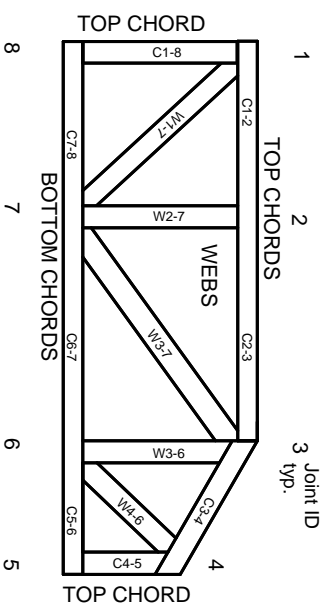


Indicates location where bearings (supports) occur. Icons vary but reaction section indicates joint number/letter where bearings occur. Min size shown is for crushing only.

Industry Standards:

ANSI/TP1: National Design Specification for Metal Plate Connected Wood Truss Construction.
DSB-22: Design Standard for Bracing.
BCSI: Building Component Safety Information, Guide to Good Practice for Handling, Installing, Restraining & Bracing of Metal Plate Connected Wood Trusses.

Numbering System



JOINTS ARE GENERALLY NUMBERED/LETTERED CLOCKWISE AROUND THE TRUSS STARTING AT THE JOINT FARTHEST TO THE LEFT.

CHORDS AND WEBS ARE IDENTIFIED BY END JOINT NUMBERS/LETTERS.

Product Code Approvals

ICC-ES Reports:

ESR-1-1988, ESR-2-362, ESR-2-685, ESR-3-282
ESR-4-722, ESL-1-388

Design General Notes

Trusses are designed for wind loads in the plane of the truss unless otherwise shown.

Lumber design values are in accordance with ANSI/TP1 section 6.3. These truss designs rely on Lumber values established by others.

© 2023 MITtek® All Rights Reserved

General Safety Notes

Failure to Follow Could Cause Property Damage or Personal Injury

1. Additional stability/bracing for truss system, e.g. diagonal or X-bracing, is always required. See BCSI.
2. Truss bracing must be designed by an engineer. For wide truss spacing, individual lateral braces themselves may require bracing, or alternative Tor I bracing should be considered.
3. Never exceed the design loading shown and never stack materials on inadequately braced trusses.
4. Provide copies of this truss design to the building designer, erection supervisor, property owner and all other interested parties.
5. Cut members to bear tightly against each other.
6. Place plates on each face of truss at each joint and embed fully. Knots and wane at joint locations are regulated by ANSI/TP1 1.
7. Design assumes trusses will be suitably protected from the environment in accord with ANSI/TP1 1.
8. Unless otherwise noted, moisture content of lumber shall not exceed 19% at time of fabrication.
9. Unless expressly noted, this design is not applicable for use with fire retardant, preservative treated, or green lumber.
10. Camber is a non-structural consideration and is the responsibility of truss fabricator. General practice is to camber for dead load deflection.
11. Plate type, size, orientation and location dimensions indicated are minimum plating requirements.
12. Lumber used shall be of the species and size, and in all respects, equal to or better than that specified.
13. Top chords must be sheathed or purlins provided at spacing indicated on design.
14. Bottom chords require lateral bracing at 10 ft. spacing, or less, if no ceiling is installed, unless otherwise noted.
15. Connections not shown are the responsibility of others.
16. Do not cut or alter truss member or plate without prior approval of an engineer.
17. Install and load vertically unless indicated otherwise.
18. Use of green or treated lumber may pose unacceptable environmental, health or performance risks. Consult with project engineer before use.
19. Review all portions of this design (front, back, words and pictures) before use. Reviewing pictures alone is not sufficient.
20. Design assumes manufacture in accordance with ANSI/TP1 1 Quality Criteria.
21. The design does not take into account any dynamic or other loads other than those expressly stated.

MITek®

MITtek Engineering Reference Sheet: Mill-7473 rev. 1/2/2023