

P.O. # \_\_\_\_\_  
 WORK ORDER # 2772534

PUMP FLANGES (X DIMENSION) = \_\_\_\_\_  
ROADSIDE/CURBSIDE  
 IPD ENTRY (Y DIMENSION) = \_\_\_\_\_  
 ROADSIDE/CURBSIDE

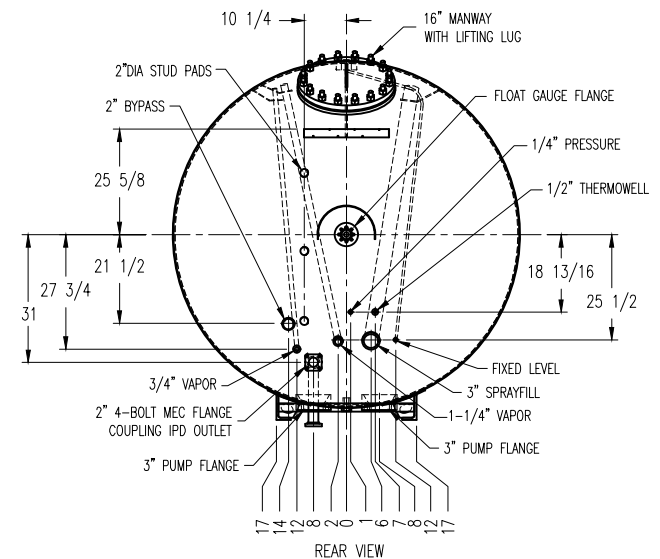
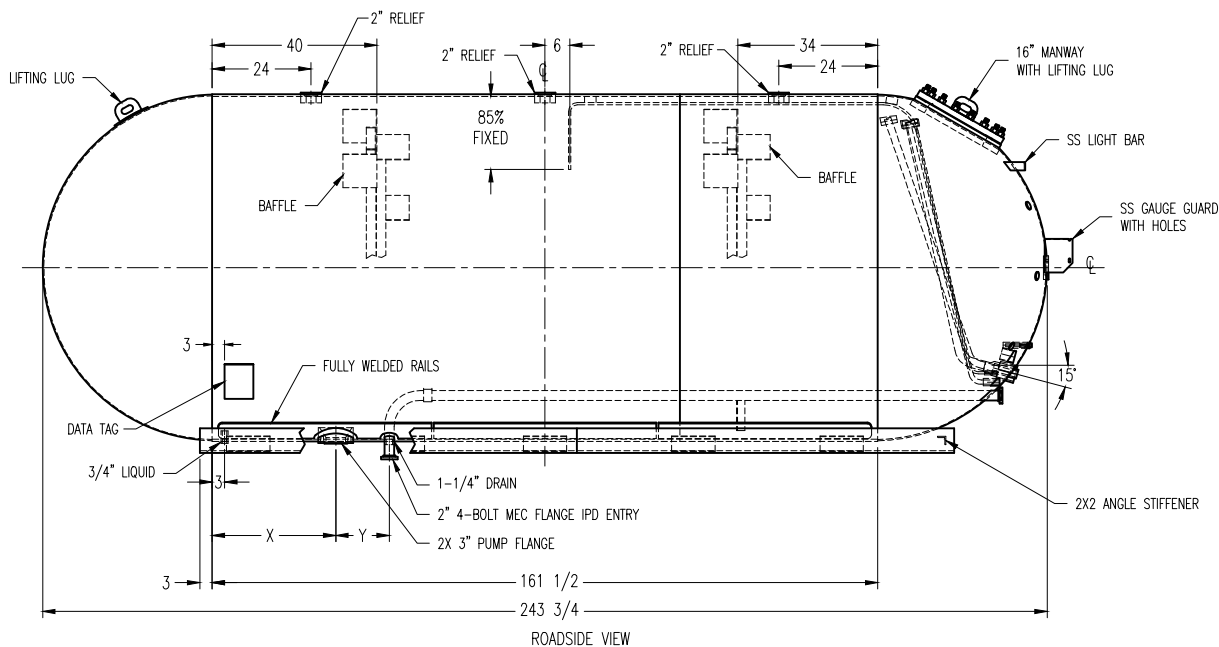
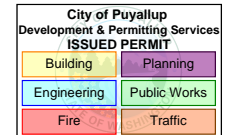
AXALTA PAINT CODES  
 - VESSEL \_\_\_\_\_  
 - TWO-TONE \_\_\_\_\_  
 - DIM. TO TWO-TONE LINE \_\_\_\_\_

FINISH  
 SANDBLAST ONLY = YES/NO  
 PRIMER ONLY = YES/NO

INFORMATION REQUIRED BY 8/21/25 OR VESSEL WILL BE MOVED OUT IN SCHEDULE

CUSTOMER SIGNATURE: \_\_\_\_\_ DATE: \_\_\_\_\_

\*\*IF SELECTING FINISH/PAINT OPTIONS NOT INCLUDED ON CONTRACT, WESTMOR SALESMAN WILL ISSUE CHANGE ORDER FOR ANY ADDITIONAL CHARGES\*\*



**DESIGN NOTES**

- |   |  |
|---|--|
| 1. Design per <u>2023 ASME Code Sect. VIII</u><br>DV. <u>1</u>  | 7. Corrosion Allowance:<br>Head <u>0</u> Shell <u>0</u> Nozzles <u>0</u> |
| 2. Post Weld Heat Treating Required: <u>No</u>  | 8. Design Pressure:<br>Internal <u>250</u> P.S.I. @ <u>150</u> ° F       |
| 3. Radiographing: <u>RT1</u>  | External <u>0</u> P.S.I. @ <u>150</u> ° F                                |
| 4. Material:<br>Head <u>SA-612</u> Min.Thk. <u>.254</u><br>Shell <u>SA-612</u> Min.Thk. <u>.521</u>                       | 9. MDMT <u>-4</u> ° F  |
| 5. Maximum Allowable Stress:<br>Head <u>20,700</u> P.S.I. @ <u>150</u> ° F<br>Shell <u>20,250</u> P.S.I. @ <u>150</u> ° F | 10. Wind Loading Applied: <u>No</u><br>Wind Speed <u>0</u> MPH           |
| 6. Joint Efficiency:<br>Head <u>1</u> Shell Long <u>1</u><br>Nozzles <u>1</u> Shell Circ. <u>1</u>                        | 11. Seismic Loading Applied: <u>No</u><br>Zone _____                     |
|   | 12. Cyclic Loading Applied: <u>No</u>                                    |
|   | 13. Hydrostatic Test <u>375</u> P.S.I.                                   |
|   | 13. Hydrostatic Test Procedure: <u>P-1</u>                               |

- CONFIDENTIAL AND PROPRIETARY - THIS DRAWING IS THE PROPERTY OF WESTMOR INDUSTRIES LLC. IT IS NOT TO BE USED, DISTRIBUTED, OR REPRODUCED IN ANY MANNER WITHOUT EXPRESS WRITTEN PERMISSION FROM WESTMOR INDUSTRIES.				<b>WESTMOR</b>		WESTMOR INDUSTRIES P.O. BOX 683 3 DEVELOPMENT DRIVE MORRIS, MN 56267	
ALL DIMENSIONS IN INCHES				VESEL, BT, 5000x84, 250PSI, FWR, 2-PUMP, LIBERTY, SALES			
TOLERANCES UNLESS NOTED OTHERWISE: DECIMAL .XX ± .03 DECIMAL .XXX ± .015 DECIMAL .XXXX ± .005 ANGULAR DIMENSIONS ± 1° FRACTIONAL DIMENSIONS ± 1/16				DRAWN BY <u>JTL</u> DATE <u>5/26/21</u>		PART NUMBER	
MATERIAL <u>SEE BOM</u>				DWG. SIZE <u>D</u> SCALE <u>NONE</u>		DRAWING NUMBER	
SIZE/THICKNESS <u>SEE BOM</u>				WEIGHT (LBS) <u>9800</u> SHEET <u>1 OF 1</u>		REVISION	
REV.	ECO	DESCRIPTION OF REVISION	DATE	BY			
		<u>UPDATED TO FOUR BOLT FLANGE IPD OUTLET</u>	<u>10/1/24</u>	<u>MJH</u>			
		<u>UPDATED TO CURRENT GUSSETS, CODE YEAR, RELIEFS</u>	<u>5/24/22</u>	<u>MJH</u>			
		<u>NEW RELEASE</u>	<u>5/26/21</u>	<u>JTL</u>			
					106075-SALES 2		