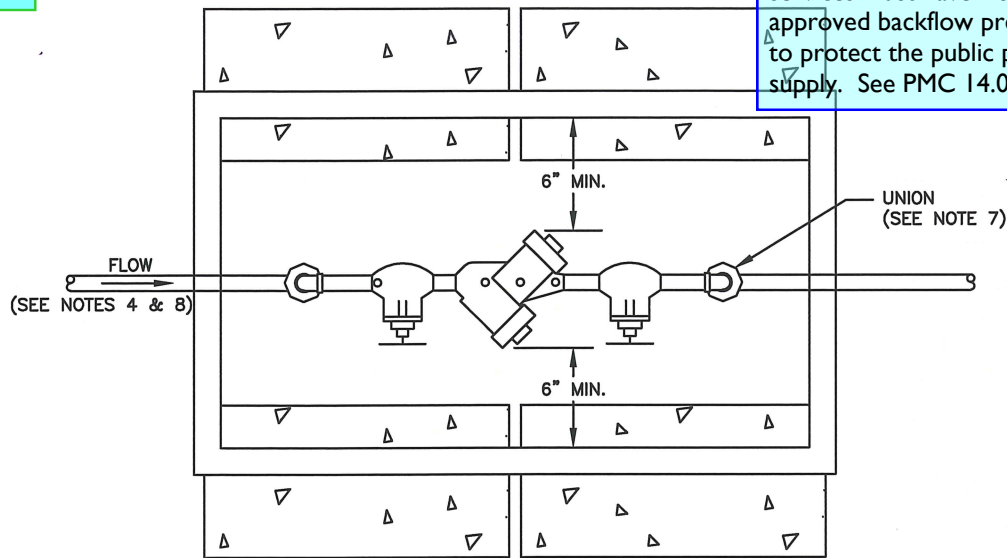
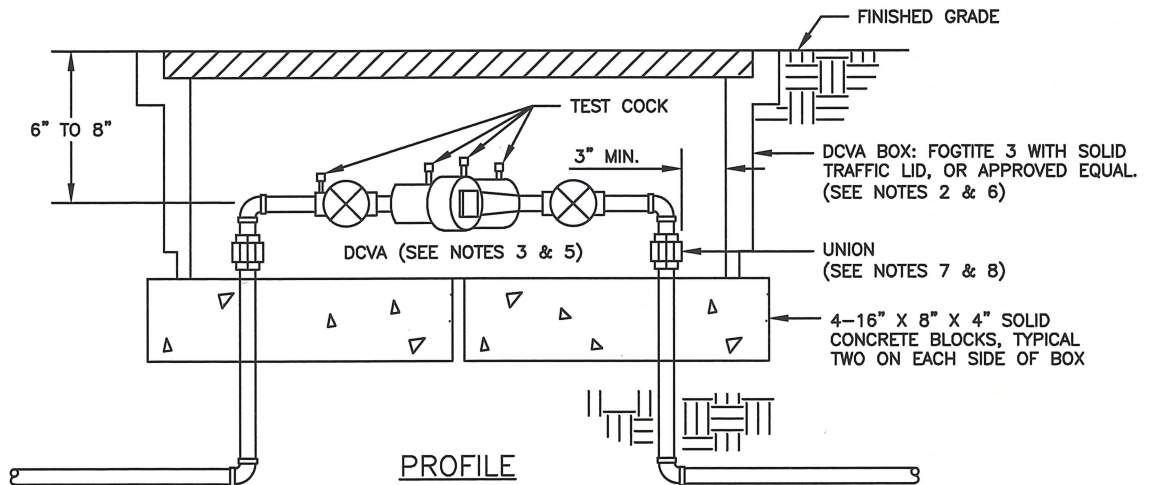


A commercial development's water services must have installed an approved backflow prevention assembly to protect the public potable water supply. See PMC 14.02.220(3)



PLAN



PROFILE

NOTES:

1. BACKFLOW ASSEMBLY MUST BE SELECTED FROM WASHINGTON STATE DEPARTMENT OF HEALTH'S LIST OF BACKFLOW PREVENTION ASSEMBLIES APPROVED FOR INSTALLATION IN WASHINGTON STATE, LATEST EDITION.
2. THE DCVA SHALL BE INSTALLED WITH ADEQUATE SPACE TO FACILITATE MAINTENANCE AND TESTING. IT SHALL BE TESTED AFTER INSTALLATION, BY A WASHINGTON STATE CERTIFIED BACK-FLOW ASSEMBLY TESTER, TO INSURE ITS SATISFACTORY OPERATION BEFORE OCCUPANCY, AND ANNUALLY THEREAFTER. SEND TEST RESULTS TO: CITY OF PUYALLUP, WATER QUALITY OPERATIONS, 1100 39TH AVE SE, PUYALLUP, WA 98374.
3. DCVA MUST BE PURCHASED AS A UNIT. NO MODIFICATIONS TO THE ASSEMBLY ARE ALLOWED.
4. DCVA SHALL BE PLACED IMMEDIATELY DOWNSTREAM OF WATER METER. WHEN IRRIGATION SYSTEM IS CONNECTED OFF DOMESTIC WATER LINE, IRRIGATION DCVA SHALL BE PLACED IMMEDIATELY DOWNSTREAM OF THE BRANCH CONNECTION.
5. DCVA SHALL BE SIZED EQUAL OR COMPARABLE TO METER SIZE.
6. METER BOX SHALL BE LARGE ENOUGH TO ALLOW THE MINIMUM SETBACKS ILLUSTRATED ABOVE. METER BOX LID SHALL BE A TRAFFIC LID WITH A H-20 LOADING.
7. DIELECTRIC UNIONS MUST BE USED TO SEPARATE DISSIMILAR MATERIALS.
8. USE ONLY BRASS OR COPPER BETWEEN THE METER AND THE UNION ON THE CUSTOMER'S SIDE OF THE DCVA.



CITY OF PUYALLUP  
OFFICE  
of  
THE CITY ENGINEER

APPROVED FOR PUBLICATION



2" AND SMALLER DOUBLE CHECK VALVE ASSEMBLY INSTALLATION

(NOT TO SCALE)

CITY STANDARD  
03.04.01