

LARSON RIVER ROAD AUTO STORAGE

A PORTION OF THE NE 1/4 OF THE SE 1/4 OF SEC. 20, TWN. 20 N., RGE. 04 E. W.M.
CITY OF PUYALLUP, PIERCE COUNTY, WASHINGTON.

Sheet List Table

Sheet #	Sheet Title
C0.1	COVER SHEET
C1.0	TESC AND DEMOLITION PLAN
C1.1	TESC AND DEMOLITION PLAN
C1.2	NOTES AND DETAILS
C2.0	PAVING AND HORIZONTAL CONTROL
C2.1	PAVING AND HORIZONTAL CONTROL
C3.0	GRADING AND DRAINAGE PLAN
C3.1	GRADING AND DRAINAGE PLAN
C3.2	DETAILS
C4.0	RIVER ROAD PLAN AND PROFILE
L1.0	LANDSCAPE PLAN
L1.1	PLANTING DETAILS AND SCHEDULE

OWNER/APPLICANT

LARSON AUTOMOTIVE GROUP
1409 ALEXANDER AVENUE EAST
FIFE, WA 98424-1109
PHONE: (253) 778-7027
EMAIL: JOSH.LARSON@LOOKLARSON.COM
CONTACT: JOSH LARSON

CIVIL ENGINEER

AHBL, INC.
2215 NORTH 30TH STREET, SUITE 300
TACOMA, WA 98403
PHONE: (253) 383-2422
EMAIL: T.SAWIN@AHBL.COM
CONTACT: TODD SAWIN, PE

SURVEYOR

AHBL, INC.
2215 NORTH 30TH STREET, SUITE 300
TACOMA, WA 98403
PHONE: (253) 383-2422
EMAIL: DFOLLANSBEE@AHBL.COM
CONTACT: DAVID FOLLANSBEE, P.L.S.

GEOTECHNICAL ENGINEER

SOUTH SOUND GEOTECHNICAL CONSULTING
P.O. BOX 39500
LAKEWOOD, WA 98496
PHONE: (253) 973-0515
EMAIL: TROBERTS@SSGGEOTECHNICAL.COM
CONTACT: TIM ROBERTS, P.E., P.G.

VERTICAL DATUM

NAVD 1988 VERTICAL DATUM ON ORTHOMETRICALLY CORRECTED GPS OBSERVATIONS USING WSRN AND GEOID 2012A.

BASIS OF BEARING

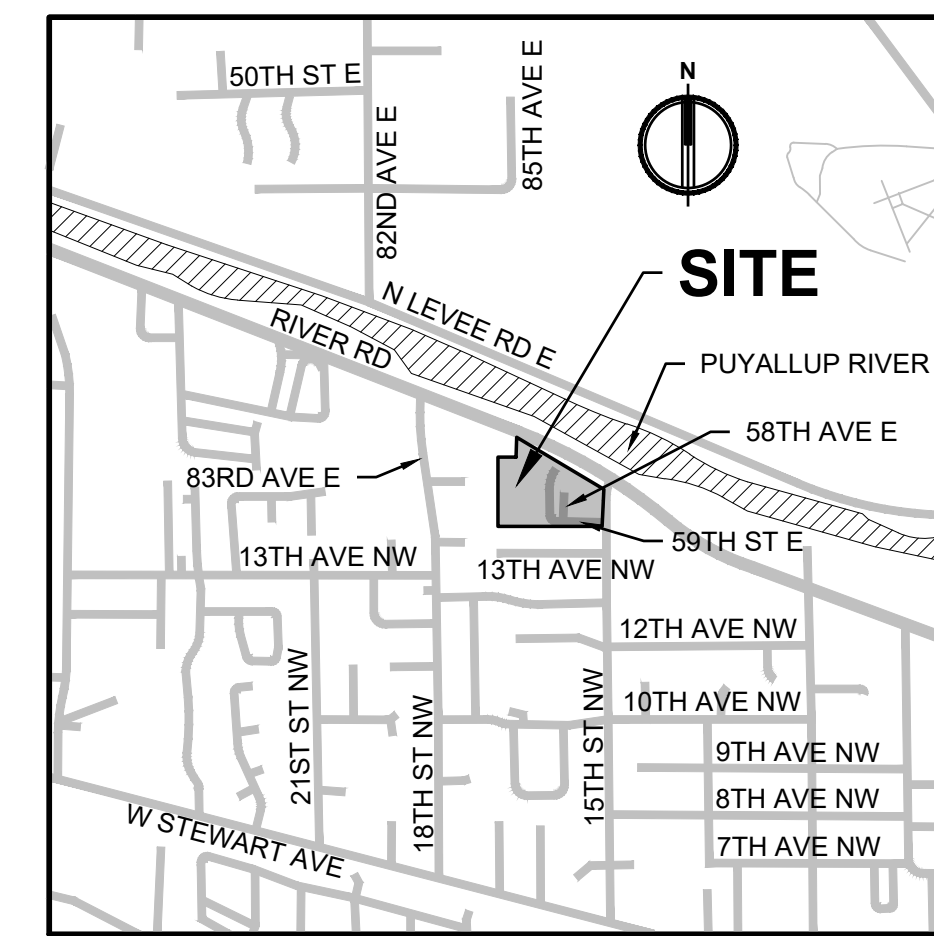
NAD 1983 WASHINGTON STATE PLANE SOUTH PROJECTION, BASED ON GPS OBSERVATIONS USING WSRN AND GEOID 2012A. UNITS OF MEASUREMENT ARE US SURVEY FEET.

SITE ADDRESS

8424 RIVER ROAD
PUYALLUP, WA 98371

PARCEL NUMBERS

0420204282, 0420204069,
0420204059, 0420204047,
0420204263, 0420208030,
0420208040, 0420208027,
0420208039, 0420213038,
0420213006, 0420204267

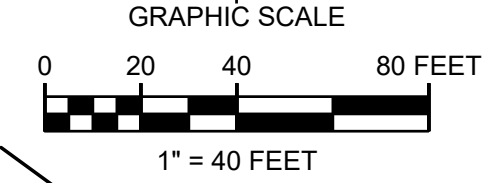
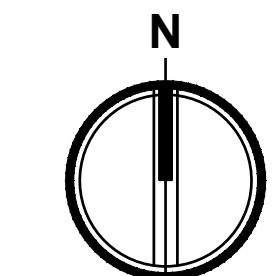


VICINITY MAP

SCALE: 1" = 1/4 MILE (1320')

LEGEND

EXISTING	PROPOSED
△	SET NAIL AND WASHER
●	SET REBAR AND CAP
○	FOUND PROPERTY CORNER
□	BOLLARD
○	STORM CATCH BASIN
○	STORM MANHOLE
○	GUY ANCHOR
○	UTILITY POWER POLE
○	JUNCTION BOX
○	POWER METER
○	LUMINAIRE
○	WATER VALVE
○	C-CEDAR, F-FIR, P-PINE
○	U-UNKNOWN
---	STORM LINE
---	GAS LINE
---	ELECTRICAL LINE
---	OHP
---	FENCE
---	EXTRUDED CURB
---	PROPERTY SET BACK
▭	ASPHALT
▭	CONCRETE
▭	GRAVEL



TOPOGRAPHIC NOTE

THE EXISTING CULTURAL AND TOPOGRAPHIC DATA SHOWN ON THESE DRAWINGS HAS BEEN PREPARED, IN PART, BASED UPON INFORMATION FURNISHED BY OTHERS. WHILE THIS INFORMATION IS BELIEVED TO BE RELIABLE, AHBL CANNOT ENSURE ACCURACY AND THUS IS NOT RESPONSIBLE FOR THE ACCURACY OF THAT INFORMATION OR FOR ANY ERRORS OR OMISSIONS WHICH MAY HAVE BEEN INCORPORATED INTO THESE DRAWINGS AS A RESULT.

FILL SPECIFICATION

FILL MATERIAL SHALL NOT CONTAIN PETROLEUM PRODUCTS, OR SUBSTANCES WHICH ARE HAZARDOUS, DANGEROUS, TOXIC, OR WHICH OTHERWISE VIOLATE ANY STATE, FEDERAL, OR LOCAL LAW, ORDINANCE, CODE, REGULATION, RULE, ORDER, OR STANDARD.

TRENCH NOTE

IF WORKERS ENTER ANY TRENCH OR OTHER EXCAVATION FOUR OR MORE FEET IN DEPTH THAT DOES NOT MEET THE OPEN PIT REQUIREMENTS OF WSDOT STANDARD SPECIFICATIONS SECTION 2-09.3(3)B, IT SHALL BE SHORED AND CRIBBED. THE CONTRACTOR ALONE SHALL BE RESPONSIBLE FOR WORKER SAFETY AND AHBL ASSUMES NO RESPONSIBILITY. ALL TRENCH SAFETY SYSTEMS SHALL MEET THE REQUIREMENTS OF THE WASHINGTON INDUSTRIAL SAFETY AND HEALTH ACT, CHAPTER 49.17 RCW.

UTILITY NOTE

THE LOCATIONS OF EXISTING UNDERGROUND UTILITIES ARE APPROXIMATE ONLY AND HAVE NOT BEEN INDEPENDENTLY VERIFIED BY THE OWNER OR ITS REPRESENTATIVE. THE CONTRACTOR SHALL DETERMINE THE EXACT LOCATION OF ALL EXISTING UTILITIES BEFORE COMMENCING WORK AND AGREES TO BE FULLY RESPONSIBLE FOR ANY AND ALL DAMAGES THAT HAPPEN DUE TO THE CONTRACTOR'S FAILURE TO LOCATE EXACTLY AND PRESERVE ANY AND ALL UNDERGROUND UTILITIES. AHBL ASSUMES NO LIABILITY FOR THE LOCATION OF UNDERGROUND UTILITIES.

AUTOCAD FILE

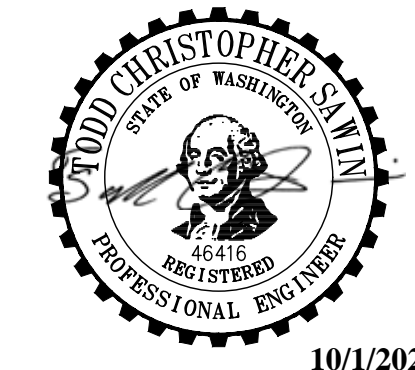
AN AUTOCAD DRAWING FILE IS AVAILABLE TO ASSIST WITH SITE LAYOUT. PLEASE NOTE THAT ELECTRONIC FILES ARE PROVIDED FOR CONTRACTOR'S CONVENIENCE AND SHALL NOT REPLACE NOR BE USED TO SUBSTITUTE THE CONTRACT DOCUMENTS. THE CONTRACTOR IS RESPONSIBLE FOR PROJECT LAYOUT ACCORDING TO CONTRACT DOCUMENTS AND COST FOR ELECTRONIC AUTOCAD FILES.

LEGAL DESCRIPTION

PARCEL NO. 0420204069
BEGINNING 365.1 FEET NORTH AND 971.5 FEET OF THE SOUTHWEST CORNER OF GOVERNMENT LOT 13, SECTION 20, TOWNSHIP 20 NORTH, RANGE 4 EAST OF THE WILLAMETTE MERIDIAN IN PIERCE COUNTY, WASHINGTON; THENCE NORTH 258 FEET; THENCE EAST 120 FEET; THENCE SOUTH 258 FEET; THENCE WEST 120 FEET TO THE POINT OF BEGINNING.

PARCEL NO. 0420204282
PARCEL 'B' OF BOUNDARY LINE ADJUSTMENT FILED UNDER AUDITOR'S FEE NO. 9502090328, RECORDS OF PIERCE COUNTY, WASHINGTON.

NOTICE
ALTERATION OF THIS DOCUMENT SHALL INVALIDATE THE PROFESSIONAL SEAL AND SIGNATURE. PRODUCTION OF THIS DOCUMENT DOES NOT CONSTITUTE A GUARANTEE OF THE ACCURACY OF THE INFORMATION THEREON. THE USER SHALL BE RESPONSIBLE FOR VERIFYING THE ACCURACY OF THE INFORMATION AND FOR ANY OTHER PROJECT.



10/1/2021

PERMIT SET

10/1/2021

Job No.

2160102.10

Issue Set & Date:

10/1/2021

Client:

LARSON

AUTOMOTIVE GROUP

1409 ALEXANDER AVENUE EAST

FIFE, WA 98424-1109

JOSH LARSON

Project Title:

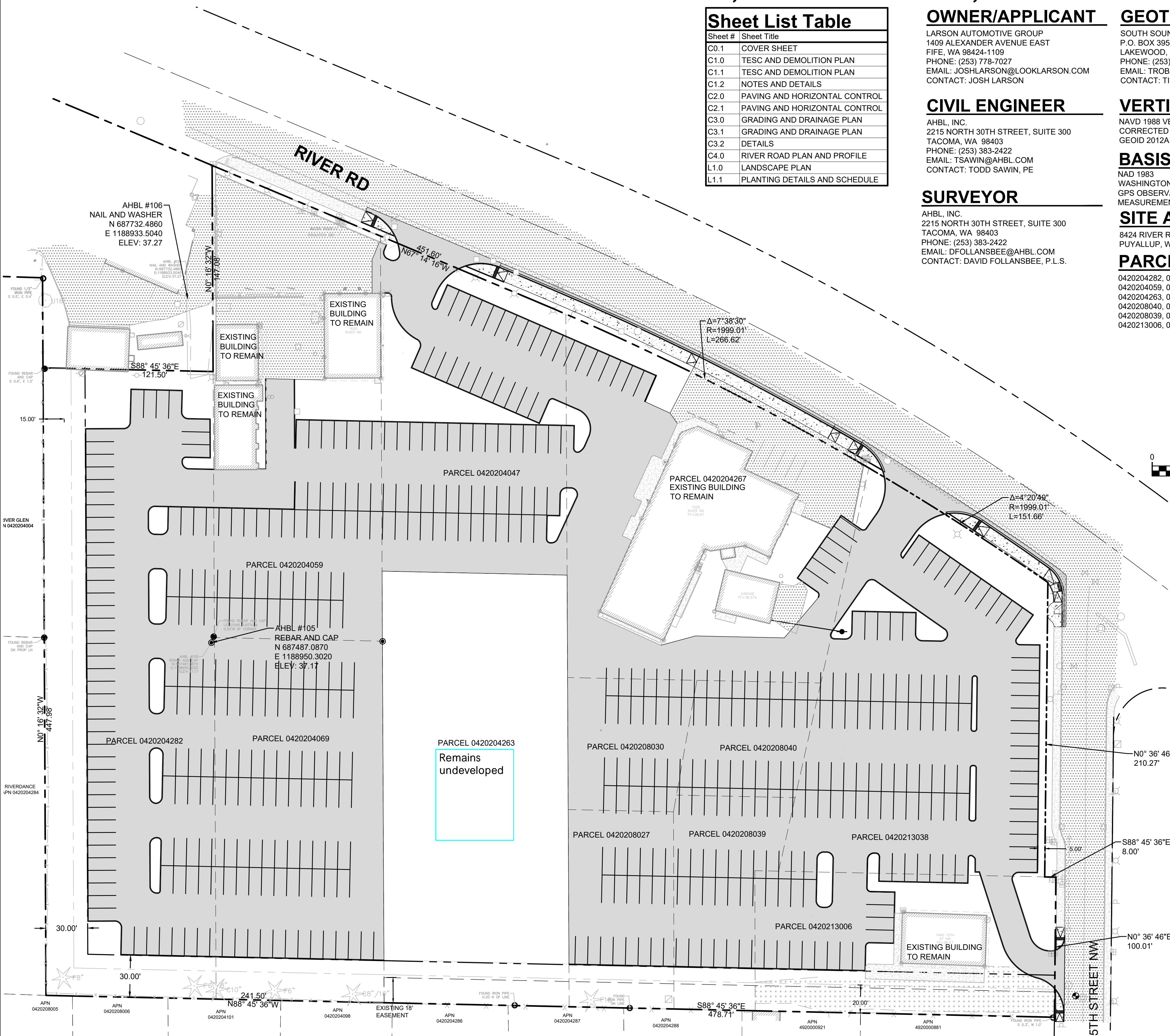
LARSON

RIVER ROAD

STORAGE



2215 North 30th Street, Suite 300, Tacoma, WA 98403
253.383.2422 TEL 253.383.2572 FAX www.ahbl.com WEB



Know what's below.
Call before you dig.

APPROVED

BY: CITY OF PUYALLUP
ENGINEERING SERVICES

DATE:

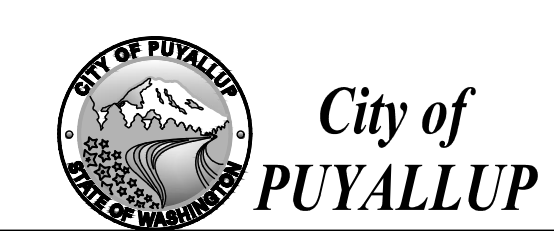
NOTE: THIS APPROVAL IS VOID AFTER 1 YEAR FROM APPROVAL DATE. THE CITY WILL NOT BE RESPONSIBLE FOR ERRORS AND/OR OMISSIONS ON THESE PLANS. FIELD CONDITIONS MAY DICTATE CHANGES TO THESE PLANS AS DETERMINED BY THE ENGINEERING SERVICES MANAGER.

Designed by: MH
Drawn by: SBK
Checked by: TCS

Sheet No.

C0.1

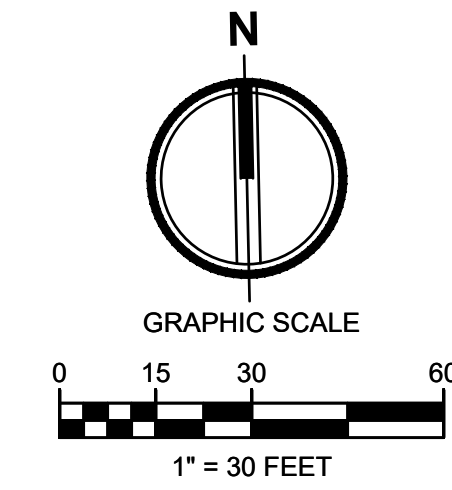
1 of 12 Sheets



City of
PUYALLUP

LARSON RIVER ROAD AUTO STORAGE

A PORTION OF THE NE 1/4 OF THE SE 1/4 OF SEC. 20, TWN. 20 N., RGE. 04 E. W.M.
CITY OF PUYALLUP, PIERCE COUNTY, WASHINGTON.



2215 North 30th Street, Suite 300, Tacoma, WA 98403
253.383.2422 TEL 253.383.2572 FAX www.ahbl.com WEB

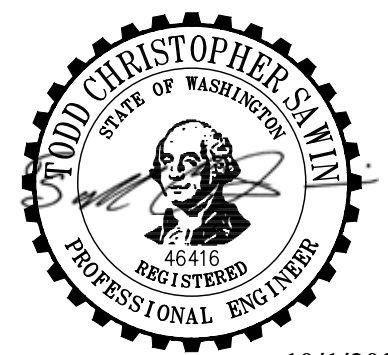
Project Title:
LARSON RIVER ROAD STORAGE

Client:
LARSON AUTOMOTIVE GROUP
1409 ALEXANDER AVENUE EAST
FIFE, WA 98424-1109
JOSH LARSON

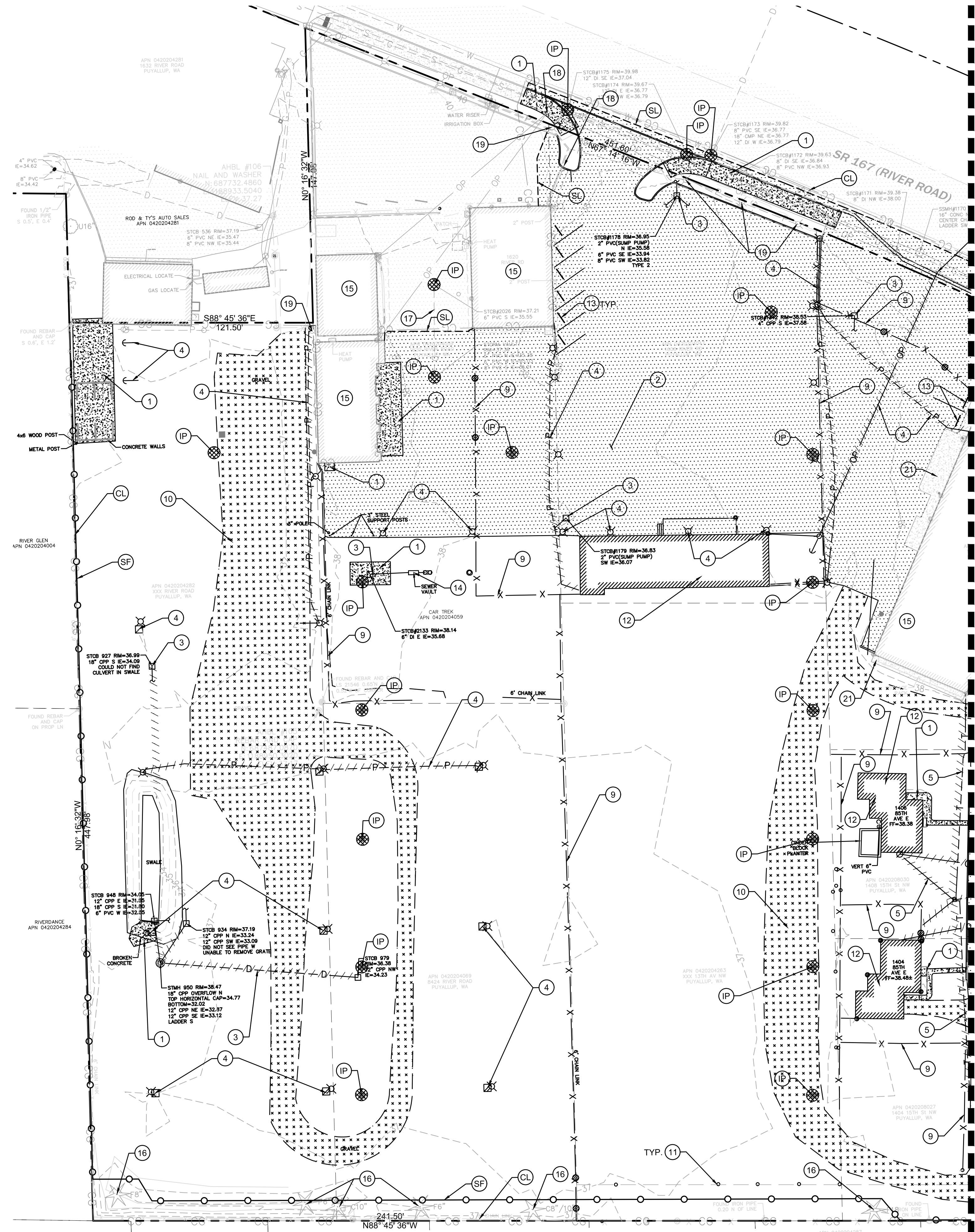
Job No.
2160102.10

Issue Set & Date:
PERMIT SET

10/1/2021



NOTICE
ALTERATION OF THIS DOCUMENT SHALL MAINTAIN THE PROFESSIONAL SEAL AND SIGNATURE. PREPARATION OF THIS DOCUMENT DOES NOT CONSTITUTE A GUARANTEE OR WARRANTY. THE USER SHALL BE RESPONSIBLE FOR VERIFYING THE ACCURACY OF ALL INFORMATION PROVIDED AND FOR OBTAINING ALL NECESSARY PERMITS AND APPROVALS. THIS DOCUMENT IS TO BE USED ONLY FOR THE PROJECT AND SITE SPECIFIC TO THAT PROJECT OR FOR ANY OTHER PROJECT.



MATCHLINE SEE SHEET C1.1

KEY NOTES

- ① DEMOLISH CONCRETE
- ② DEMOLISH HMA
- ③ REMOVE AND DEMOLISH EXISTING STORM CB AND PIPE
- ④ REMOVE AND DEMOLISH EXISTING LIGHTS AND POWER
- ⑤ REMOVE AND DEMOLISH EXISTING TELEPHONE LINE
- ⑥ PROTECT EXISTING POWER
- ⑦ DEMOLISH EXISTING SIGNS
- ⑧ DEMOLISH EXISTING TREE
- ⑨ REMOVE EXISTING FENCE
- ⑩ REMOVE EXISTING GRAVEL
- ⑪ REMOVE BOLLARDS
- ⑫ REMOVE EXISTING BUILDING AND FEATURES
- ⑬ DEMOLISH EXISTING CURBSTOP
- ⑭ REMOVE AND DEMOLISH EXISTING SEWER
- ⑮ PROTECT EXISTING BUILDING AND UTILITY CONNECTIONS
- ⑯ PROTECT EXISTING TREE
- ⑰ PROTECT EXISTING STORM LINE
- ⑱ PROTECT EXISTING POWER LINE AND POLE
- ⑲ PROTECT EXISTING LIGHT POLE
- ⑳ PROTECT EXISTING WATER METER AND SERVICE TO BUILDING
- ㉑ PROTECT EXISTING CONCRETE TO REMAIN
- ㉒ PROTECT EXISTING GRAVEL ROAD

DEMOLITION NOTES

1. DEMOLITION: IT IS THE INTENT UNDER THE WORK OF THIS CONTRACT TO INCLUDE, BUT NOT LIMITED TO, THE DEMOLITION OF ALL EXISTING BUILDINGS, PAVING, UTILITIES, BOLLARDS, GATES AND OTHER EXISTING SITE IMPROVEMENTS INCLUDING THE UNDERGROUND COMPONENTS AS CLARIFIED BY THIS DRAWING. IT IS THE CONTRACTOR'S RESPONSIBILITY TO FULLY REVIEW THE SITE CONDITIONS AND TO CORRELATE THESE OBSERVATIONS WITH THE PROJECT WORK AND INCLUDE ALL NECESSARY DEMOLITION, WHETHER SHOWN OR NOT, AND INCLUDE ALL SUCH COSTS IN THE SCOPE OF WORK.
2. CLEARING: IT IS THE INTENT UNDER THE WORK OF THIS CONTRACT TO CONDUCT ALL CLEARING NECESSARY TO BE ABLE TO COMPLETE ALL THE WORK OF THIS PROJECT.
3. CONTRACTOR SHALL LEGALLY DISPOSE ALL DEMOLISHED AND REMOVED MATERIALS OFF THE OWNER'S PROPERTY UNLESS INDICATED OTHERWISE.
4. IT IS THE RESPONSIBILITY OF THE CONTRACTOR TO COMPLETELY COORDINATE UTILITY DEMOLITION WITH NEW CONSTRUCTION. CONTRACTOR SHALL ENSURE THAT ADEQUATE FIRE PROTECTION IN ACCORDANCE WITH THE FIRE MARSHALL'S REQUIREMENTS IS PROVIDED FOR THE NEW AND EXISTING BUILDINGS.
5. DEMOLITION WORK MAY OCCUR OUTSIDE OF PROJECT LIMIT.
6. CONTRACTOR TO VERIFY ELECTRICAL SERVICE LOCATIONS PRIOR TO DEMO TO ENSURE POWER IS MAINTAINED TO BUILDINGS BEING KEPT.

LEGEND

---	RIGHT-OF-WAY / PROPERTY LINE
CL	CLEARING / PROJECT LIMITS
CE	CONSTRUCTION ENTRANCE PER CITY OF PUYALLUP STD DETAIL 05-01-01
[Pattern]	REMOVE EXISTING ASPHALT
[Pattern]	REMOVE EXISTING CONCRETE
[Pattern]	2" ASPHALT GRIND AND OVERLAY
SF	SILT FENCE
IP	INLET PROTECTION
[Pattern]	INTERCEPTOR SWALE
SL	SAWCUT LINE
CD	ROCK CHECK DAM
[Pattern]	REMOVE EXISTING UTILITY
[Symbol]	REMOVE EXISTING TREE
[Symbol]	EXISTING TREE TO REMAIN
D	STORM LINE
G	GAS LINE
P	ELECTRICAL LINE
OHP	OVERHEAD UTILITIES
X	FENCE
[Pattern]	ASPHALT
[Pattern]	GRAVEL
[Symbol]	BOLLARD
[Symbol]	STORM CATCH BASIN
[Symbol]	STORM MANHOLE
[Symbol]	GUY ANCHOR
[Symbol]	UTILITY POWER POLE
[Symbol]	JUNCTION BOX
[Symbol]	POWER METER
[Symbol]	LUMINAIRE



APPROVED

BY: _____
CITY OF PUYALLUP
ENGINEERING SERVICES

DATE: _____

NOTE: THIS APPROVAL IS VOID AFTER 1 YEAR FROM APPROVAL DATE. THE CITY WILL NOT BE RESPONSIBLE FOR ERRORS AND/OR OMISSIONS ON THESE PLANS. FIELD CONDITIONS MAY DICTATE CHANGES TO THESE PLANS AS DETERMINED BY THE ENGINEERING SERVICES MANAGER.

Revisions:

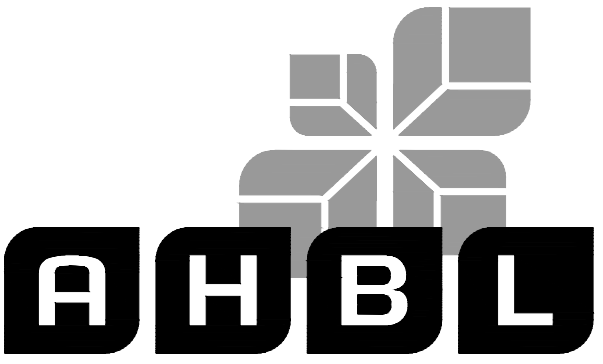
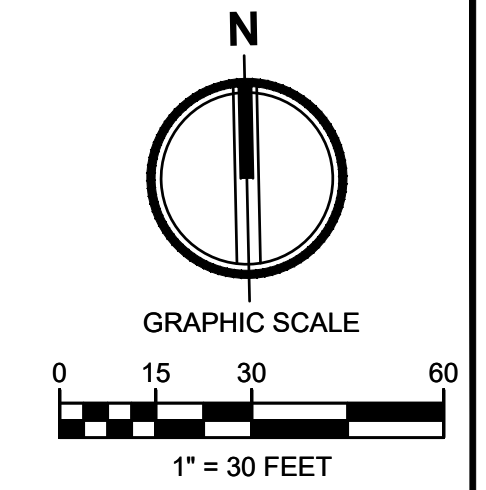
Sheet Title:
TESC AND DEMOLITION PLAN

Designed by: MH Drawn by: SBK Checked by: TCS

Sheet No.
C1.0
2 of 12 Sheets

LARSON RIVER ROAD AUTO STORAGE

A PORTION OF THE NE 1/4 OF THE SE 1/4 OF SEC. 20, TWN. 20 N., RGE. 04 E. W.M.
CITY OF PUYALLUP, PIERCE COUNTY, WASHINGTON.



TACOMA · SEATTLE · SPOKANE · TRI-CITIES

2215 North 30th Street, Suite 300, Tacoma, WA 98403
253.383.2422 TEL 253.383.2572 FAX www.ahbl.com WEB

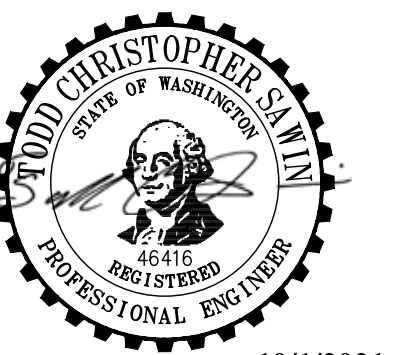
Project Title:
LARSON RIVER ROAD STORAGE

Client:
LARSON AUTOMOTIVE GROUP
1409 ALEXANDER AVENUE EAST
FIFE, WA 98424-1109
JOSH LARSON

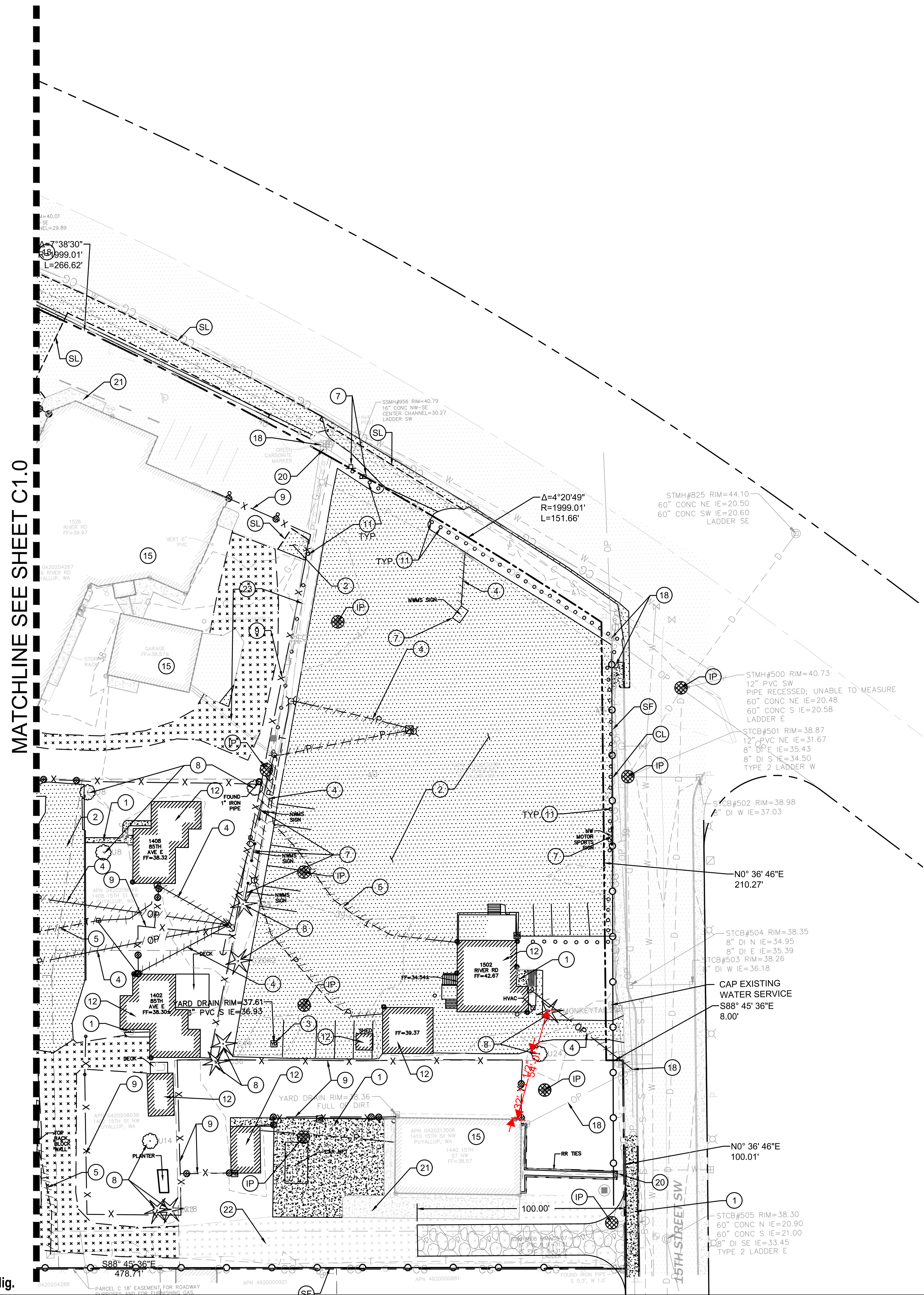
Job No.
2160102.10

Issue Set & Date:
PERMIT SET

10/1/2021



NOTICE
ALTERATION OF THIS DOCUMENT SHALL MAINTAIN THE PROFESSIONAL SEAL AND SIGNATURE. PRODUCTION OF THIS DOCUMENT DOES NOT CONSTITUTE A REVIEW OF THE PROJECT. THIS DOCUMENT IS THE PROPERTY OF AHBL AND IS NOT TO BE USED FOR ANY OTHER PROJECT, OR ADDITION TO THAT PROJECT OR FOR ANY OTHER PROJECT.



MATCHLINE SEE SHEET C1.0

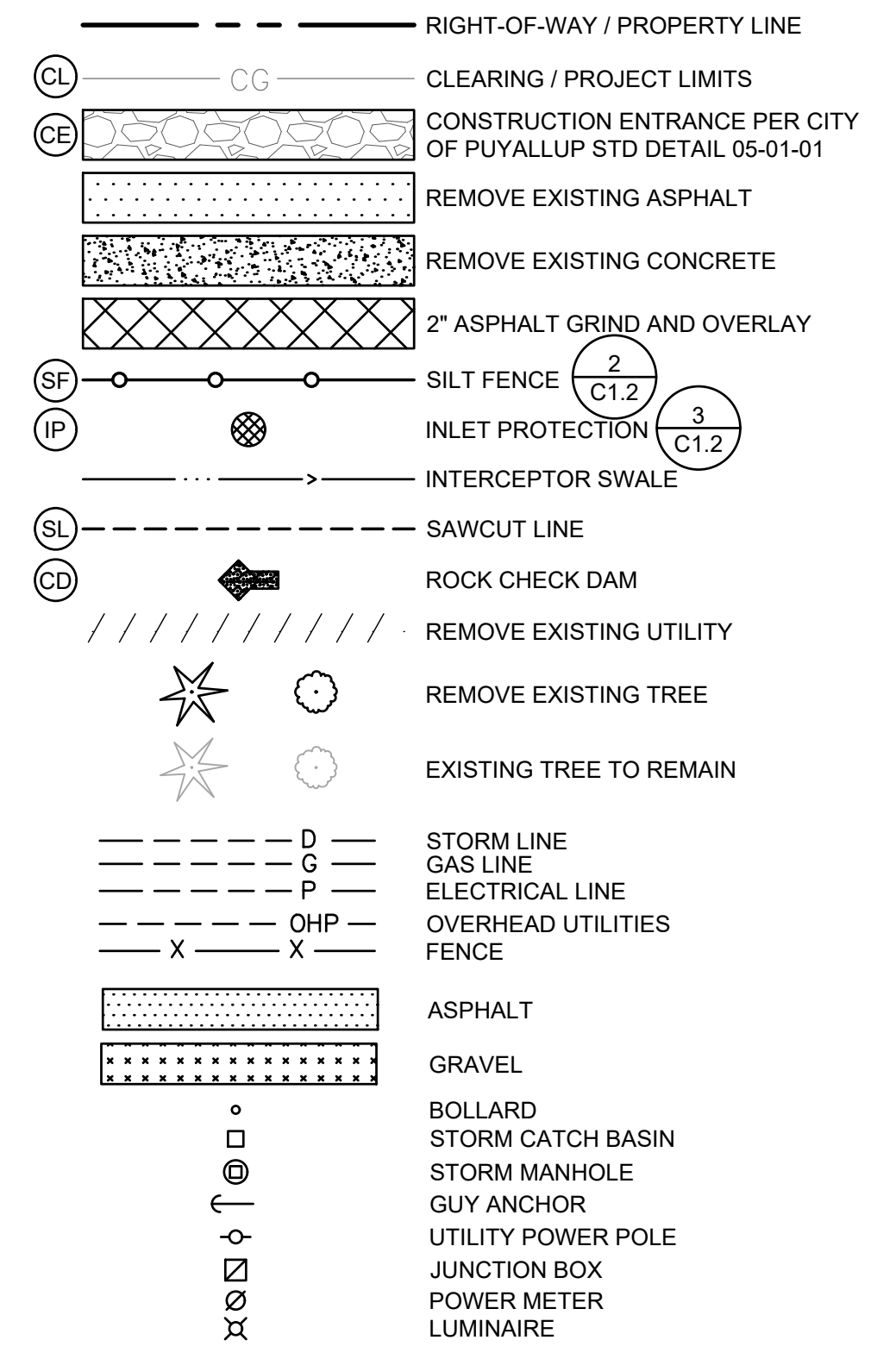
KEY NOTES

- 1 DEMOLISH CONCRETE
- 2 DEMOLISH HMA
- 3 REMOVE AND DEMOLISH EXISTING STORM CB AND PIPE
- 4 REMOVE AND DEMOLISH EXISTING LIGHTS AND POWER
- 5 REMOVE AND DEMOLISH EXISTING TELEPHONE LINE
- 6 PROTECT EXISTING POWER
- 7 DEMOLISH EXISTING SIGNS
- 8 DEMOLISH EXISTING TREE
- 9 REMOVE EXISTING FENCE
- 10 REMOVE EXISTING GRAVEL
- 11 REMOVE BOLLARDS
- 12 REMOVE EXISTING BUILDING AND FEATURES
- 13 DEMOLISH EXISTING CURBSTOP
- 14 REMOVE AND DEMOLISH EXISTING SEWER
- 15 PROTECT EXISTING BUILDING AND UTILITY CONNECTIONS
- 16 PROTECT EXISTING TREE
- 17 PROTECT EXISTING STORM LINE
- 18 PROTECT EXISTING POWER LINE AND POLE
- 19 PROTECT EXISTING LIGHT POLE
- 20 PROTECT EXISTING WATER METER AND SERVICE TO BUILDING
- 21 PROTECT EXISTING CONCRETE TO REMAIN
- 22 PROTECT EXISTING GRAVEL ROAD

DEMOLITION NOTES

1. DEMOLITION: IT IS THE INTENT UNDER THE WORK OF THIS CONTRACT TO INCLUDE, BUT NOT LIMITED TO, THE DEMOLITION OF ALL EXISTING BUILDINGS, PAVING, UTILITIES, BOLLARDS, GATES AND OTHER EXISTING SITE IMPROVEMENTS INCLUDING THE UNDERGROUND COMPONENTS AS CLARIFIED BY THIS DRAWING. IT IS THE CONTRACTOR'S RESPONSIBILITY TO FULLY REVIEW THE SITE CONDITIONS AND TO CORRELATE THESE OBSERVATIONS WITH THE PROJECT WORK AND INCLUDE ALL NECESSARY DEMOLITION, WHETHER SHOWN OR NOT, AND INCLUDE ALL SUCH COSTS IN THE SCOPE OF WORK.
2. CLEARING: IT IS THE INTENT UNDER THE WORK OF THIS CONTRACT TO CONDUCT ALL CLEARING NECESSARY TO BE ABLE TO COMPLETE ALL THE WORK OF THIS PROJECT.
3. CONTRACTOR SHALL LEGALLY DISPOSE ALL DEMOLISHED AND REMOVED MATERIALS OFF THE OWNER'S PROPERTY UNLESS INDICATED OTHERWISE.
4. IT IS THE RESPONSIBILITY OF THE CONTRACTOR TO COMPLETELY COORDINATE UTILITY DEMOLITION WITH NEW CONSTRUCTION. CONTRACTOR SHALL ENSURE THAT ADEQUATE FIRE PROTECTION IN ACCORDANCE WITH THE FIRE MARSHALL'S REQUIREMENTS IS PROVIDED FOR THE NEW AND EXISTING BUILDINGS.
5. DEMOLITION WORK MAY OCCUR OUTSIDE OF PROJECT LIMIT.
6. CONTRACTOR TO VERIFY ELECTRICAL SERVICE LOCATIONS PRIOR TO DEMO TO ENSURE POWER IS MAINTAINED TO BUILDINGS BEING KEPT.

LEGEND



APPROVED
BY: _____
CITY OF PUYALLUP
ENGINEERING SERVICES
DATE: _____
NOTE: THIS APPROVAL IS VOID AFTER 1 YEAR FROM APPROVAL DATE. THE CITY WILL NOT BE RESPONSIBLE FOR ERRORS AND/OR OMISSIONS ON THESE PLANS. FIELD CONDITIONS MAY DICTATE CHANGES TO THESE PLANS AS DETERMINED BY THE ENGINEERING SERVICES MANAGER.

Revisions:

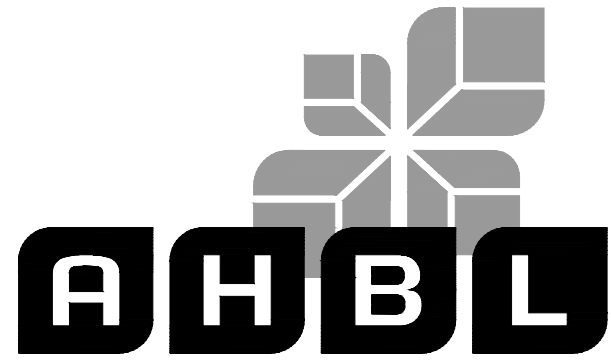
Sheet Title:
TESC AND DEMOLITION PLAN

Designed by: MH Drawn by: SBK Checked by: TCS

Sheet No.
C1.1
3 of 12 Sheets

LARSON RIVER ROAD AUTO STORAGE

A PORTION OF THE NE 1/4 OF THE SE 1/4 OF SEC. 20, TWN. 20 N., RGE. 04 E. W.M.
CITY OF PUYALLUP, PIERCE COUNTY, WASHINGTON.



TACOMA · SEATTLE · SPOKANE · TRI-CITIES

2215 North 30th Street, Suite 300, Tacoma, WA 98403
253.383.2422 TEL. 253.383.2572 FAX www.ahbl.com WEB

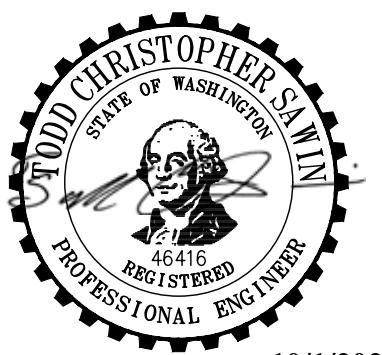
Project Title:
LARSON RIVER ROAD STORAGE

Client:
LARSON AUTOMOTIVE GROUP

1409 ALEXANDER AVENUE EAST
FIFE, WA 98424-1109
JOSH LARSON

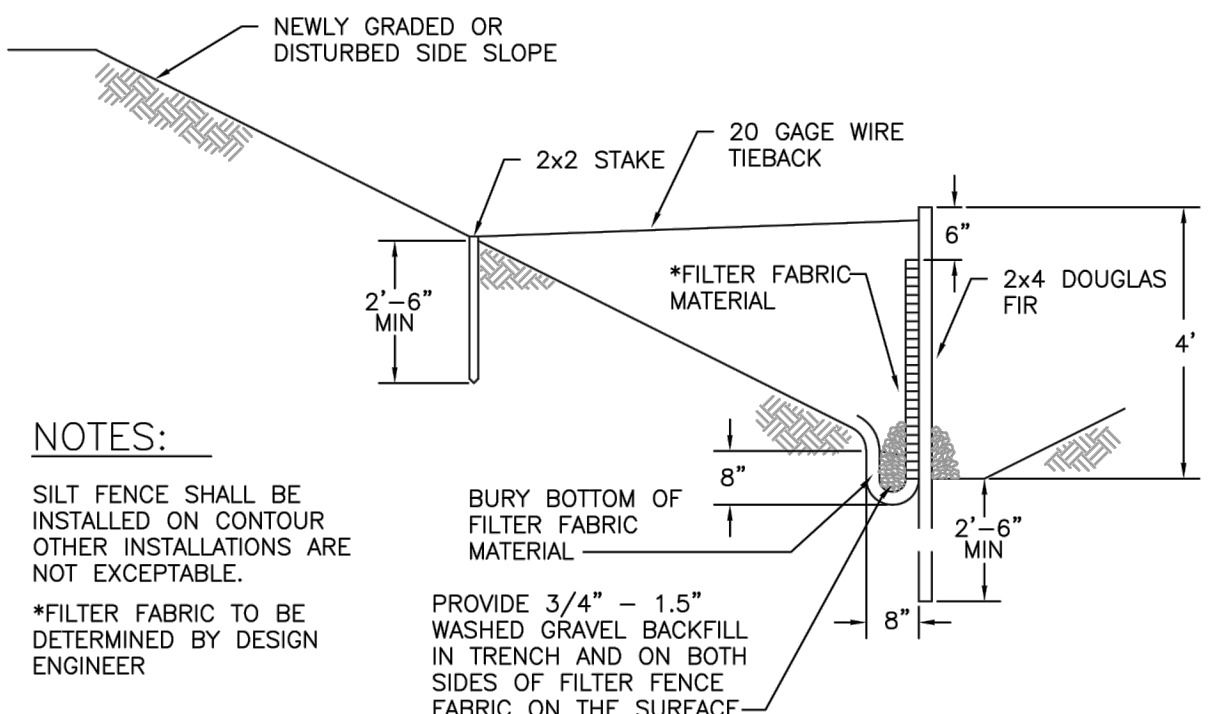
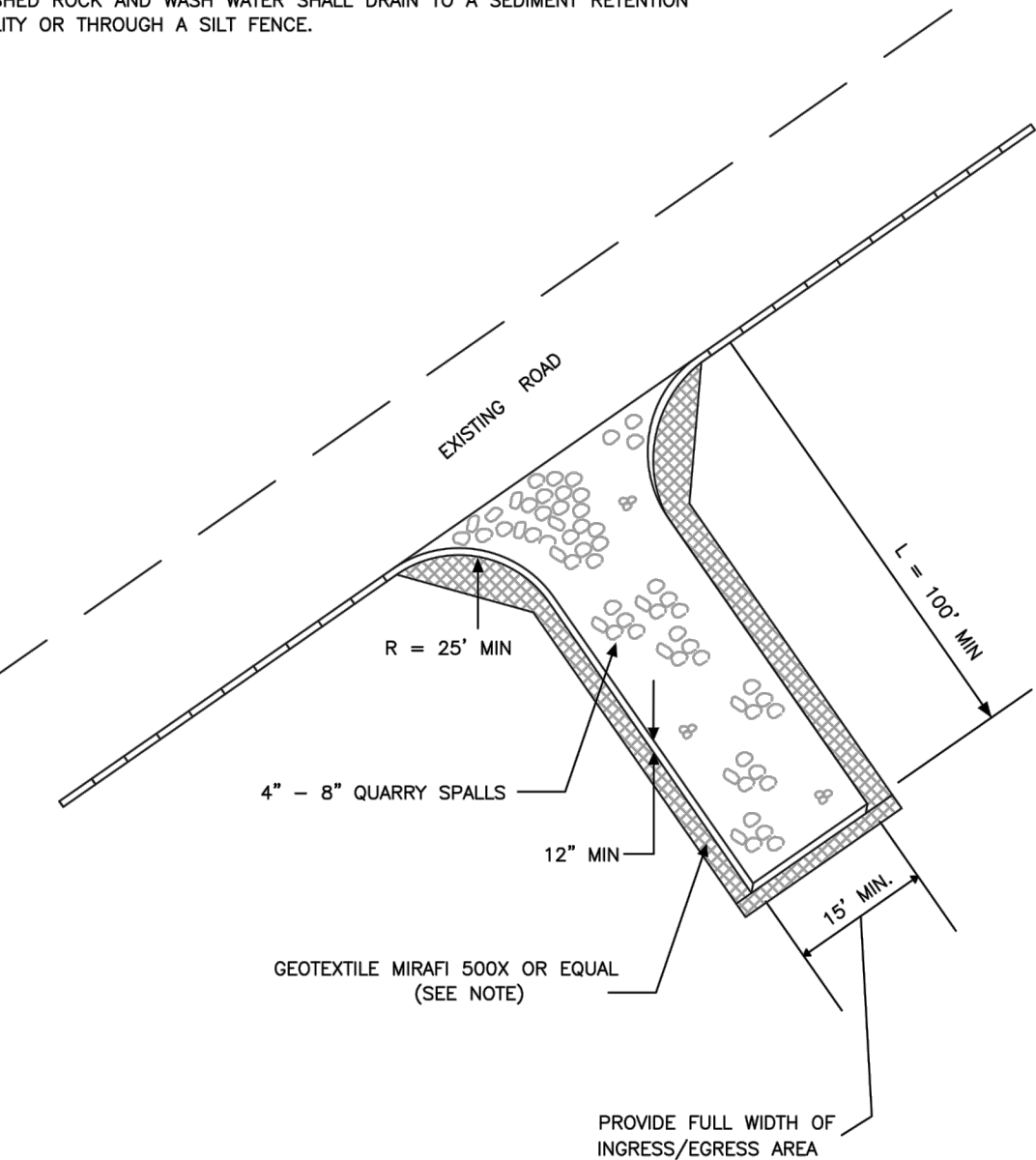
Job No.
2160102.10

Issue Set & Date:
PERMIT SET
10/1/2021

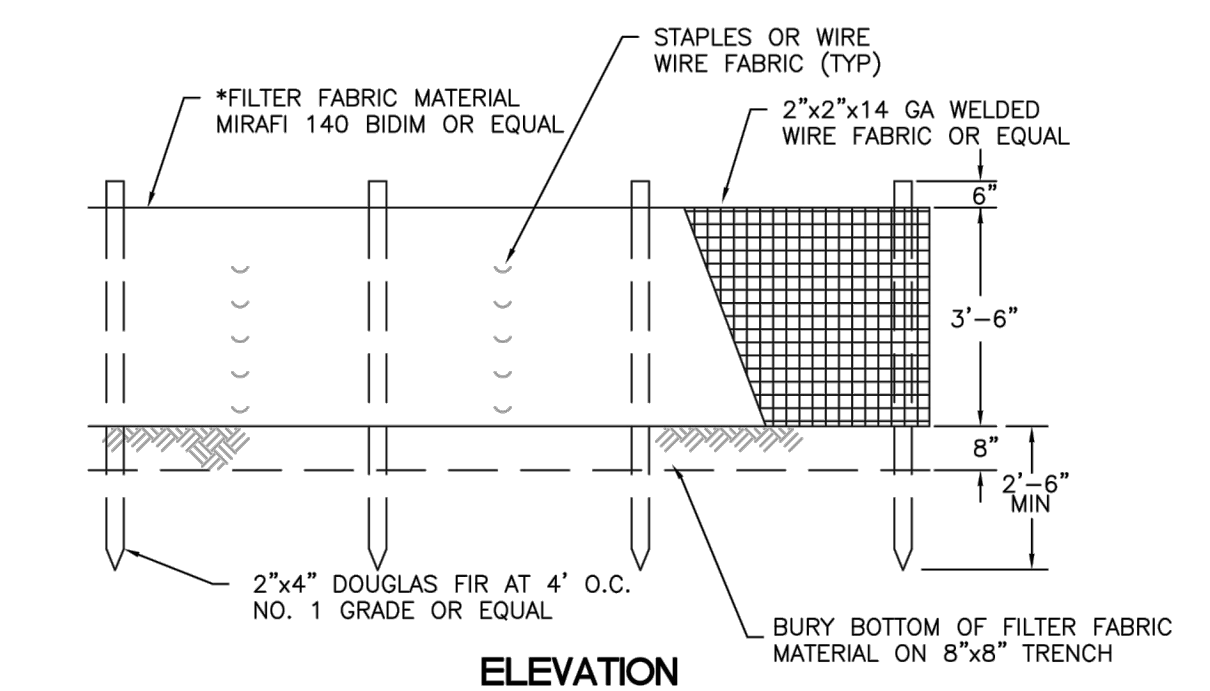


10/1/2021

- NOTE:**
1. GEOTEXTILE MIRAFI 500 X OR APPROVED EQUAL SHALL BE PLACED UNDER THE ENTIRETY OF THE TEMPORARY ENTRANCE.
 2. ADDITIONAL ROCK SHALL BE ADDED PERIODICALLY TO MAINTAIN PROPER FUNCTION OF THE PAD.
 3. IF THE PAD DOES NOT ADEQUATELY REMOVE THE MUD FROM THE VEHICLE'S WHEELS, THE WHEELS SHALL BE HOSED OFF BEFORE THE VEHICLE ENTERS A PAVED STREET. THE WASHING SHALL BE DONE ON AN AREA COVERED WITH CRUSHED ROCK AND WASH WATER SHALL DRAIN TO A SEDIMENT RETENTION FACILITY OR THROUGH A SILT FENCE.



TYPICAL CROSS SECTION



ELEVATION

TESC NOTES

1. ALL LIMITS OF CLEARING AND AREAS OF VEGETATION PRESERVATION AS PRESCRIBED ON THESE PLANS SHALL BE CLEARLY FLAGGED IN THE FIELD AND OBSERVED DURING CONSTRUCTION.
2. ALL TEMPORARY SEDIMENTATION AND EROSION CONTROL MEASURES, AND PROTECTIVE MEASURES FOR CRITICAL AREAS AND SIGNIFICANT TREES SHALL BE INSTALLED PRIOR TO INITIATING ANY CONSTRUCTION ACTIVITIES.
3. ALL REQUIRED SEDIMENTATION AND EROSION CONTROL FACILITIES MUST BE CONSTRUCTED AND IN OPERATION PRIOR TO ANY LAND CLEARING AND/OR OTHER CONSTRUCTION ACTIVITIES TO ENSURE THAT SEDIMENT LADEN WATER DOES NOT ENTER ANY EXISTING DRAINAGE SYSTEM. THE CONTRACTOR SHALL SCHEDULE AN INSPECTION OF THE EROSION CONTROL FACILITIES PRIOR TO ANY LAND CLEARING AND/OR OTHER CONSTRUCTION. ALL EROSION AND SEDIMENT CONTROL FACILITIES SHALL BE MAINTAINED IN A SATISFACTORY CONDITION UNTIL SUCH TIME THAT CLEARING AND/OR CONSTRUCTION IS COMPLETED AND THE POTENTIAL FOR ON-SITE EROSION HAS PASSED. THE IMPLEMENTATION, MAINTENANCE, REPLACEMENT, AND ADDITIONS TO THE EROSION AND SEDIMENTATION CONTROL MEASURES SHALL BE THE RESPONSIBILITY OF THE CONTRACTOR.
4. THE EROSION AND SEDIMENTATION CONTROL SYSTEM MEASURES DEPICTED ON THESE PLANS ARE INTENDED TO BE MINIMUM REQUIREMENTS TO MEET ANTICIPATED SITE CONDITIONS. AS CONSTRUCTION PROGRESSES AND UNEXPECTED OR SEASONAL CONDITIONS DICTATE, ADDITIONAL MEASURES MAY BE NECESSARY TO ENSURE COMPLETE SILTATION CONTROL ON THE SITE. DURING THE COURSE OF CONSTRUCTION, IT SHALL BE THE OBLIGATION AND RESPONSIBILITY OF THE CONTRACTOR TO ADDRESS ANY NEW CONDITIONS THAT MAY BE CREATED BY CONSTRUCTION RELATED ACTIVITIES AND TO PROVIDE ADDITIONAL FACILITIES. OVER AND ABOVE THE MINIMUM REQUIREMENTS, AS MAY BE NEEDED TO PROTECT ADJACENT SITES, SENSITIVE AREAS, NATURAL WATER COURSES, AND/OR STORM DRAINAGE SYSTEMS.
5. ANY DISTURBED AREA WHICH HAS BEEN STRIPPED OF VEGETATION AND WHERE NO FURTHER WORK IS ANTICIPATED FOR A PERIOD OF 10 DAYS OR MORE DURING THE DRY SEASON (JULY 1-SEPT 30) OR 5 DAYS OR MORE IN THE WET SEASON (OCT 1-JUNE 30), SHALL BE IMMEDIATELY STABILIZED WITH MULCHING, GRASS PLANTING, OR OTHER APPROVED EROSION CONTROL TREATMENT APPLICABLE TO THE TIME OF YEAR IN QUESTION. GRASS SEEDING ALONE WILL BE ACCEPTABLE ONLY DURING THE MONTHS OF MAY THROUGH SEPTEMBER INCLUSIVE. SEEDING MAY PROCEED OUTSIDE THE SPECIFIED TIME PERIOD WHENEVER IT IS IN THE INTEREST OF THE CONTRACTOR BUT SHALL BE AUGMENTED WITH MULCHING, NETTING, OR OTHER TREATMENT.
6. NO TEMPORARY OR PERMANENT STOCKPILING OF MATERIALS OR EQUIPMENT SHALL OCCUR WITHIN CRITICAL AREAS OR ASSOCIATED BUFFERS, OR THE CRITICAL ROOT ZONE FOR VEGETATION PROPOSED FOR RETENTION.
7. WATER SITE AS NECESSARY TO CONTROL DUST.
8. TOPSOIL SHALL NOT BE PLACED WHILE SUBGRADE IS IN A FROZEN OR MUDDY CONDITION, WHEN THE SUBGRADE IS EXCESSIVELY WET, OR WHEN CONDITIONS EXIST THAT MAY OTHERWISE BE DETRIMENTAL TO PROPER GRADING OR PROPOSED SODDING OR SEEDING.
9. ON-SITE EROSION CONTROL MEASURES SHALL BE THE RESPONSIBILITY OF THE CONTRACTOR. ANY PROBLEMS OCCURRING BEFORE FINAL STABILIZATION OF THE SITE SHALL BE CORRECTED BY THE CONTRACTOR.
10. IF EROSION OR SEDIMENTATION OCCURS ON ADJACENT SITES, ALL CONSTRUCTION WORK WITHIN THE PROJECT LIMITS THAT WILL AGGRAVATE THE SITUATION MUST CEASE AND THE CONTRACTOR SHALL IMMEDIATELY COMMENCE RESTORATION OR MITIGATION MEASURES. RESTORATION ACTIVITY SHALL CONTINUE UNTIL SUCH TIME AS THE PROBLEM IS RECTIFIED.
11. ALL EROSION AND SEDIMENTATION CONTROL MEASURES SHOWN ON THESE DRAWINGS SHALL BE INSTALLED PRIOR TO, OR AS THE FIRST STAGE OF SITE PREPARATION.
12. SHOULD THE TEMPORARY EROSION AND SEDIMENTATION CONTROL MEASURES SHOWN ON THESE DRAWINGS NOT PROVE ADEQUATE TO CONTROL EROSION AND SEDIMENTATION, THE CONTRACTOR SHALL INSTALL ADDITIONAL FACILITIES AS NECESSARY TO PROTECT ADJACENT SITES, SENSITIVE AREAS, NATURAL WATER COURSES, AND/OR STORM DRAINAGE SYSTEMS.
13. ALL WORK ASSOCIATED WITH STABILIZING THE DISTURBED AREAS SHALL BE IN ACCORDANCE WITH THE 2012 WESTERN WASHINGTON DOE MANUAL.
14. ALL NECESSARY FACILITIES SHALL BE MAINTAINED ON SITE TO PREVENT DEBRIS, DUST, AND MUD FROM ACCUMULATING ON ADJACENT ROADWAYS.
15. THE CONTRACTOR SHALL BE REQUIRED TO CALL 1-800-424-5555 OR '811' A MINIMUM OF TWO WORKING DAYS PRIOR TO COMMENCING ANY EXCAVATION ACTIVITIES TO DETERMINE FIELD LOCATIONS OF ALL UNDERGROUND UTILITIES.
16. RUNOFF SHALL NOT BE ALLOWED TO DRAIN INTO THE STORM DRAINAGE SYSTEM DURING CONSTRUCTION. PROVIDE TEMPORARY PROTECTION FOR YARD DRAINS AS REQUIRED TO PREVENT RUNOFF FROM ENTERING THE STORM DRAINAGE SYSTEM.
17. INSTALL INLET PROTECTION IN ALL EXISTING CATCH BASINS WITHIN 300 FEET DOWNSTREAM OF THE PROJECT. INSTALL CATCH BASIN INLET PROTECTION IN ALL NEW CATCH BASINS AS SOON AS THEY ARE INSTALLED.
18. MAINTAIN EXISTING ASPHALT TO THE MAXIMUM EXTENT AND DURATION POSSIBLE TO PREVENT EROSION AND SEDIMENT TRACKING OFFSITE. PROVIDE CONSTRUCTION ENTRANCE IF ASPHALT CANNOT BE MAINTAINED.

CITY OF PUYALLUP
DEVELOPMENT ENGINEERING and PUBLIC WORKS DEPARTMENTS

TEMPORARY CONSTRUCTION ENTRANCE

DESIGNED BY JIM IRWIN-SVORODA	CHECKED BY LINDA LIAN	APPROVED BY COLLEEN HARRIS	DATE APPROVED 05/01/21	SCALE 1/4"	CITY STAMPED 05.01.21
----------------------------------	--------------------------	-------------------------------	---------------------------	---------------	--------------------------

CITY OF PUYALLUP
DEVELOPMENT ENGINEERING and PUBLIC WORKS DEPARTMENTS

SILTATION FENCE

DESIGNED BY LINDA LIAN	CHECKED BY LINDA LIAN	APPROVED BY COLLEEN HARRIS	DATE APPROVED 05/01/21	SCALE 1/4"	CITY STAMPED 02.03.21
---------------------------	--------------------------	-------------------------------	---------------------------	---------------	--------------------------

1 CONSTRUCTION ENTRANCE

NOT TO SCALE

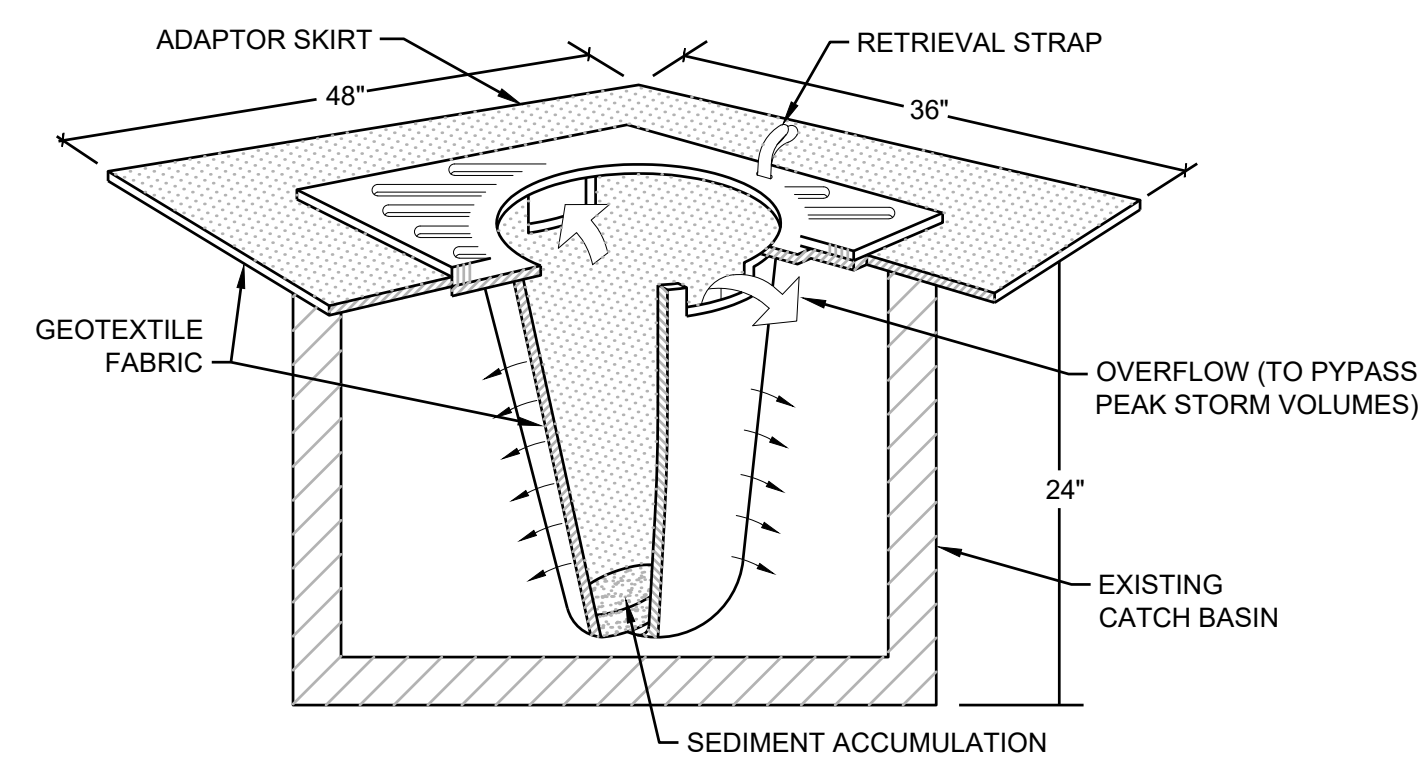
2 SILT FENCE

NOT TO SCALE

CITY OF PUYALLUP CONSTRUCTION NOTES

1. ALL LIMITS OF CLEARING AND AREAS OF VEGETATION PRESERVATION AS PRESCRIBED ON THE PLANS SHALL BE CLEARLY FLAGGED IN THE FIELD AND OBSERVED DURING CONSTRUCTION.
2. ALL REQUIRED SEDIMENTATION AND EROSION CONTROL FACILITIES MUST BE CONSTRUCTED AND IN OPERATION PRIOR TO ANY LAND CLEARING AND/OR OTHER CONSTRUCTION TO ENSURE THAT SEDIMENT LADEN WATER DOES NOT ENTER THE NATURAL DRAINAGE SYSTEM. THE CONTRACTOR SHALL SCHEDULE AN INSPECTION OF THE EROSION CONTROL FACILITIES PRIOR TO ANY LAND CLEARING AND/OR CONSTRUCTION. ALL EROSION AND SEDIMENT FACILITIES SHALL BE MAINTAINED IN A SATISFACTORY CONDITION AS DETERMINED BY THE CITY, UNTIL SUCH TIME THAT CLEARING AND/OR CONSTRUCTION IS COMPLETED AND THE POTENTIAL FOR ON-SITE EROSION HAS PASSED. THE IMPLEMENTATION, MAINTENANCE, REPLACEMENT, AND ADDITIONS TO THE EROSION AND SEDIMENTATION CONTROL SYSTEMS SHALL BE THE RESPONSIBILITY OF THE PERMITEE.
3. THE EROSION AND SEDIMENTATION CONTROL SYSTEM FACILITIES DEPICTED ON THESE PLANS ARE INTENDED TO BE MINIMUM REQUIREMENTS TO MEET ANTICIPATED SITE CONDITIONS. AS CONSTRUCTION PROGRESSES AND UNEXPECTED OR SEASONAL CONDITIONS DICTATE, FACILITIES WILL BE NECESSARY TO ENSURE COMPLETE SILTATION CONTROL ON THE SITE. DURING THE COURSE OF CONSTRUCTION, IT SHALL BE THE OBLIGATION AND RESPONSIBILITY OF THE PERMITEE TO ADDRESS AND NEW CONDITIONS THAT MAY BE CREATED BY HIS ACTIVITIES AND TO PROVIDE ADDITIONAL FACILITIES. OVER AND ABOVE THE MINIMUM REQUIREMENTS, AS MAY BE NEEDED TO PROTECT ADJACENT PROPERTIES, SENSITIVE AREAS, NATURAL WATER COURSES, AND/OR STORM DRAINAGE SYSTEMS.
4. APPROVAL OF THESE PLANS IS FOR GRADING TEMPORARY DRAINAGE, EROSION, AND SEDIMENTATION CONTROL ONLY. IT DOES NOT CONSTITUTE AND APPROVAL OF PERMANENT STORM DRAINAGE DESIGN, SIZE, OR LOCATION OF PIPES, RESTRICTORS, CHANNELS, OR RETENTION FACILITIES.
5. ANY DISTURBED AREA WHICH HAS BEEN STRIPPED OF VEGETATION AND WHERE NO FURTHER WORKS IS ANTICIPATED FOR A PERIOD OF 30 DAYS OR MORE, MUST BE IMMEDIATELY STABILIZED WITH MULCHING, GRASS PLANTING, OR OTHER APPROVED EROSION CONTROL TREATMENT APPLICABLE TO THE TIME OF YEAR IN QUESTION. GRASS SEEDING ALONE WILL BE ACCEPTABLE ONLY DURING THE MONTHS OF APRIL THROUGH SEPTEMBER INCLUSIVE. SEEDING MAY PROCEED OUTSIDE THE SPECIFIED TIME PERIOD WHENEVER IT IS IN THE INTEREST OF THE PERMITEE BUT MUST BE AUGMENTED WITH MULCHING, NETTING, OR OTHER TREATMENT APPROVED BY THE CITY.
6. IN CASE EROSION OR SEDIMENTATION OCCUR TO ADJACENT PROPERTIES, ALL CONSTRUCTION WORK WITHIN THE DEVELOPMENT THAT WILL FURTHER AGGRAVATE THE SITUATION MUST CEASE, AND THE OWNER/CONTRACTOR WILL IMMEDIATELY COMMENCE RESTORATION METHODS. RESTORATION ACTIVITY WILL CONTINUE UNTIL SUCH TIME AS THE AFFECTED PROPERTY OWNER IS SATISFIED.
7. NO TEMPORARY OR PERMANENT STOCKPILING OF MATERIALS OR EQUIPMENT SHALL OCCUR WITHIN CRITICAL AREAS OR ASSOCIATED BUFFERS, OR THE CRITICAL ROOT ZONE FOR VEGETATION PROPOSED FOR RETENTION.

NOTICE
ALTERATION OF THIS DOCUMENT SHALL INVALIDATE THE PROFESSIONAL SEAL AND SIGNATURE. PRODUCTION OF THIS DOCUMENT DOES NOT CONSTITUTE A GUARANTEE OR WARRANTY. THE USER SHALL BE RESPONSIBLE FOR THE PROPER USE OF THIS DOCUMENT. THIS DOCUMENT IS TO BE USED FOR THE PROJECT ONLY FOR THE PROJECT IDENTIFIED IN THE TITLE BLOCK AND IS NOT TO BE USED FOR ANY OTHER PROJECT.



- NOTES:**
1. FILTERS SHALL BE INSPECTED AFTER EACH STORM EVENT AND CLEANED OR REPLACED WHEN 1/3 FULL.
 2. INSTALL INLET PROTECTION IN ALL NEW STORM STRUCTURES THAT WILL COLLECT STORMWATER AS THEY ARE INSTALLED.

3 INLET PROTECTION

NOT TO SCALE



Know what's below.
Call before you dig.

APPROVED

BY: CITY OF PUYALLUP
ENGINEERING SERVICES

DATE:

NOTE: THIS APPROVAL IS VOID AFTER 1 YEAR FROM APPROVAL DATE. THE CITY WILL NOT BE RESPONSIBLE FOR ERRORS AND/OR OMISSIONS ON THESE PLANS. FIELD CONDITIONS MAY DICTATE CHANGES TO THESE PLANS AS DETERMINED BY THE ENGINEERING SERVICES MANAGER.

Revisions:

Sheet Title:
NOTES AND DETAILS

Designed by: MH
Drawn by: SBK
Checked by: TCS

Sheet No.

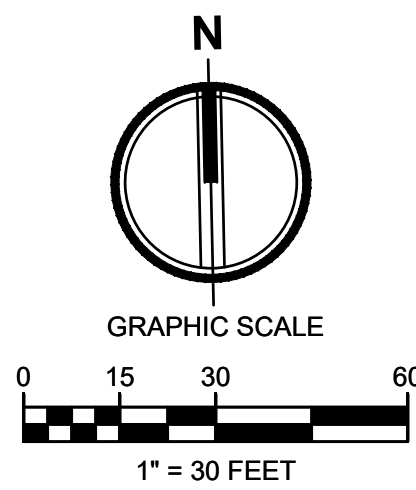


C1.2

VALUEof 12 Sheets

LARSON RIVER ROAD AUTO STORAGE

A PORTION OF THE NE 1/4 OF THE SE 1/4 OF SEC. 20, TWN. 20 N., RGE. 04 E. W.M.
CITY OF PUYALLUP, PIERCE COUNTY, WASHINGTON.



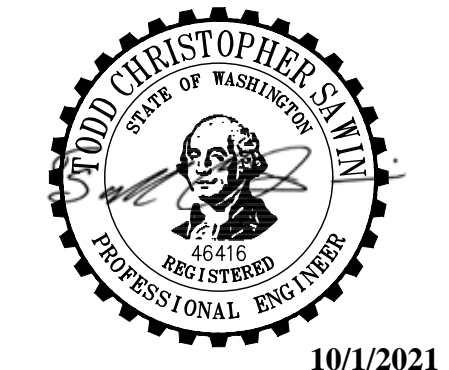
2215 North 30th Street, Suite 300, Tacoma, WA 98403
253.383.2422 TEL 253.383.2572 FAX www.ahbl.com WEB

Project Title:
LARSON RIVER ROAD STORAGE

Client:
LARSON AUTOMOTIVE GROUP
1409 ALEXANDER AVENUE EAST
FIFE, WA 98424-1109
JOSH LARSON

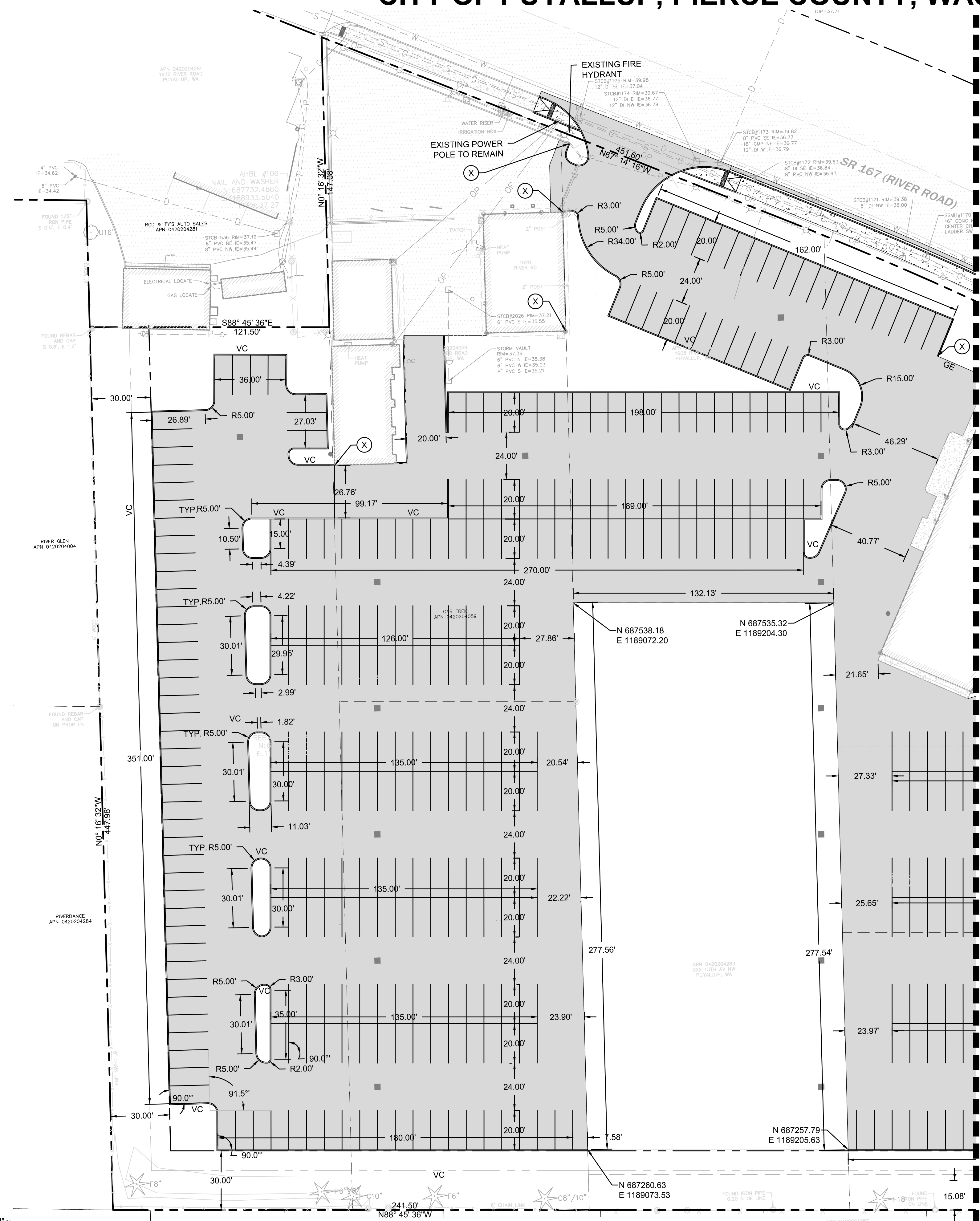
Job No.
2160102.10

Issue Set & Date:
PERMIT SET
10/1/2021



10/1/2021

NOTICE
ALTERATION OF THIS DOCUMENT SHALL MAINTAIN THE PROFESSIONAL SEAL AND SIGNATURE. PRODUCTION OF THIS DOCUMENT DOES NOT CONSTITUTE A GUARANTEE OR WARRANTY. THE USER SHALL BE RESPONSIBLE FOR THE USE OF THIS DOCUMENT AND SHALL BE RESPONSIBLE FOR THE ACCURACY OF THE INFORMATION PROVIDED HEREIN. THIS DOCUMENT IS NOT TO BE USED FOR ANY OTHER PROJECTS OR FOR ANY OTHER PURPOSES.



PAVING NOTES

- THE EXISTING SITE SOILS REQUIRE PROPER COMPACTION PRIOR TO PLACEMENT OF PAVING AND UTILITY IMPROVEMENTS.
- CONTRACTOR SHALL ASSURE POSITIVE DRAINAGE AWAY FROM BUILDINGS FOR ALL PAVED AND NON-PAVED AREAS, AND SHALL GRADE ALL AREAS TO PRECLUDE PONDING OF SURFACE WATER.
- THE SPOT ELEVATIONS INDICATED ON THESE PLANS REPRESENTS THE DESIGN TOP OF PAVEMENT UNLESS NOTED OTHERWISE.
- ADA ROUTES SHALL NOT EXCEED 5% IN THE DIRECTION OF TRAVEL UNLESS HANDRAILS ARE PROVIDED. LANDINGS AT NO MORE THAN 2% SHALL BE PROVIDED FOR EVERY 2.5 FEET OF RISE. CROSS SLOPE SHALL NOT EXCEED 2%.
- TOP OF WALL AND BOTTOM OF WALL SPOT ELEVATIONS SHOWN ON THESE PLANS REPRESENT THE TOP OF PAVEMENT OR TOPSOIL ADJACENT TO THE WALL. REFER TO STRUCTURAL DRAWINGS FOR ACTUAL WALL ELEVATIONS.
- TYPICAL CURB HEIGHT IS SIX INCHES UNLESS NOTED OTHERWISE.

KEYNOTES

- CURB CUT
- ADA-COMPLIANT PARKING STALL. SLOPE SHALL NOT EXCEED 2.0% IN ANY DIRECTION.
- PERPENDICULAR CURB RAMP PER WSDOT STANDARD PLAN F-40.15-04.
- PARALLEL CURB RAMP PER WSDOT STANDARD PLAN F-40.12-03.

LEGEND:

- RIGHT-OF-WAY/PROPERTY LINE
- CENTERLINE
- PROPOSED BUILDING OUTLINE
- FENCING - REFER TO LANDSCAPE ARCHITECT'S DRAWINGS.
- ASPHALT PAVEMENT - STANDARD DUTY
- CEMENT CONCRETE - STANDARD DUTY
- BOLLARD PROTECTION
- CEMENT CONCRETE WHEEL STOP
- ADA ACCESSIBLE PARKING STALL
- CHANGE IN CURB TYPE / END CURB
- EDGE OF PAVEMENT WITH 12" WIDE CSBC AT EDGE OF PAVEMENT
- VERTICAL CURB
- EXTRUDED CURB
- ROLLED CURB
- GRAVEL SURFACING

MATCHLINE SEE SHEET C2.1



APPROVED
BY: CITY OF PUYALLUP
ENGINEERING SERVICES
DATE:
NOTE: THIS APPROVAL IS VOID AFTER 1 YEAR FROM APPROVAL DATE. THE CITY WILL NOT BE RESPONSIBLE FOR ERRORS AND/OR OMISSIONS ON THESE PLANS. FIELD CONDITIONS MAY DICTATE CHANGES TO THESE PLANS AS DETERMINED BY THE ENGINEERING SERVICES MANAGER.



Revisions:

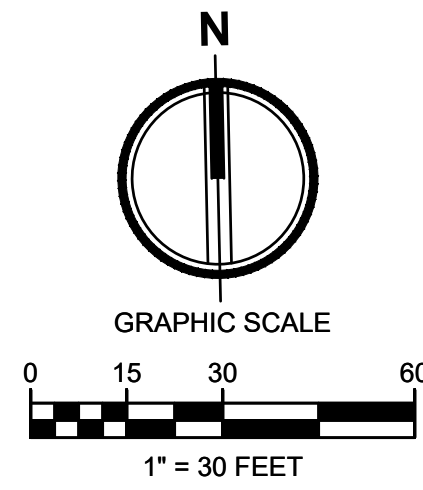
Sheet Title:
PAVING AND HORIZONTAL CONTROL

Designed by: MH
Drawn by: SBK
Checked by: TCS

Sheet No.
C2.0
4 of 12 Sheets

LARSON RIVER ROAD AUTO STORAGE

A PORTION OF THE NE 1/4 OF THE SE 1/4 OF SEC. 20, TWN. 20 N., RGE. 04 E. W.M.
CITY OF PUYALLUP, PIERCE COUNTY, WASHINGTON.



2215 North 30th Street, Suite 300, Tacoma, WA 98403
253.383.2422 TEL 253.383.2572 FAX www.ahbl.com WEB

Project Title:
LARSON RIVER ROAD STORAGE

Client:
LARSON AUTOMOTIVE GROUP
1409 ALEXANDER AVENUE EAST
FIFE, WA 98424-1109
JOSH LARSON

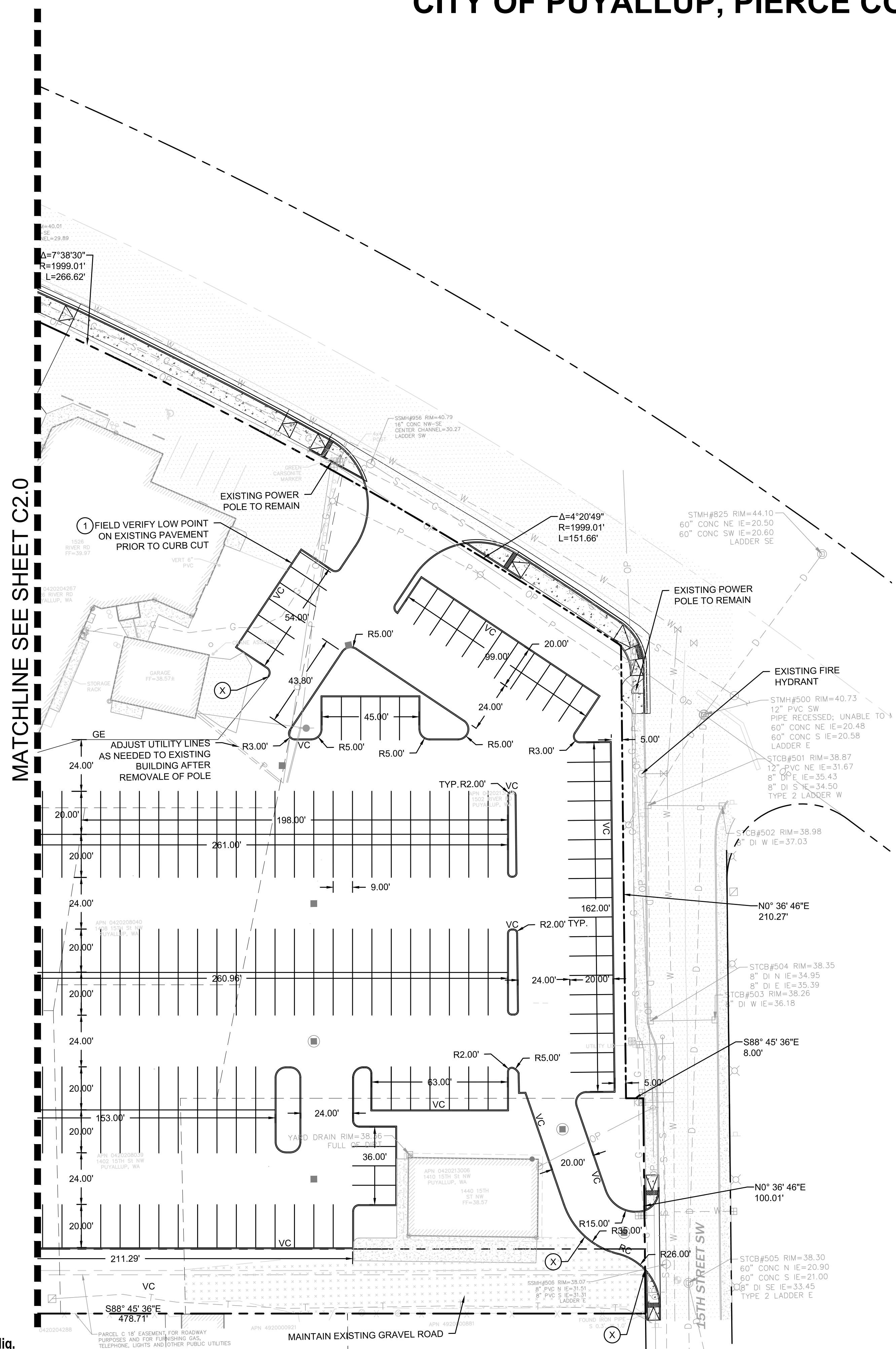
Job No.
2160102.10

Issue Set & Date:
PERMIT SET
10/1/2021



10/1/2021

NOTICE
ALTERATION OF THIS DOCUMENT SHALL MAINTAIN THE PROFESSIONAL SEAL AND SIGNATURE. PRODUCTION OF THIS DOCUMENT DOES NOT CONSTITUTE A REVIEW OF THE PROJECT OR A GUARANTEE OF THE ACCURACY OF THE INFORMATION PROVIDED HEREIN. THE USER SHALL BE RESPONSIBLE FOR VERIFYING THE ACCURACY OF THE INFORMATION PROVIDED HEREIN AND FOR OBTAINING NECESSARY PERMITS AND APPROVALS FROM THE APPROPRIATE AGENCIES.



MATCHLINE SEE SHEET C2.0

PAVING NOTES

- THE EXISTING SITE SOILS REQUIRE PROPER COMPACTION PRIOR TO PLACEMENT OF PAVING AND UTILITY IMPROVEMENTS.
- CONTRACTOR SHALL ASSURE POSITIVE DRAINAGE AWAY FROM BUILDINGS FOR ALL PAVED AND NON-PAVED AREAS, AND SHALL GRADE ALL AREAS TO PRECLUDE PONDING OF SURFACE WATER.
- THE SPOT ELEVATIONS INDICATED ON THESE PLANS REPRESENTS THE DESIGN TOP OF PAVEMENT UNLESS NOTED OTHERWISE.
- ADA ROUTES SHALL NOT EXCEED 5% IN THE DIRECTION OF TRAVEL UNLESS HANDRAILS ARE PROVIDED. LANDINGS AT NO MORE THAN 2% SHALL BE PROVIDED FOR EVERY 2.5 FEET OF RISE. CROSS SLOPE SHALL NOT EXCEED 2%.
- TOP OF WALL AND BOTTOM OF WALL SPOT ELEVATIONS SHOWN ON THESE PLANS REPRESENT THE TOP OF PAVEMENT OR TOPSOIL ADJACENT TO THE WALL. REFER TO STRUCTURAL DRAWINGS FOR ACTUAL WALL ELEVATIONS.
- TYPICAL CURB HEIGHT IS SIX INCHES UNLESS NOTED OTHERWISE.

KEYNOTES

- CURB CUT
- ADA-COMPLIANT PARKING STALL. SLOPE SHALL NOT EXCEED 2.0% IN ANY DIRECTION.
- PERPENDICULAR CURB RAMP PER WSDOT STANDARD PLAN F-40.15-04.
- PARALLEL CURB RAMP PER WSDOT STANDARD PLAN F-40.12-03.

LEGEND:

- RIGHT-OF-WAY/PROPERTY LINE
- CENTERLINE
- PROPOSED BUILDING OUTLINE
- FENCING - REFER TO LANDSCAPE ARCHITECTS DRAWINGS.
- ASPHALT PAVEMENT - STANDARD DUTY
- CEMENT CONCRETE - STANDARD DUTY
- BOLLARD PROTECTION
- CEMENT CONCRETE WHEEL STOP
- ADA ACCESSIBLE PARKING STALL
- CHANGE IN CURB TYPE / END CURB
- EDGE OF PAVEMENT WITH 12" WIDE CSBC AT EDGE OF PAVEMENT
- VERTICAL CURB
- EXTRUDED CURB
- ROLLED CURB
- GRAVEL SURFACING

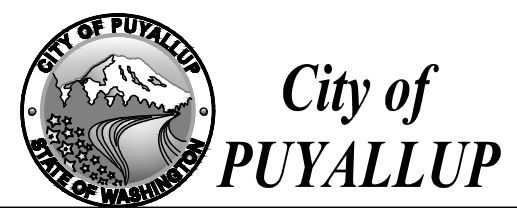


APPROVED

BY: _____
CITY OF PUYALLUP
ENGINEERING SERVICES

DATE: _____

NOTE: THIS APPROVAL IS VOID AFTER 1 YEAR FROM APPROVAL DATE. THE CITY WILL NOT BE RESPONSIBLE FOR ERRORS AND/OR OMISSIONS ON THESE PLANS. FIELD CONDITIONS MAY DICTATE CHANGES TO THESE PLANS AS DETERMINED BY THE ENGINEERING SERVICES MANAGER.



△

△

△

△

Revisions:

Sheet Title:

PAVING AND HORIZONTAL CONTROL

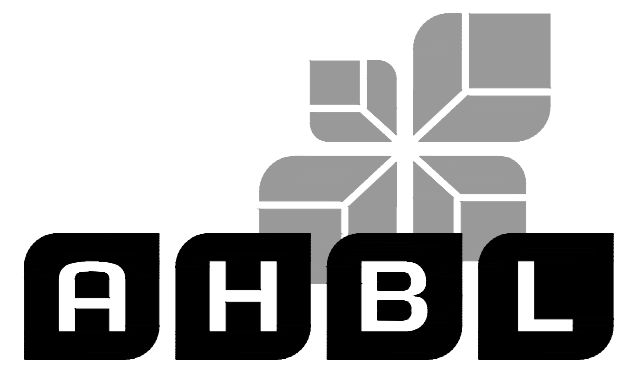
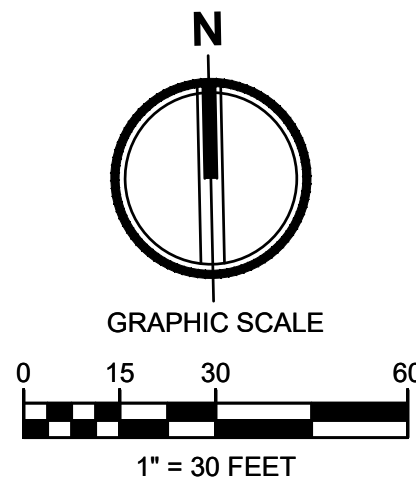
Designed by: MH Drawn by: SBK Checked by: TCS

Sheet No.

C2.1
5 of 12 Sheets

LARSON RIVER ROAD AUTO STORAGE

A PORTION OF THE NE 1/4 OF THE SE 1/4 OF SEC. 20, TWN. 20 N., RGE. 04 E. W.M.
CITY OF PUYALLUP, PIERCE COUNTY, WASHINGTON.



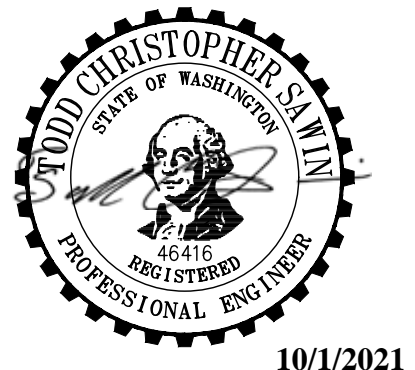
TACOMA • SEATTLE • SPOKANE • TRI-CITIES
2215 North 30th Street, Suite 300, Tacoma, WA 98403
253.383.2422 TEL 253.383.2572 FAX www.ahbl.com WEB

Project Title:
LARSON RIVER ROAD STORAGE

Client:
LARSON AUTOMOTIVE GROUP
1409 ALEXANDER AVENUE EAST
FIFE, WA 98424-1109
JOSH LARSON

Job No.
2160102.10

Issue Set & Date:
PERMIT SET
10/1/2021



NOTICE
ALTERATION OF THIS DOCUMENT SHALL MAINTAIN THE PROFESSIONAL SEAL AND SIGNATURE. PRODUCTION OF THIS DOCUMENT DOES NOT CONSTITUTE AN ENDORSEMENT OF THE PROJECT OR THE QUALITY OF THE WORK. THE USER OF THIS DOCUMENT SHALL BE RESPONSIBLE FOR OBTAINING ALL NECESSARY PERMITS AND APPROVALS FROM THE APPROPRIATE AGENCIES. THE USER SHALL BE RESPONSIBLE FOR OBTAINING ALL NECESSARY PERMITS AND APPROVALS FROM THE APPROPRIATE AGENCIES.

GRADING NOTES

- THE EXISTING SITE SOILS REQUIRE PROPER COMPACTION PRIOR TO PLACEMENT OF PAVING AND UTILITY IMPROVEMENTS.
- CONTRACTOR SHALL ASSURE POSITIVE DRAINAGE AWAY FROM BUILDINGS FOR ALL PAVED AND NON-PAVED AREAS, AND SHALL GRADE ALL AREAS TO PRECLUDE PONDING OF SURFACE WATER.
- THE SPOT ELEVATIONS INDICATED ON THESE PLANS REPRESENTS THE DESIGN TOP OF PAVEMENT UNLESS NOTED OTHERWISE.
- VEGETATED AREAS LOCATED ADJACENT TO THE BUILDING SHALL BE 6" MIN BELOW FINISH FLOOR ELEVATION UNLESS NOTED OTHERWISE.
- ADA ROUTES SHALL NOT EXCEED 5% IN THE DIRECTION OF TRAVEL UNLESS HANDRAILS ARE PROVIDED. LANDINGS AT NO MORE THAN 2% SHALL BE PROVIDED FOR EVERY 2.5 FEET OF RISE. CROSS SLOPE SHALL NOT EXCEED 2%.
- TYPICAL CURB HEIGHT IS SIX INCHES UNLESS NOTED OTHERWISE.

STORM DRAINAGE NOTES

- BARE GALVANIZED METAL SHALL NOT BE USED FOR MATERIALS THAT CONVEY STORMWATER, SUCH AS ROOFS, CANOPIES, SIDING, GUTTERS, DOWNSPOUTS, ROOF DRAINS AND PIPES. ANY GALVANIZED MATERIALS SHALL HAVE AN INERT, NON-LEACHABLE FINISH, SUCH AS BAKED ENAMEL, FLUOROCARBON PAINT (SUCH AS KYNAR OR HYLAR), FACTORY APPLIED EPOXY, PURE ALUMINUM, OR ASPHALT COATING. ACRYLIC PAINT, POLYESTER PAINT, FIELD-APPLIED, AND PART. ZINC (SUCH AS GALVALUME) COATINGS ARE NOT ACCEPTABLE.
- BURIED UTILITIES ARE SHOWN IN THEIR APPROXIMATE LOCATION. PRIOR TO INSTALLATION OF ANY PROJECT IMPROVEMENTS, CONTRACTOR SHALL VERIFY LOCATION AND ELEVATION OF EXISTING UTILITIES. IN THE EVENT OF ANY DISCREPANCY FROM THE INFORMATION PRESENTED ON THESE PLANS, CONTRACTOR SHALL NOTIFY THE DESIGN ENGINEER.
- CONSTRUCT ALL UTILITIES IN CONFORMANCE WITH THE STORM AND ROOF DRAIN TRENCH SECTION DETAIL UNLESS NOTED OTHERWISE.
- ALL STORM PIPES CONNECTING TO CONCRETE STRUCTURES SHALL BE GROUTED TO ASSURE CONNECTION AT STRUCTURE IS WATERTIGHT.
- ROOF TIGHT LINES ARE LOCATED ON DRAWINGS FOR CLARITY AND ARE TO BE INSTALLED IN ACCORDANCE WITH APPLICABLE CODES. ALL STORM DRAINAGE AND ROOF DRAIN LINE CLEANOUTS SHALL COMPLY WITH THE CLEANOUT DETAIL.
- ALL CATCH BASINS ARE TO BE SITUATED SUCH THAT THE OUTSIDE EDGE OF THE FRAME IS AT THE FACE OF THE CURB OF FLOW LINE OF GUTTER (WHERE APPLICABLE).
- ALL STORM DRAINAGE PIPE SHALL BE CPEP UNLESS NOTED OTHERWISE.
- ALL ROOF DRAINS SHALL BE 6" WITH A MINIMUM SLOPE OF 1.00% AND MINIMUM COVER OF 3" UNLESS NOTED OTHERWISE. PIPE MATERIAL SHALL BE PVC SDR35 UNLESS NOTED OTHERWISE.
- ALL TYPE 2 CATCH BASINS SHALL HAVE AN INSIDE DIAMETER OF 48" UNLESS NOTED OTHERWISE.
- ALL AREA DRAIN STRUCTURES SHALL BE 12" (INSIDE DIAMETER) NYOPLAST STRUCTURES, OR APPROVED EQUIVALENT, UNLESS OTHERWISE NOTED.
- ALL STRUCTURE GRATES SHALL BE LOCKING UNLESS NOTED OTHERWISE. GRATES SHALL CONFORM TO THE FOLLOWING UNLESS NOTED OTHERWISE:
VANED - WSDOT STANDARD PLAN B-30.30-01
HERRINGBONE - WSDOT STANDARD PLAN B-30.50-01
SOLID - WSDOT STANDARD PLANS B-30.20-02 AND B-30.70-03
BEEHIVE - OLYMPIC FOUNDRY PART NO. SM60BH OR APPROVED EQUIVALENT

LEGEND

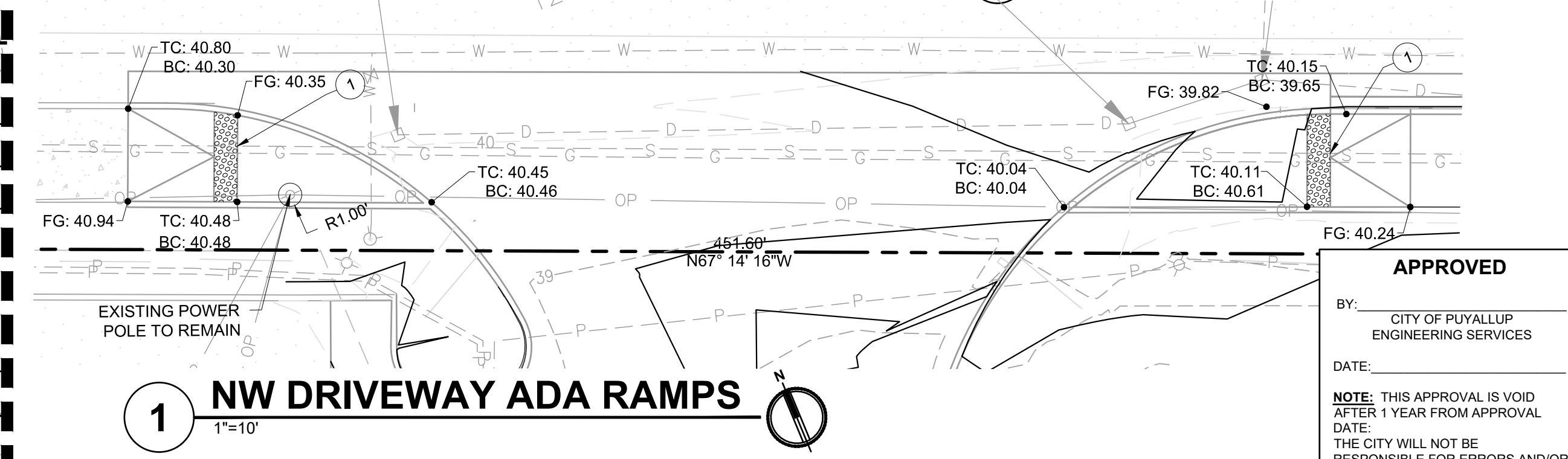
- RIGHT-OF-WAY / PROPERTY LINE
- CENTERLINE
- BUILDING OUTLINE
- PROPOSED MAJOR CONTOUR
- PROPOSED MINOR CONTOUR
- SPOT ELEVATION
- SLOPE
- RIDGE
- TW 123.45 TOP OF WALL
- BW 123.45 BACK OF WALL
- HP 123.45 HIGH POINT
- SEGMENTAL BLOCK WALL
- CATCH BASIN - TYPE II
- CATCH BASIN - TYPE I
- STORM DRAINAGE CLEANOUT
- STORM DRAINAGE PIPING
- ROOF DRAIN PIPING
- FOOTING DRAIN/PERFORATED UNDERDRAIN
- SANITARY SIDE SEWER
- SANITARY SEWER MAIN
- SANITARY SEWER FORCE MAIN
- SANITARY SEWER CLEANOUT
- SANITARY SEWER MANHOLE
- FIRE HYDRANT
- FIRE DEPARTMENT CONNECTION (FDC)
- METER AS NOTED
- POST INDICATOR VALVE (PIV)
- GATE VALVE
- THRUST BLOCKING
- FITTINGS AS NOTED
- FIRE SERVICE PIPING
- RIDGE
- VALLEY

KEYNOTES

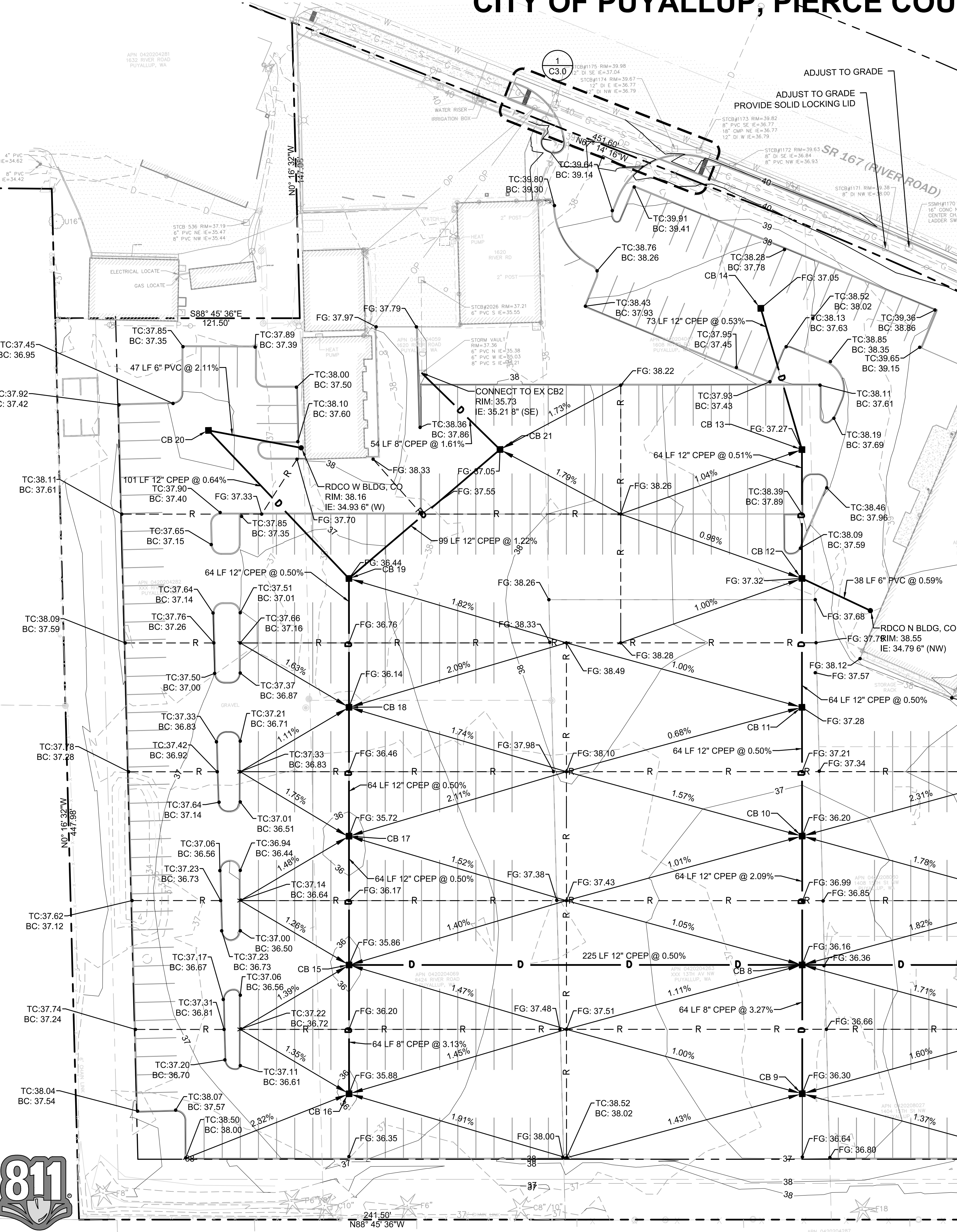
- SIDEWALK RAMP PER CITY OF PUYALLUP STD. DETAIL 01.02.19
- PARALLEL CURB RAMP PER WSDOT STANDARD PLAN F-40.12-03.

STORM STRUCTURE TABLE	
STRUCTURE NAME	STRUCTURE DETAILS
CB 8 TYPE 1 N 687354.05 E 1189194.06	RIM = 36.16 IE = 31.03 (8" S) IE = 30.70 (12" N) IE = 30.70 (12" W) IE = 30.20 (18" E)
CB 9 TYPE 1 N 687290.08 E 1189192.70	RIM = 36.30 IE = 33.12 (8" N)
CB 10 TYPE 1 N 687418.03 E 1189195.42	RIM = 36.20 IE = 32.04 (12" S) IE = 32.04 (12" N)
CB 11 TYPE 1 N 687482.00 E 1189196.70	RIM = 37.28 IE = 32.36 (12" N) IE = 32.36 (12" S)
CB 12 TYPE 1 N 687546.02 E 1189199.09	RIM = 37.32 IE = 32.68 (12" N) IE = 32.68 (12" S) IE = 34.57 (6" SE)
CB 13 TYPE 1 N 687610.00 E 1189199.46	RIM = 37.27 IE = 33.00 (12" N) IE = 33.00 (12" S)
CB 14 TYPE 1 N 687680.60 E 1189180.55	RIM = 37.05 IE = 33.39 (12" S)
CB 15 TYPE 1 N 687358.88 E 1188969.04	RIM = 35.86 IE = 31.33 (8" S) IE = 31.83 (12" E)
CB 16 TYPE 1 N 687294.90 E 1188967.67	RIM = 35.88 IE = 33.33 (8" N)
CB 17 TYPE 1 N 687422.86 E 1188970.40	RIM = 35.72 IE = 32.15 (12" N) IE = 32.15 (12" S)
CB 18 TYPE 1 N 687486.86 E 1188971.78	RIM = 36.14 IE = 32.47 (12" N) IE = 32.47 (12" S)
CB 19 TYPE 1 N 687550.84 E 1188973.15	RIM = 36.44 IE = 32.79 (12" NW) IE = 32.79 (12" S) IE = 32.79 (12" NE)
CB 20 TYPE 1 N 687625.90 E 1188905.00	RIM = 36.70 IE = 33.44 (12" SE) IE = 33.94 (6" E)
CB 21 TYPE 1 N 687613.28 E 1189049.54	RIM = 37.05 IE = 34.00 (12" SW) IE = 34.33 (8" NW)

MATCHLINE SEE SHEET C3.1



1 NW DRIVEWAY ADA RAMPS
1"=10'



Know what's below.
Call before you dig.

APPROVED

BY: CITY OF PUYALLUP
ENGINEERING SERVICES
DATE: _____
NOTE: THIS APPROVAL IS VOID AFTER 1 YEAR FROM APPROVAL DATE. THE CITY WILL NOT BE RESPONSIBLE FOR ERRORS AND/OR OMISSIONS ON THESE PLANS. FIELD CONDITIONS MAY DICTATE CHANGES TO THESE PLANS AS DETERMINED BY THE ENGINEERING SERVICES MANAGER.

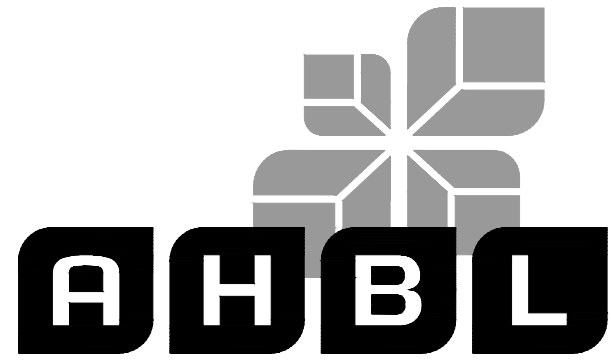
Designed by: MH
Drawn by: SBK
Checked by: TCS

Sheet No.
C3.0

6 of 12 Sheets

LARSON RIVER ROAD AUTO STORAGE

A PORTION OF THE NE 1/4 OF THE SE 1/4 OF SEC. 20, TWN. 20 N., RGE. 04 E. W.M.
CITY OF PUYALLUP, PIERCE COUNTY, WASHINGTON.



TACOMA · SEATTLE · SPOKANE · TRI-CITIES

2215 North 30th Street, Suite 300, Tacoma, WA 98403
253.383.2422 TEL 253.383.2572 FAX www.ahbl.com WEB

Project Title:
LARSON RIVER ROAD STORAGE

Client:
LARSON AUTOMOTIVE GROUP
1409 ALEXANDER AVENUE EAST
FIFE, WA 98424-1109
JOSH LARSON

Job No.
2160102.10

Issue Set & Date:

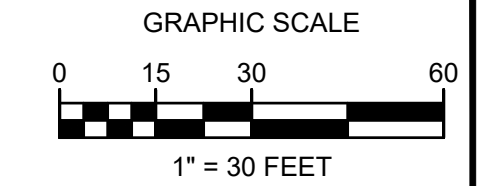
PERMIT SET

10/1/2021



10/1/2021

NOTICE
ALTERATION OF THIS DOCUMENT SHALL MAINTAIN THE PROFESSIONAL SEAL AND SIGNATURE. PRODUCTION OF THIS DOCUMENT DOES NOT CONSTITUTE A REVIEW OF THE PROJECT OR A GUARANTEE OF THE ACCURACY OF THE INFORMATION PROVIDED HEREIN. THE USER OF THIS DOCUMENT SHALL BE RESPONSIBLE FOR OBTAINING ALL NECESSARY PERMITS AND APPROVALS FROM THE APPROPRIATE AGENCIES AND AUTHORITIES. THE USER SHALL BE RESPONSIBLE FOR OBTAINING ALL NECESSARY PERMITS AND APPROVALS FROM THE APPROPRIATE AGENCIES AND AUTHORITIES. THE USER SHALL BE RESPONSIBLE FOR OBTAINING ALL NECESSARY PERMITS AND APPROVALS FROM THE APPROPRIATE AGENCIES AND AUTHORITIES.



GRADING NOTES

- THE EXISTING SITE SOILS REQUIRE PROPER COMPACTION PRIOR TO PLACEMENT OF PAVING AND UTILITY IMPROVEMENTS.
- CONTRACTOR SHALL ASSURE POSITIVE DRAINAGE AWAY FROM BUILDINGS FOR ALL PAVED AND NON-PAVED AREAS, AND SHALL GRADE ALL AREAS TO PRECLUDE PONDING OF SURFACE WATER.
- THE SPOT ELEVATIONS INDICATED ON THESE PLANS REPRESENTS THE DESIGN TOP OF PAVEMENT UNLESS NOTED OTHERWISE.
- VEGETATED AREAS LOCATED ADJACENT TO THE BUILDING SHALL BE 8" MIN BELOW FINISH FLOOR ELEVATION UNLESS NOTED OTHERWISE.
- ADA ROUTES SHALL NOT EXCEED 5% IN THE DIRECTION OF TRAVEL UNLESS HANDRAILS ARE PROVIDED. LANDINGS AT NO MORE THAN 2% SHALL BE PROVIDED FOR EVERY 2.5 FEET OF RISE. CROSS SLOPE SHALL NOT EXCEED 2%.
- TYPICAL CURB HEIGHT IS SIX INCHES UNLESS NOTED OTHERWISE.

STORM DRAINAGE NOTES

- BARE GALVANIZED METAL SHALL NOT BE USED FOR MATERIALS THAT CONVEY STORMWATER, SUCH AS ROOFS, CANOPIES, SIDING, GUTTERS, DOWNSPOUTS, ROOF DRAINS AND PIPES. ANY GALVANIZED MATERIALS SHALL HAVE AN INERT, NON-LEACHABLE FINISH, SUCH AS BAKED ENAMEL, FLUOROCARBON PAINT (SUCH AS KYMAR OR HYLAR), FACTORY-APPLIED EPOXY, PURE ALUMINUM, OR ASPHALT COATING. ACRYLIC PAINT, POLYESTER PAINT, FIELD-APPLIED, AND PART ZINC (SUCH AS GALVALUME) COATINGS ARE NOT ACCEPTABLE.
- BURIED UTILITIES ARE SHOWN IN THEIR APPROXIMATE LOCATION. PRIOR TO INSTALLATION OF ANY PROJECT IMPROVEMENTS, CONTRACTOR SHALL VERIFY LOCATION AND ELEVATION OF EXISTING UTILITIES. IN THE EVENT OF ANY DISCREPANCY FROM THE INFORMATION PRESENTED ON THESE PLANS, CONTRACTOR SHALL NOTIFY THE DESIGN ENGINEER.
- CONSTRUCT ALL UTILITIES IN CONFORMANCE WITH THE STORM AND ROOF DRAIN TRENCH SECTION DETAIL UNLESS NOTED OTHERWISE.
- ALL STORM PIPES CONNECTING TO CONCRETE STRUCTURES SHALL BE GROUDED TO ASSURE CONNECTION AT STRUCTURE IS WATERTIGHT.
- ROOF TIGHT LINES ARE LOCATED ON DRAWINGS FOR CLARITY AND ARE TO BE INSTALLED IN ACCORDANCE WITH APPLICABLE CODES. ALL STORM DRAINAGE AND ROOF DRAIN LINE CLEANOUTS SHALL COMPLY WITH THE CLEANOUT DETAIL.
- ALL CATCH BASINS ARE TO BE SITUATED SUCH THAT THE OUTSIDE EDGE OF THE FRAME IS AT THE FACE OF THE CURB OF FLOW LINE OF GUTTER (WHERE APPLICABLE).
- ALL STORM DRAINAGE PIPE SHALL BE CPEP UNLESS NOTED OTHERWISE.
- ALL ROOF DRAINS SHALL BE 6"Ø WITH A MINIMUM SLOPE OF 1.00% AND MINIMUM COVER OF 3' UNLESS NOTED OTHERWISE. PIPE MATERIAL SHALL BE PVC SDR35 UNLESS NOTED OTHERWISE.
- ALL TYPE 2 CATCH BASINS SHALL HAVE AN INSIDE DIAMETER OF 48" UNLESS NOTED OTHERWISE.
- ALL AREA DRAIN STRUCTURES SHALL BE 12" (INSIDE DIAMETER) NYOPLAST STRUCTURES, OR APPROVED EQUIVALENT, UNLESS OTHERWISE NOTED.
- ALL STRUCTURE GRATES SHALL BE LOCKING UNLESS NOTED OTHERWISE. GRATES SHALL CONFORM TO THE FOLLOWING UNLESS NOTED OTHERWISE:
VANED - WSDOT STANDARD PLAN B-30.30-01
HERRINGBONE - WSDOT STANDARD PLAN B-30.50-01
SOLID - WSDOT STANDARD PLANS B-30.20-02 AND B-30.70-03
BEEHIVE - OLYMPIC FOUNDRY PART NO. SM60BH OR APPROVED EQUIVALENT

KEYNOTES

- SIDEWALK RAMP PER CITY OF PUYALLUP STD. DETAIL 01.02.19
- PARALLEL CURB RAMP PER WSDOT STANDARD PLAN F-40.12-03.

LEGEND

- RIGHT-OF-WAY / PROPERTY LINE
- CENTERLINE
- BUILDING OUTLINE
- 123 PROPOSED MINOR CONTOUR
- 123 PROPOSED MAJOR CONTOUR
- 123.45 SPOT ELEVATION
- 1.0% OR 3:1 SLOPE
- R RIDGE
- TW 123.45 TOP OF WALL
- BW 123.45 BACK OF WALL
- HP 123.45 HIGH POINT
- SEGMENTAL BLOCK WALL
- CATCH BASIN - TYPE II
- CATCH BASIN - TYPE I
- STORM DRAINAGE CLEANOUT
- D STORM DRAINAGE PIPING
- RD ROOF DRAIN PIPING
- FD FOOTING DRAIN/PERFORATED UNDERDRAIN
- S SANITARY SIDE SEWER
- S SANITARY SEWER MAIN
- FM SANITARY SEWER FORCE MAIN
- SANITARY SEWER CLEANOUT
- SANITARY SEWER MANHOLE
- FIRE HYDRANT
- FIRE DEPARTMENT CONNECTION (FDC)
- METER AS NOTED
- POST INDICATOR VALVE (PIV)
- GATE VALVE
- THRUST BLOCKING
- FITTINGS AS NOTED
- F FIRE SERVICE PIPING
- R RIDGE
- V VALLEY

STRUCTURE NAME	STRUCTURE DETAILS
CB 1 96" TYPE 2 N 687257.50 E 1189543.13	RIM = 38.50 IE = 28.28 (18" NW) IE = 25.23 (18" SE)
CB 2 48" TYPE 2 N 687306.14 E 1189515.52	RIM = 38.28 IE = 28.56 (18" W) IE = 28.56 (18" SE) IE = 29.58 (6" SW)
CB 3 48" TYPE 2 N 687349.47 E 1189400.94	RIM = 37.23 IE = 30.00 (8" N) IE = 29.17 (18" E) IE = 29.17 (18" W) IE = 30.00 (8" S)
CB 4 TYPE 1 N 687285.50 E 1189399.58	RIM = 37.00 IE = 34.20 (8" N)
CB 5 TYPE 1 N 687413.42 E 1189402.32	RIM = 37.38 IE = 33.79 (8" S) IE = 33.79 (8" N)
CB 6 TYPE 1 N 687477.82 E 1189388.98	RIM = 38.18 IE = 34.76 (8" NE) IE = 34.76 (8" S)
CB 7 TYPE 1 N 687533.08 E 1189421.06	RIM = 40.34 IE = 36.78 (8" SW)
RDCO S BLDG CO N 687292.62 E 1189501.13	RIM = 38.62 IE = 35.54 (6" NE)

APPROVED

BY: CITY OF PUYALLUP
ENGINEERING SERVICES

DATE:

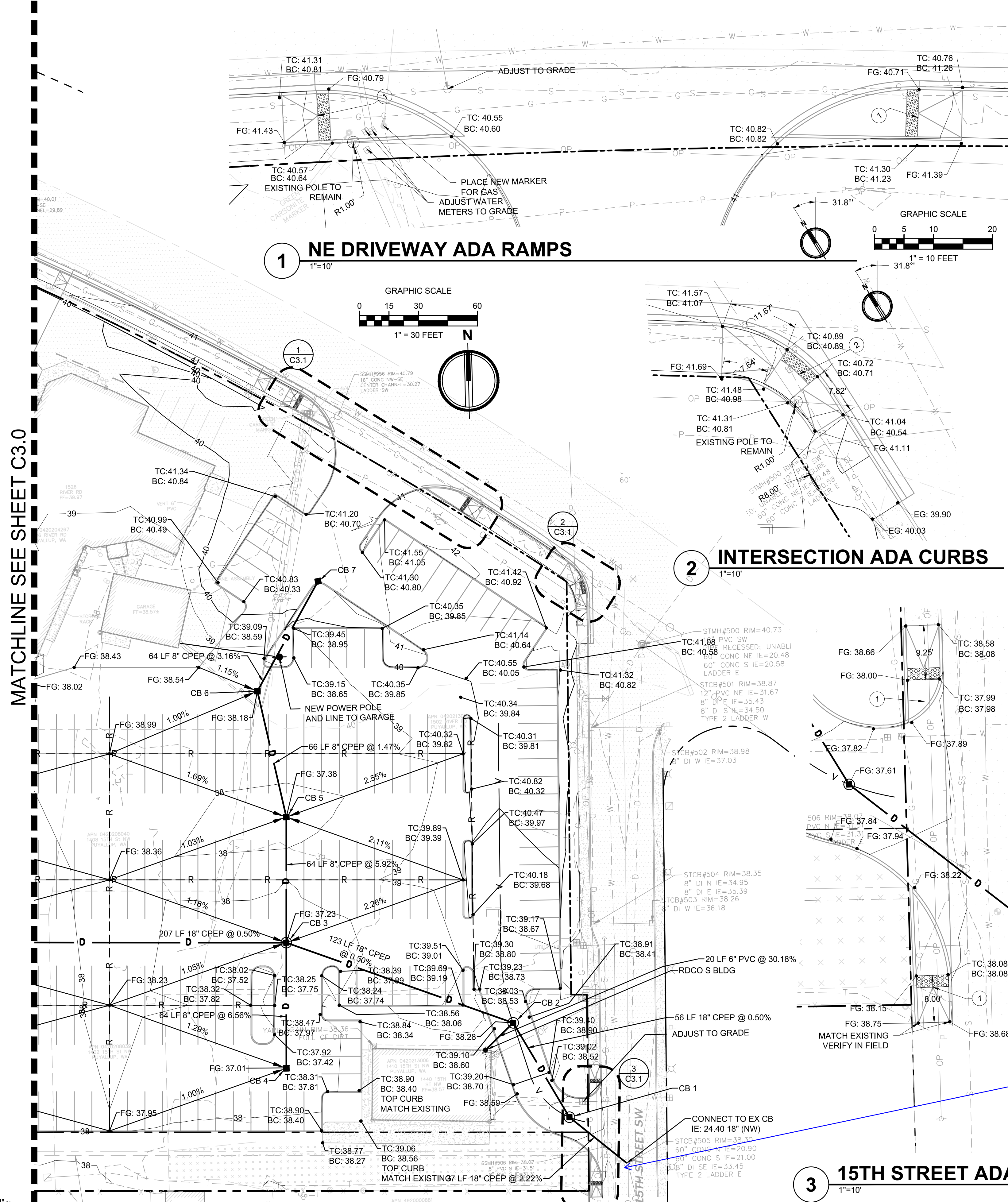
NOTE: THIS APPROVAL IS VOID AFTER 1 YEAR FROM APPROVAL DATE. THE CITY WILL NOT BE RESPONSIBLE FOR ERRORS AND/OR OMISSIONS ON THESE PLANS. FIELD CONDITIONS MAY DICTATE CHANGES TO THESE PLANS AS DETERMINED BY THE ENGINEERING SERVICES MANAGER.

Designed by: MH Drawn by: SBK Checked by: TCS

Sheet No.

C3.1

7 of 12 Sheets



MATCHLINE SEE SHEET C3.0

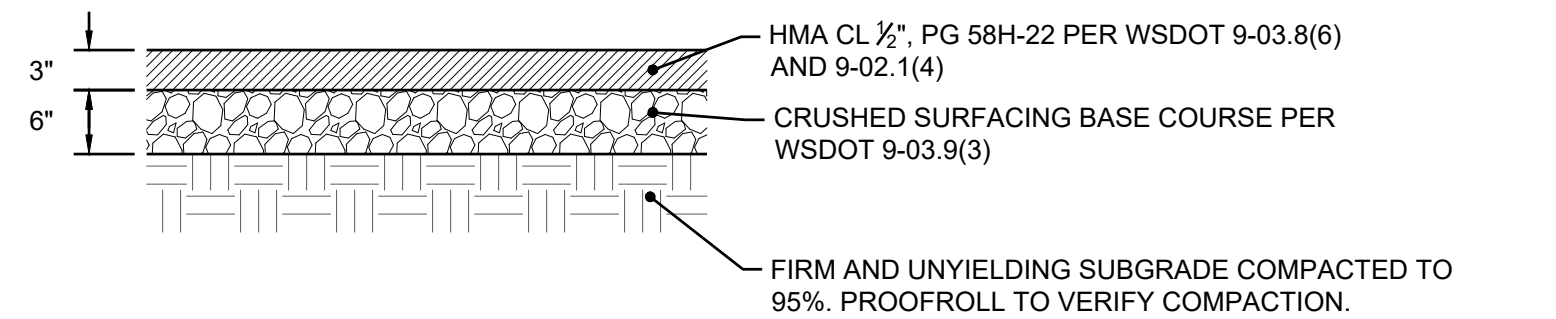
Provide details of access



Know what's below.
Call before you dig.

LARSON RIVER ROAD AUTO STORAGE

A PORTION OF THE NE 1/4 OF THE SE 1/4 OF SEC. 20, TWN. 20 N., RGE. 04 E. W.M.
CITY OF PUYALLUP, PIERCE COUNTY, WASHINGTON.

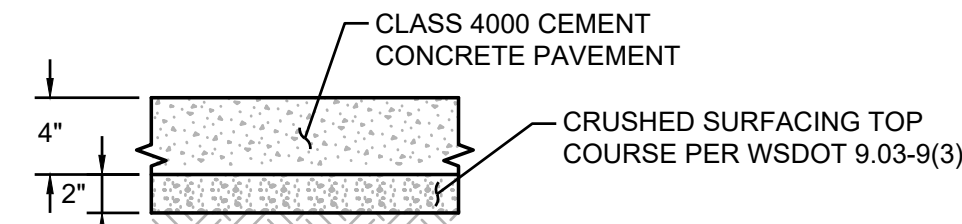


NOTES:

1. DEPTHS INDICATED ARE COMPACTED THICKNESS.
2. HMA SHALL BE COMPACTED TO A DENSITY OF 92% BASED ON THE RICE THEORETICAL MAXIMUM DENSITY PER ASTM D-2041.
3. ALL ASPHALT BASE MATERIAL SHALL BE COMPACTED TO A MINIMUM DENSITY OF 95% BASED ON THE MODIFIED PROCTOR MAXIMUM DRY DENSITY PER ASTM D-1557.
4. SUBGRADE SHALL BE COMPACTED TO A FIRM AND UNYIELDING CONDITION PRIOR TO PLACEMENT OF ANY PAVEMENT LAYERS. ANY LOCALIZED ZONES OF SOFT, ORGANIC-RICH, OR DEBRIS-LADEN SOILS SHOULD BE OVEREXCAVATED AND REPLACED WITH STRUCTURAL FILL MATERIAL.

1 ASPHALT PAVEMENT - STANDARD DUTY

NOT TO SCALE

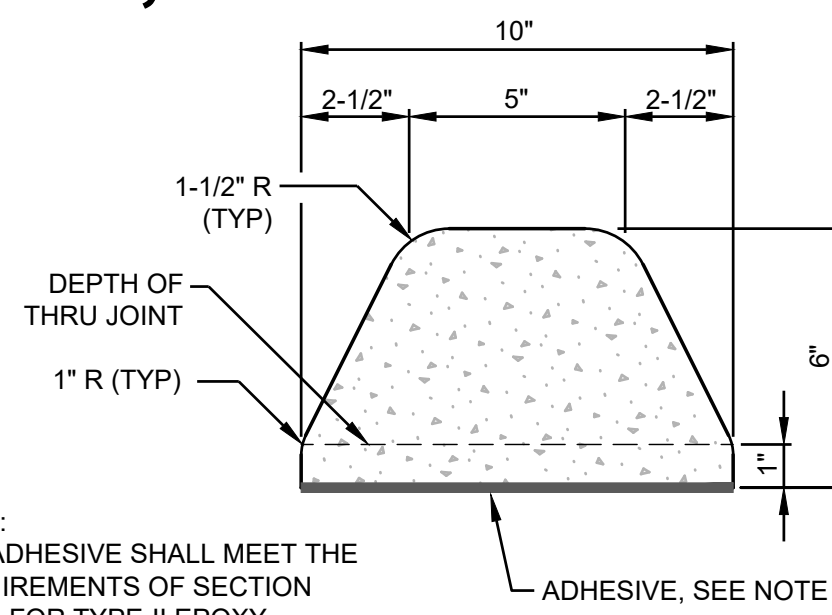


NOTES:

1. DEPTHS ARE COMPACTED THICKNESS.
2. DUMMY JOINTS CONSISTING OF 3/16" BE 2" PREMOLDED JOINT MATERIAL SHALL BE PLACED AT MAXIMUM 18 FOOT INTERVALS.
3. PROVIDE A TOOLED CONSTRUCTION JOINT AT MAXIMUM 6 FOOT INTERVAL.
4. THE CONTRACTOR SHALL EXPOSE EXISTING FILL, PROOF ROLL AND COMPACT TO 95%. IF YIELDING CONDITIONS ARE ENCOUNTERED, YIELDING MATERIALS SHALL BE REPLACED WITH IMPORTED STRUCTURAL FILL MATERIAL. THE DEPTH OF MATERIAL REPLACEMENT SHALL BE DETERMINED BY THE GEOTECHNICAL ENGINEER.

2 CEMENT CONCRETE - STANDARD DUTY

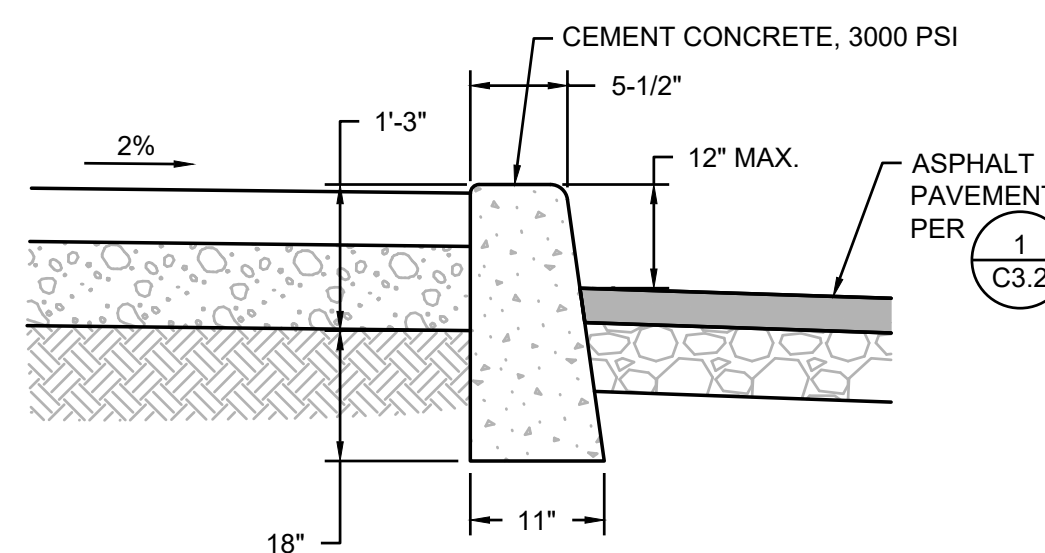
NOT TO SCALE



NOTE:
THE ADHESIVE SHALL MEET THE REQUIREMENTS OF SECTION 9-26.1 FOR TYPE-II EPOXY BONDING AGENT

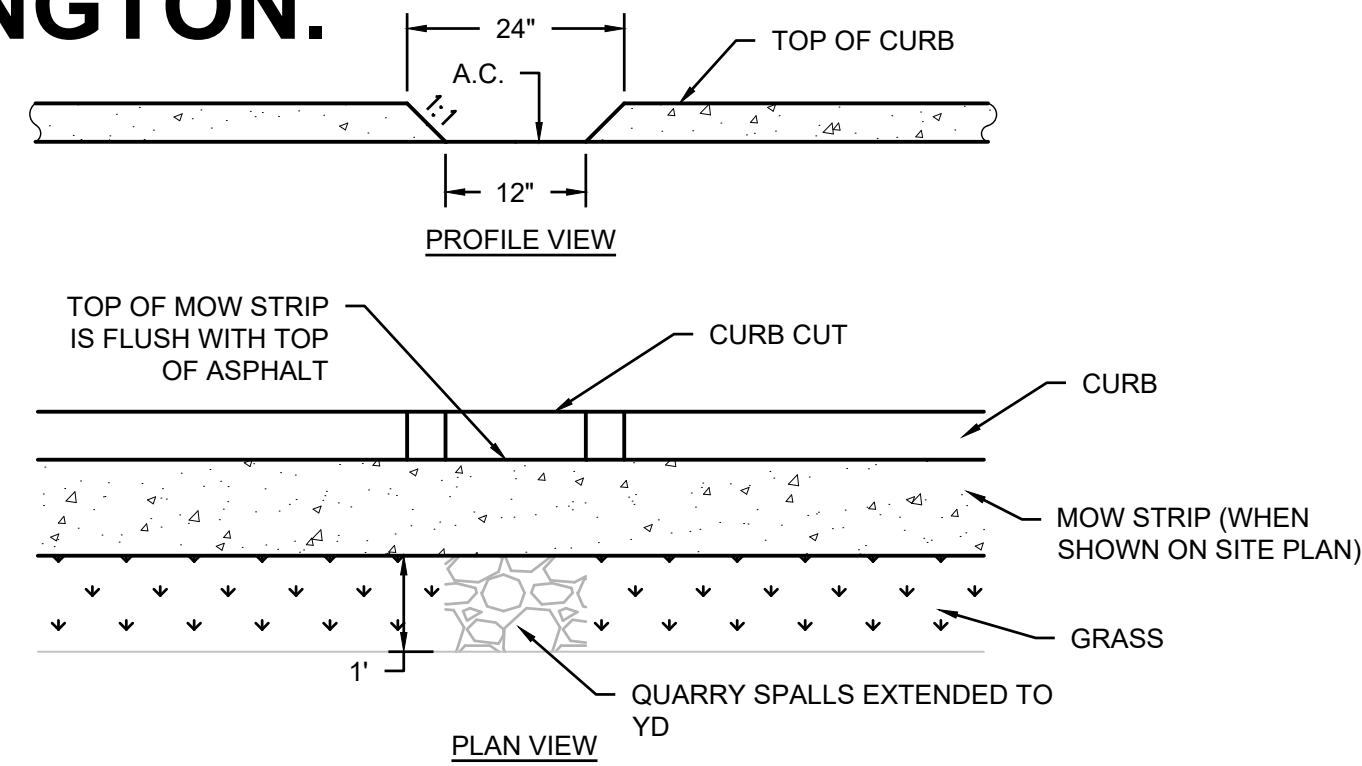
3 EXTRUDED CURB

NOT TO SCALE



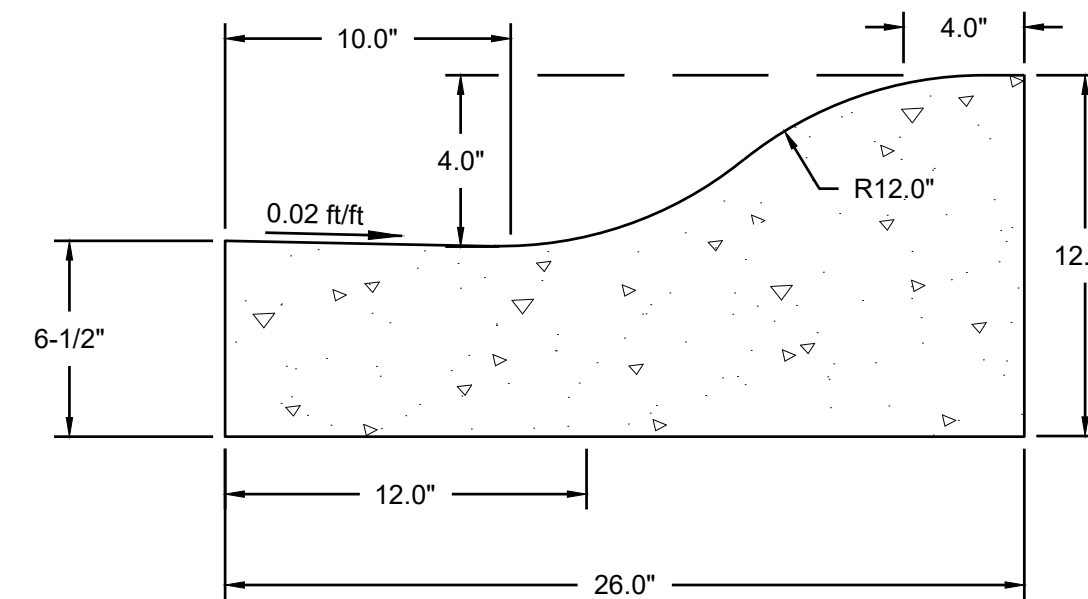
4 VERTICAL CURB

NOT TO SCALE



5 CURB CUT

NOT TO SCALE



6 ROLLED CURB

NOT TO SCALE

PLAN VIEW
STANDARD OUTLET RISER
FLOWKIT-43A

SECTION A-A

STORMFILTER DESIGN NOTES

STORMFILTER TREATMENT CAPACITY IS A FUNCTION OF THE CARTRIDGE SELECTION AND THE NUMBER OF CARTRIDGES. THE STANDARD MANHOLE STYLE IS SHOWN WITH THE MAXIMUM NUMBER OF CARTRIDGES (14). VOLUME SYSTEM IS ALSO AVAILABLE WITH MAXIMUM 14 CARTRIDGES. DRIP OF (24 IN) MANHOLE STORMFILTER PEAK HYDRAULIC CAPACITY IS 1.8 CFS (51 L/S). IF THE SITE CONDITIONS EXCEED 1.8 CFS (51 L/S) AN UPSTREAM BYPASS STRUCTURE IS REQUIRED.

CARTRIDGE SELECTION	2\"/>	
	RECOMMENDED HYDRAULIC DROPP (IN)	1.8 (45.7)
SPECIFIC FLOW RATE (gpm/ft ² L/min/ft ²)	2 (1.30)	1.6 (1.09)
CARTRIDGE FLOW RATE (gpm/L/min)	32 (11.4)	18 (6.3)

* 1.67 gpm/ft² (1.08 L/min/ft²) SPECIFIC FLOW RATE IS APPROVED WITH PHOSPHORUS (PSO8N) MEDIA ONLY.

SITE SPECIFIC DATA REQUIREMENTS

STRUCTURE ID	SDCB1
WATER QUALITY FLOW RATE (MG/L/S)	0.5178 CFS
PEAK FLOW RATE (MG/L/S)	PEAK 5.60 CFS
RETURN PERIOD OF PEAK FLOW (YR)	PEAK 100 YR
CARTRIDGE HEIGHT (SEE TABLE ABOVE)	18"
NUMBER OF CARTRIDGES REQUIRED	11
CARTRIDGE FLOW RATE	22.5 GPM (0.05 CFS)
MEDIA TYPE (PERLITE, ZPS, PSO8N)	ZPS

PIPE DATA:

PIPE	TYPE	MATERIAL	DIAMETER
INLET PIPE #1	18"	CPSP	18"
INLET PIPE #2	NA	CPSP	18"
OUTLET PIPE	18"	CPSP	18"
FLOW KIT	NA	CPSP	18"

ANTI-FLOTTATION BALLAST:

WIDTH	HEIGHT
NA	NA

NOTES/SPECIAL REQUIREMENTS:

- * PER ENGINEER OF RECORD

GENERAL NOTES:

1. CONTECH TO PROVIDE ALL MATERIALS UNLESS NOTED OTHERWISE.
2. DIMENSIONS MARKED WITH () ARE REFERENCE DIMENSIONS. ACTUAL DIMENSIONS MAY VARY.
3. FOR SITE SPECIFIC DRAWINGS WITH DETAILED VAULT DIMENSIONS AND WEIGHTS, PLEASE CONTACT YOUR CONTECH ENGINEERED SOLUTIONS LLC REPRESENTATIVE: www.conteches.com
4. STORMFILTER WATER QUALITY STRUCTURE SHALL BE IN ACCORDANCE WITH ALL DESIGN DATA AND INFORMATION CONTAINED IN THIS DRAWING.
5. STRUCTURE SHALL MEET AASHTO HS-20 LOAD RATING, ASSUMING EARTH COVER OF 0' - 5' (1524 mm) AND GROUNDWATER ELEVATION AT OR BELOW THE OUTLET PIPE INVERT ELEVATION. ENGINEER OF RECORD TO CONFIRM ACTUAL GROUNDWATER ELEVATION. CARTRIDGES SHALL MEET AASHTO M208 AND BE CAST WITH THE CONTECH LOGO.
6. FILTER CARTRIDGES SHALL BE MEDIA FILLED, RADIAL, SPINON ACTUATED, RADIAL FLOW, AND SELF-CLEANING. RADIAL MEDIA DEPTH SHALL BE 7-INCHES (178 mm). FILTER MEDIA CONTACT TIME SHALL BE AT LEAST 38 SECONDS.
7. SPECIFIC FLOW RATE IS EQUAL TO THE FILTER TREATMENT CAPACITY (gpm/ft² L/min/ft²) DIVIDED BY THE FILTER CONTACT SURFACE AREA (m²/ft²).
8. STORMFILTER STRUCTURE SHALL BE PRECAST CONCRETE CONFORMING TO ASTM C-478 AND AASHTO LOAD FACTOR DESIGN METHOD.

INSTALLATION NOTES:

- A. ANY SURFACE BACKFILL DEPTH, AND/OR ANTI-FLOTTATION PROVISIONS ARE SITE-SPECIFIC DESIGN CONSIDERATIONS AND SHALL BE SPECIFIED BY ENGINEER OF RECORD.
- B. CONTRACTOR TO PROVIDE EQUIPMENT WITH SUFFICIENT LIFTING AND REACH CAPACITY TO LIFT AND SET THE STORMFILTER STRUCTURE.
- C. CONTRACTOR TO INSTALL JOINT SEALANT BETWEEN ALL STRUCTURE SECTIONS AND ASSEMBLE STRUCTURE.
- D. CONTRACTOR TO PROVIDE, INSTALL, AND GROUT INLET AND OUTLET PIPES.
- E. CONTRACTOR TO PROVIDE AND INSTALL CONNECTOR TO THE OUTLET RISER STUB. STORMFILTER EQUIPPED WITH A DUAL DIAMETER HOPE OUTLET STUB AND LAND COLLAR. IF OUTLET PIPE IS LARGER THAN 8 INCHES (203 mm), CONTRACTOR TO REMOVE THE 8 INCH (203 mm) OUTLET STUB AT MOLDED-IN CUT LINE. COUPLING BY FERROD OR EQUAL, AND PROVIDED BY CONTRACTOR.
- F. CONTRACTOR TO TAKE APPROPRIATE MEASURES TO PROTECT CARTRIDGES FROM CONSTRUCTION RELATED EROSION RUNOFF.

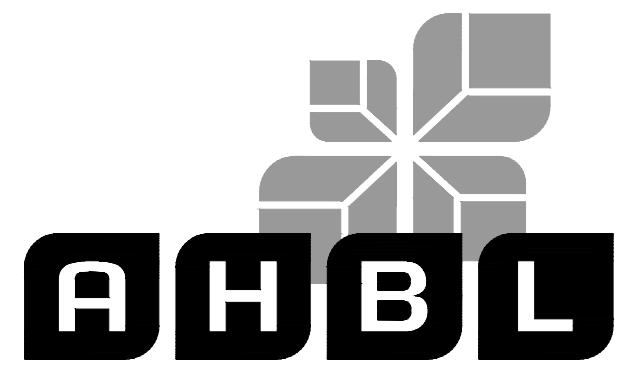
CONTECH ENGINEERED SOLUTIONS LLC

www.conteches.com
8025 Center Point Dr., Suite 400, West Chester, OH 45386
953-3361-1122 953-645-7000 953-645-7999 FAX

SFMH99
STORMFILTER
STANDARD DETAIL

7 STORMFILTER

NOT TO SCALE



TACOMA · SEATTLE · SPOKANE · TRI-CITIES

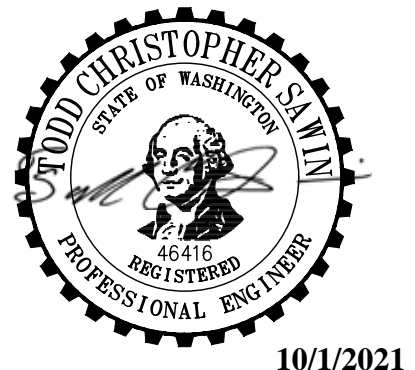
2215 North 30th Street, Suite 300, Tacoma, WA 98403
253.383.2422 TEL 253.383.2572 FAX www.ahbl.com WEB

Project Title:
LARSON RIVER ROAD STORAGE

Client:
LARSON AUTOMOTIVE GROUP
1409 ALEXANDER AVENUE EAST
FIFE, WA 98424-1109
JOSH LARSON

Job No.
2160102.10

Issue Set & Date:
PERMIT SET
10/1/2021



10/1/2021

NOTICE:
ALTERATION OF THIS DOCUMENT SHALL MAINTAIN THE PROFESSIONAL SEAL AND SIGNATURE. PRODUCTION OF THIS DOCUMENT DOES NOT CONSTITUTE A WAIVER OF ANY RIGHTS OR OBLIGATIONS OF THE ENGINEER. THIS DOCUMENT IS TO BE USED ONLY FOR THE PROJECT AND SITE SPECIFIC TO THAT PROJECT OR FOR ANY OTHER PROJECT.

Revisions:

Sheet Title:

DETAILS

APPROVED

BY: _____
CITY OF PUYALLUP
ENGINEERING SERVICES

DATE: _____

NOTE: THIS APPROVAL IS VOID AFTER 1 YEAR FROM APPROVAL DATE. THE CITY WILL NOT BE RESPONSIBLE FOR ERRORS AND/OR OMISSIONS ON THESE PLANS. FIELD CONDITIONS MAY DICTATE CHANGES TO THESE PLANS AS DETERMINED BY THE ENGINEERING SERVICES MANAGER.

Designed by: MH **Drawn by:** SBK **Checked by:** TCS

Sheet No.

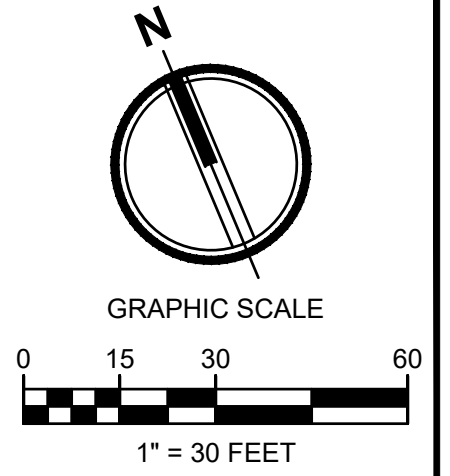
C3.2
8 of 12 Sheets



Know what's below.
Call before you dig.

LARSON RIVER ROAD AUTO STORAGE

A PORTION OF THE NE 1/4 OF THE SE 1/4 OF SEC. 20, TWN. 20 N., RGE. 04 E. W.M.
CITY OF PUYALLUP, PIERCE COUNTY, WASHINGTON.



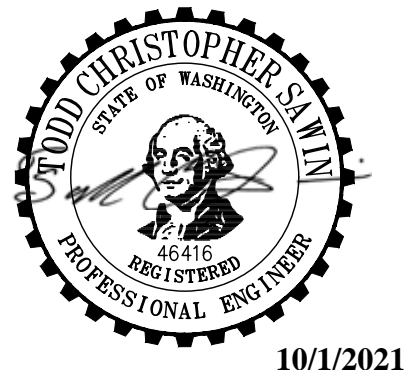
2215 North 30th Street, Suite 300, Tacoma, WA 98403
253.383.2422 TEL 253.383.2572 FAX www.ahbl.com WEB

Project Title:
LARSON RIVER ROAD STORAGE

Client:
LARSON AUTOMOTIVE GROUP
1409 ALEXANDER AVENUE EAST
FIFE, WA 98424-1109
JOSH LARSON

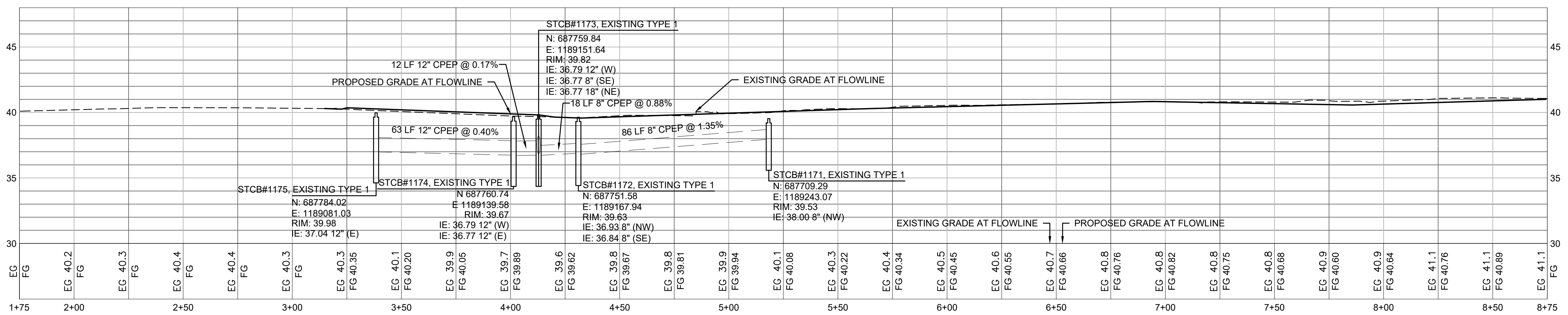
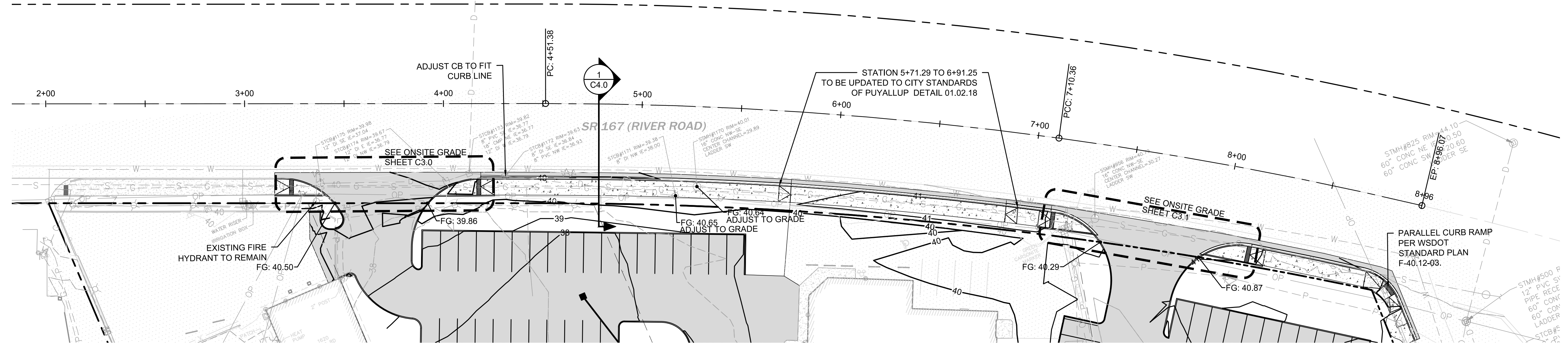
Job No.
2160102.10

Issue Set & Date:
PERMIT SET
10/1/2021

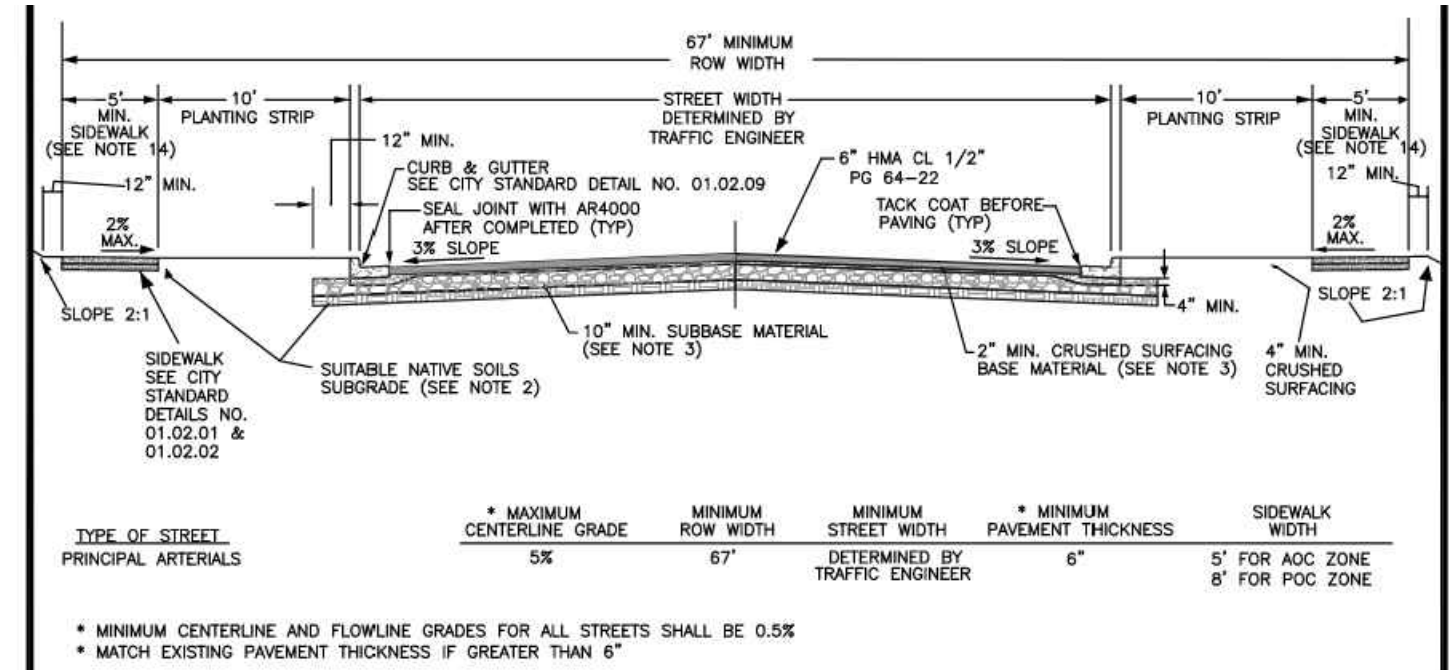


10/1/2021

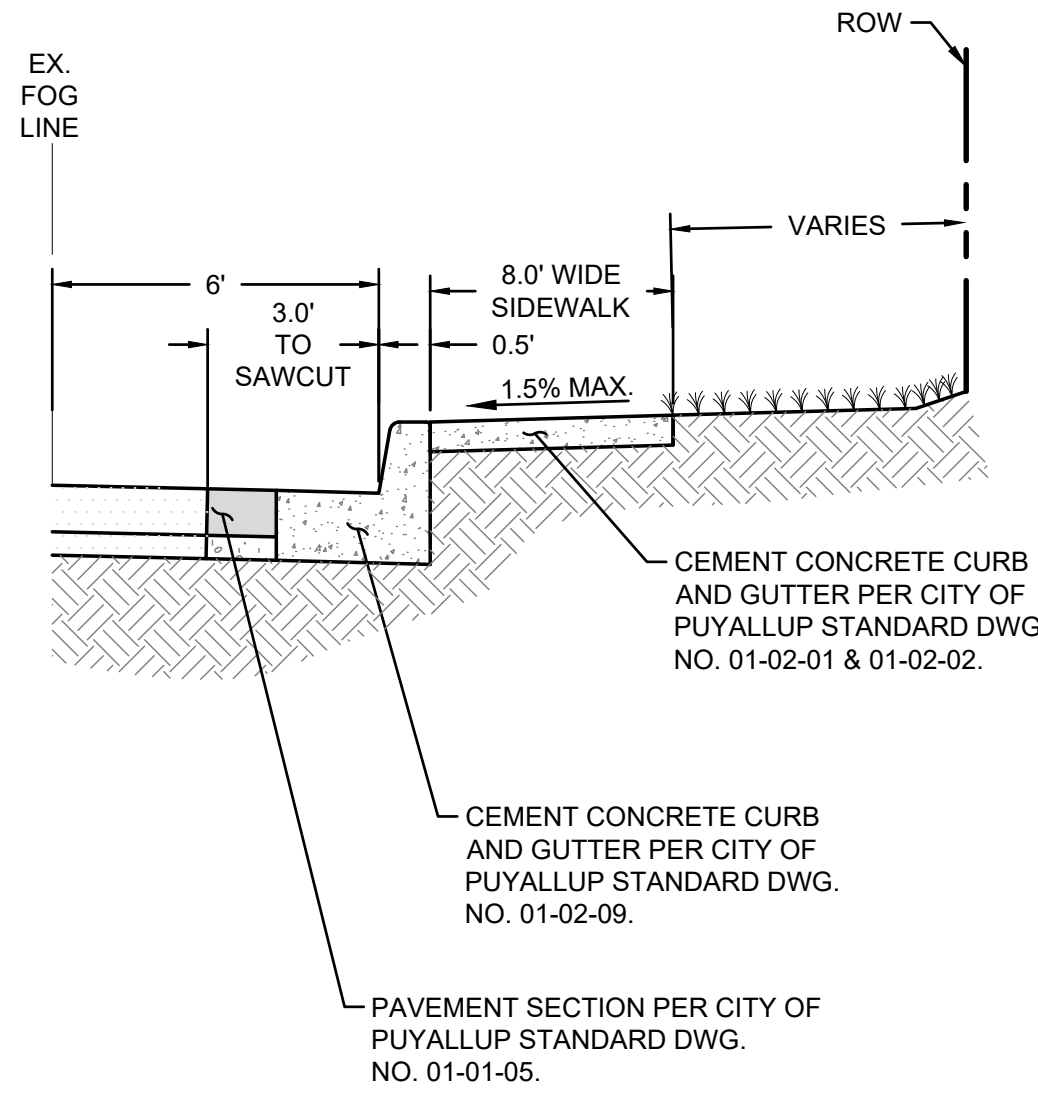
NOTICE
ALTERATION OF THIS DOCUMENT SHALL MAINTAIN THE PROFESSIONAL SEAL AND SIGNATURE. PRODUCTION OF THIS DOCUMENT DOES NOT CONSTITUTE AN ENDORSEMENT OF THE PROJECT OR THE QUALITY OF THE WORK. THE USER SHALL BE RESPONSIBLE FOR OBTAINING ALL NECESSARY PERMITS AND APPROVALS FOR THIS PROJECT OR FOR ANY OTHER PROJECT.



PROFILE VIEW RIVER ROAD
SCALE: 1"=30'H; 1"=2'V



- TYPE OF STREET: PRINCIPAL ARTERIALS
- | TYPE OF STREET | MINIMUM CENTERLINE GRADE | MINIMUM ROW WIDTH | MINIMUM STREET WIDTH | MINIMUM PAVEMENT THICKNESS | SIDEWALK WIDTH |
|---------------------|--------------------------|-------------------|----------------------|----------------------------|------------------------------------|
| PRINCIPAL ARTERIALS | 5% | 67' | 67' | 6" | 5' FOR ACC ZONE
8' FOR POC ZONE |
- NOTES:
- ALL DEPTHS ARE MINIMUM COMPACTED DEPTHS.
 - SUBGRADE PREPARATION SHALL MEET THE REQUIREMENTS OF WSDOT STANDARD SPEC. 2-06.3(1). IT SHALL BE THE RESPONSIBILITY OF THE CONTRACTOR TO MEET THE COMPACTION REQUIREMENTS AND CONTROL ALL WORK. THE CITY OF PUYALLUP RESERVES THE RIGHT TO REQUIRE COMPLIANCE TESTS AT THE CONTRACTOR'S EXPENSE.
 - SUBGRADE MATERIAL SHALL BE GRAVEL BORROW MEETING THE REQUIREMENTS OF WSDOT STANDARD SPEC. 9-03.1(1) OR CRUSHED BALAST MEETING THE REQUIREMENTS OF WSDOT STANDARD SPEC. 9-03.1(1). CRUSHED SURFACING SHALL MEET THE GRADATION REQUIREMENTS OF WSDOT STANDARD SPEC. 9-03.3(3). THE SUBGRADE AND BASE MATERIAL SHALL BE INSTALLED IN ACCORDANCE WITH WSDOT STANDARD SPEC. 4-04.
 - SOIL STABILIZATION FABRIC MAY BE REQUIRED BY THE DEVELOPMENT REVIEW ENGINEER TO BE INSTALLED PRIOR TO THE INSTALLATION OF THE BASE MATERIAL. WHEN REQUIRED, THE CONTRACTOR SHALL PLACE A GEOTEXTILE FABRIC OVER THE PREPARED SUBGRADE WITH A 2 FOOT MINIMUM OVERLAP. THE FABRIC SHALL BE INSTALLED PER MANUFACTURER SPECIFICATIONS.
 - ASPHALT CONCRETE PAVEMENT SHALL BE INSTALLED IN ACCORDANCE WITH WSDOT STANDARD SPEC. 5-04. DESIGN ENGINEER SHALL SUBMIT A STATE APPROVED HMA MIX FOR APPROVAL.
 - TEMPERATURE SHALL NOT EXCEED 325°F AT DISCHARGE OF THE PLANT NOR BE LESS THAN 185°F LEAVING THE SPREADER BOX.
 - THE MAXIMUM COMPACTED THICKNESS OF ANY SINGLE LIFT SHALL MEET WSDOT STANDARD SPEC. 5-04.3(9) TO A MINIMUM AVERAGE COMPACTED DRY DENSITY OF 91 PERCENT OF THE MAXIMUM DENSITY AS DETERMINED BY WSDOT TEST METHOD SPECIFIED IN STANDARD SPEC. 5-04.3(10B). PERIODIC COMPLIANCE TESTS SHALL BE MADE BY A CERTIFIED TESTING AGENCY AT THE EXPENSE OF THE CONTRACTOR.
 - THE FACE OF THE GUTTER LIP AND EDGES OF EXISTING ASPHALT MEET LINES SHALL BE TACK COATED PRIOR TO PAVEMENT PLACEMENT. WHEN SUCCESSIVE LIFTS OF ASPHALT ARE REQUIRED, A TACK COAT SHALL BE DISTRIBUTED UNIFORMLY OVER THE PREVIOUS LIFT AT A RATE OF 0.06-0.08 GALLONS PER SQUARE YARD AT A TEMPERATURE OF 100°F AND SHALL BE ALLOWED TO SET TO A TACKY STATE PRIOR TO THE PLACEMENT OF THE NEXT LIFT.
 - ANY CHANGES TO THE STANDARD PAVEMENT SECTION SHALL REQUIRE APPROVAL BY THE DEVELOPMENT REVIEW ENGINEER. A STRUCTURAL PAVEMENT CROSS SECTION DESIGN WITH CALCULATIONS SHALL BE REQUIRED.
 - ALL MANHOLE FRAMES, VALVE FRAMES AND MONUMENT COVERS SHALL BE INSTALLED AFTER PLACEMENT OF ASPHALT. IF MORE THAN ONE LIFT IS NECESSARY, FRAMES AND LIDS WILL BE ADJUSTED TO FINISH GRADE AT FIRST LIFT AS DIRECTED BY THE CITY.
 - ADDITIONAL BIKE LANES AND/OR ON-STREET PARKING MAY BE REQUIRED PER TRAFFIC ENGINEER.
 - A UTILITY EASEMENT OF 10' SHALL BE PROVIDED ON BOTH SIDES OF THE ROADWAY.
 - SIDEWALK WIDTH SHALL BE 5' IF ARTERIAL IS LOCATED IN AN ACC ZONE OR SHALL BE 8' IF ARTERIAL IS LOCATED IN A POC ZONE ACCORDING TO THE CITY COMPREHENSIVE PLAN.
 - PLANTING STRIP SHALL BE PLANTED AS DIRECTED BY CITY PLANNING DEPARTMENT.



SECTION VIEW
NOT TO SCALE



CITY OF PUYALLUP
DEVELOPMENT ENGINEERING and PUBLIC WORKS DEPARTMENTS

PUBLIC ROADWAY PRINCIPAL ARTERIAL CROSS SECTION

DESIGNED BY JIM EPPENGAARD	CHECKED BY LINDA LEW	APPROVED BY CELLEN HARRIS	DATE 01.01.05
-------------------------------	-------------------------	------------------------------	------------------



APPROVED

BY: CITY OF PUYALLUP ENGINEERING SERVICES

DATE: _____

DESIGNED BY: MH DRAWN BY: SBK CHECKED BY: TCS

SHEET No. **C4.0** of 12 Sheets

LARSON RIVER ROAD AUTO STORAGE

A PORTION OF THE NE 1/4 OF THE SE 1/4 OF SEC. 20, TWN. 20 N., RGE. 04 E. W.M.
CITY OF PUYALLUP, PIERCE COUNTY, WASHINGTON.



TACOMA · SEATTLE · SPOKANE · TRI-CITIES

2215 North 30th Street, Suite 300, Tacoma, WA 98403
253.383.2422 TEL 253.383.2572 FAX www.ahbl.com WEB

Project Title:
LARSON RIVER ROAD STORAGE

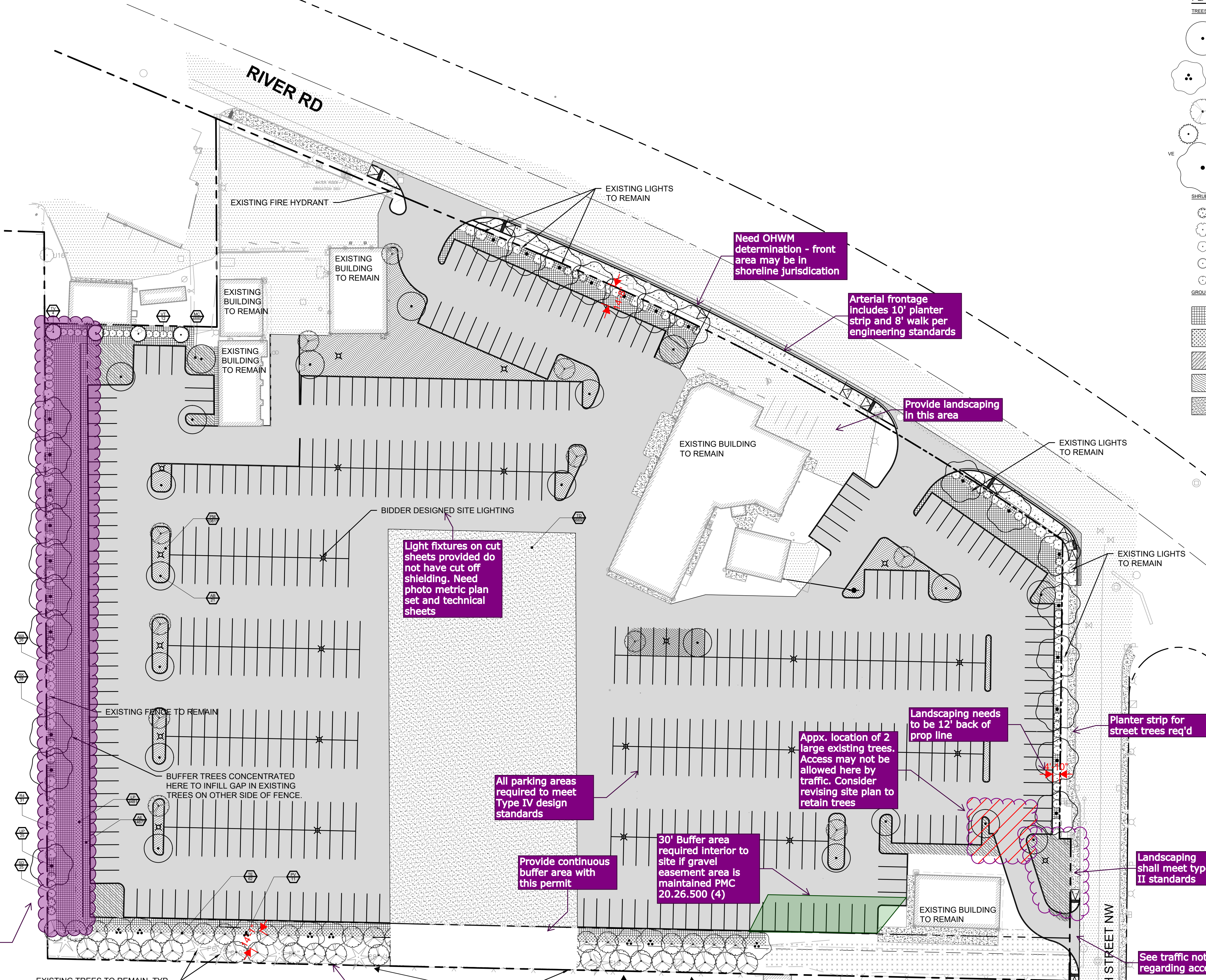
Client:
LARSON AUTOMOTIVE GROUP
1409 ALEXANDER AVENUE EAST
FIFE, WA 98424-1109
JOSH LARSON

Job No.
2160102.10

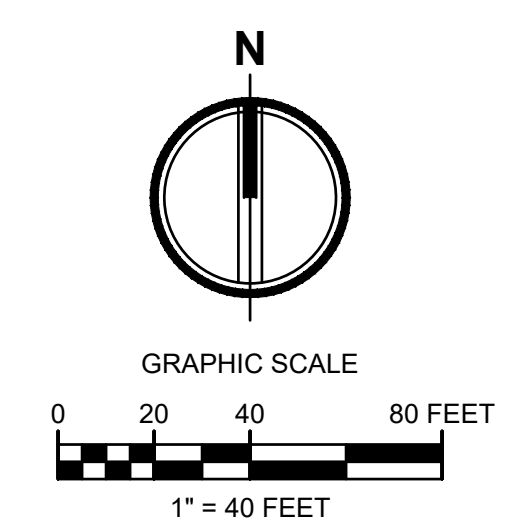
Issue Set & Date:
PERMIT SET
10/1/2021

NOTICE
ALTERATION OF THIS DOCUMENT SHALL MAINTAIN THE PROFESSIONAL SEAL AND SIGNATURE OF THE ORIGINAL DESIGNER. THIS DOCUMENT DOES NOT CONSTITUTE A NEW RECORD OR A REVISION. ANY CHANGES TO THIS DOCUMENT SHALL BE MADE BY THE ORIGINAL DESIGNER OR ONLY FOR THE PROJECT ENDED IN THE TITLE BLOCK AND IS NOT TO BE USED FOR OTHER PROJECTS OR ADDITION TO THAT PROJECT OR FOR ANY OTHER PROJECT.

PLANT SCHEDULE					
TREES	CODE	BOTANICAL NAME	COMMON NAME	QTY	
AB	ACER SACCHARINUM 'BOONFIRE'	SILVER MAPLE	1.5' GAL		
PV	PARROTTIA PERSICA 'VANESSA'	PERSIAN PARROTTIA	2' GAL		
TE	THUJA PLICATA 'EXCELSA'	WESTERN RED CEDAR	8' HT. MN.		
TV	THUJA PLICATA 'VIRESCENS'	WESTERN RED CEDAR	6' HT MN.		
UP	ULMUS X 'HOMESTEAD'	ELM	1.5' GAL		
SHRUBS	CODE	BOTANICAL NAME	COMMON NAME	QTY	
MA	MAHONIA AQUIFOLIUM	OREGON GRAPE	2 GAL		
RK	RIBES SANGUINEUM 'KING EDWARD VII'	RED FLOWERING CURRANT	2 GAL		
RA	ROSA NOOTKA	NOOTKA ROSE	2 GAL		
SD	SPIRAEA DOUGLASSII	WESTERN SPIREA	2 GAL		
VT	VACCINIUM OVATUM 'THUNDERBIRD'	EVERGREEN HUCKLEBERRY	5 GAL		
GROUND COVERS	CODE	BOTANICAL NAME	COMMON NAME	QTY	SPACING
AE	ARCTOSTAPHYLOS UVA-URSI 'EMERALD CARPET'	EMERALD CARPET MANZANITA	1 GAL	36" o.c.	
LP	LONICERA PILEATA	PRIVET HONEYBUCKLE	1 GAL	30" o.c.	
MC	MAHONIA AQUIFOLIUM 'COMPACTA'	COMPACT OREGON GRAPE	1 GAL	30" o.c.	
PM	PRUNUS LAUROCERASUS MT. VERNON	MT. VERNON LAUREL	1 GAL	24" o.c.	
TD	TURF HYDROSEED DRYLAND MEADOW MIX	DRYLAND MEADOW	HYDROSEED		



NOTES:
1. LIGHT POLES ARE SCHEMATIC. BIDDER TO PROVIDE LIGHTING DESIGN FOR OWNER APPROVAL.
2. BIDDER DESIGNED IRRIGATION SYSTEM.



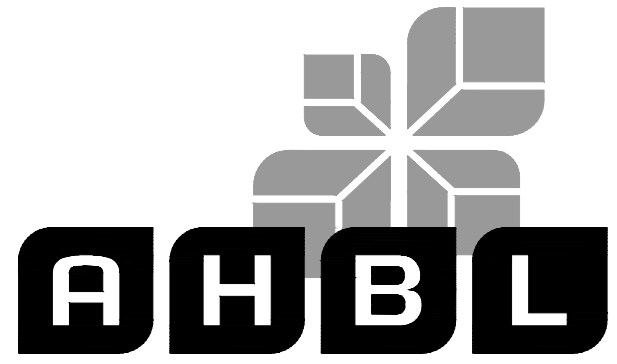
APPROVED
BY: CITY OF PUYALLUP
ENGINEERING SERVICES
DATE:
NOTE: THIS APPROVAL IS VOID AFTER 1 YEAR FROM APPROVAL DATE. THE CITY WILL NOT BE RESPONSIBLE FOR ERRORS AND/OR OMISSIONS ON THESE PLANS. FIELD CONDITIONS MAY DICTATE CHANGES TO THESE PLANS AS DETERMINED BY THE ENGINEERING SERVICES MANAGER.

Revisions:
Sheet Title:
LANDSCAPE PLAN
Designed by: MH
Drawn by: SBK
Checked by: TCS
Sheet No.
L1.0
11 of 12 Sheets



LARSON RIVER ROAD AUTO STORAGE

A PORTION OF THE NE 1/4 OF THE SE 1/4 OF SEC. 20, TWN. 20 N., RGE. 04 E. W.M.
CITY OF PUYALLUP, PIERCE COUNTY, WASHINGTON.



TACOMA · SEATTLE · SPOKANE · TRI-CITIES

2215 North 30th Street, Suite 300, Tacoma, WA 98403
253.383.2422 TEL 253.383.2572 FAX www.ahbl.com WEB

Project Title:
LARSON RIVER ROAD STORAGE

Client:
LARSON AUTOMOTIVE GROUP
1409 ALEXANDER AVENUE EAST
FIFE, WA 98424-1109
JOSH LARSON

Job No.
2160102.10

Issue Set & Date:
PERMIT SET
10/1/2021

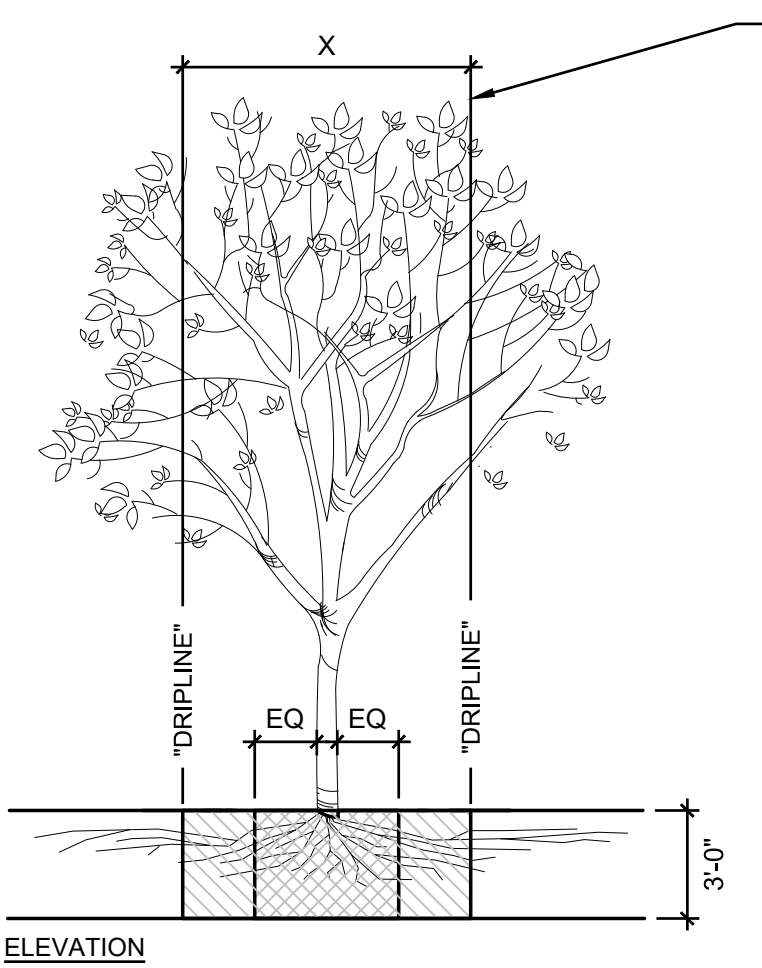
NOTICE
ALTERATION OF THIS DOCUMENT SHALL INVALIDATE THE PROFESSIONAL SEAL AND SIGNATURE. PRODUCTION OF THIS DOCUMENT DOES NOT CONSTITUTE A PROFESSIONAL REVIEW FOR THE PROJECT DESCRIBED IN THE TITLE BLOCK AND IS NOT TO BE USED FOR OTHER PURPOSES OR ADDED TO THAT PROJECT OR FOR ANY OTHER PROJECT.

PLANT SCHEDULE

TREES	CODE	BOTANICAL NAME	COMMON NAME	CONT
	AB	ACER SACCHARINUM 'BONFIRE'	SILVER MAPLE	1.5" CAL
	PV	PARROTIA PERSICA 'VANESSA'	PERSIAN PARROTIA	2" CAL
	TE	THUJA PLICATA 'EXCELSA'	WESTERN RED CEDAR	8' HT. MIN.
	TV	THUJA PLICATA 'VIRESCENS'	WESTERN RED CEDAR	6' HT MIN.
	UP	ULMUS X 'HOMESTEAD'	ELM	1.5" CAL

SHRUBS	CODE	BOTANICAL NAME	COMMON NAME	CONT
	MA	MAHONIA AQUIFOLIUM	OREGON GRAPE	2 GAL
	RK	RIBES SANGUINEUM 'KING EDWARD VII'	RED FLOWERING CURRANT	2 GAL
	R4	ROSA NOOTKA	NOOTKA ROSE	2 GAL
	SD	SPIRAEA DOUGLASII	WESTERN SPIREA	2 GAL
	VT	VACCINIUM OVATUM 'THUNDERBIRD'	EVERGREEN HUCKLEBERRY	5 GAL

GROUND COVERS	CODE	BOTANICAL NAME	COMMON NAME	CONT	SPACING
	AE	ARCTOSTAPHYLOS VA-URSI 'EMERALD CARPET'	EMERALD CARPET MANZANITA	1 GAL	36" o.c.
	LP	LONICERA PILEATA	PRIVET HONEYSUCKLE	1 GAL	30" o.c.
	MC	MAHONIA AQUIFOLIUM 'COMPACTA'	COMPACT OREGON GRAPE	1 GAL	36" o.c.
	PM	PRUNUS LAUROCERASUS MT. VERNON	MT. VERNON LAUREL	1 GAL	24" o.c.
	TD	TURF HYDROSEED DRYLAND MEADOW MIX	DRYLAND MEADOW	HYDROSEED	



FENCING/ROOT PROTECTION
FENCING TO BE PROVIDED AND MAINTAINED AT DRIPLINE

LANDSCAPE ARCHITECT'S APPROVAL REQUIRED FOR USE/ACCESS WITHIN ZONE B. PERMISSION FOR USE/ACCESS REQUIRES SURFACE PROTECTION FOR ALL UNFENCED, UNPAVED SURFACES WITHIN ZONE B

TRENCHING/EXCAVATION

ZONE A (CRITICAL ROOT ZONE)

- NO DISTURBANCE ALLOWED WITHOUT SITE-SPECIFIC INSPECTION AND APPROVAL OF METHODS TO MINIMIZE ROOT DAMAGE
- SEVERANCE OF ROOTS LARGER THAN 2" DIA REQUIRES LANDSCAPE ARCHITECT'S APPROVAL
- TUNNELING REQUIRED TO INSTALL LINES 3'-0" BELOW GRADE OR DEEPER

ZONE B (DRIPLINE)

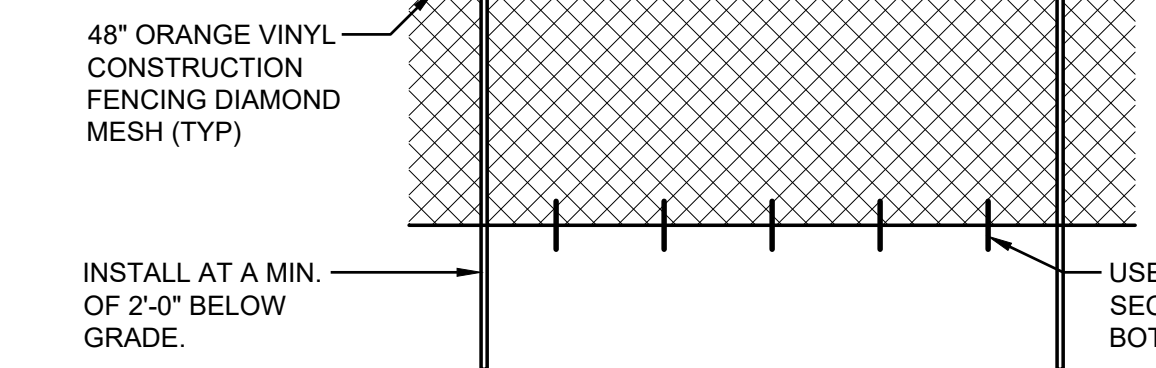
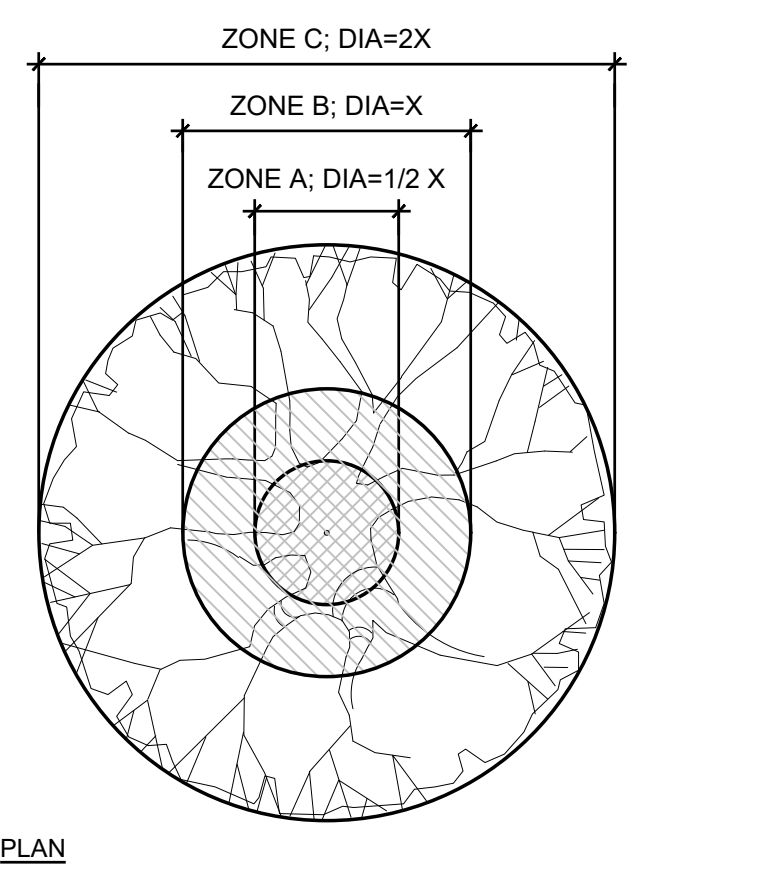
- OPERATION OF HEAVY EQUIPMENT AND/OR STOCKPILING OF MATERIALS SUBJECT TO LANDSCAPE ARCHITECT'S APPROVAL. SURFACE PROTECTION MEASURES REQUIRED
- TRENCHING ALLOWED AS FOLLOWS:
 - EXCAVATION BY HAND OR WITH HAND-DRIVEN TRENCHER MAY BE REQUIRED
 - LIMIT TRENCH WIDTH. DO NOT DISTURB ZONE A MAINTAIN 2/3 OR MORE OF ZONE B IN UNDISTURBED CONDITION
 - TUNNELING MAY BE REQUIRED FOR TRENCHES DEEPER THAN 3'-0"

ZONE C (FEEDER ROOT ZONE)

- OPERATION OF HEAVY EQUIPMENT AND/OR STOCKPILING OF MATERIALS SUBJECT TO LANDSCAPE ARCHITECT'S APPROVAL.
- SURFACE PROTECTION MEASURES MAY BE REQUIRED TRENCHING WITH HEAVY EQUIPMENT ALLOWED AS FOLLOWS:
 - MINIMIZE TRENCH WIDTH
 - MAINTAIN 2/3 OR MORE OF ZONE C IN UNDISTURBED CONDITION

*** SURFACE PROTECTION MEASURES**

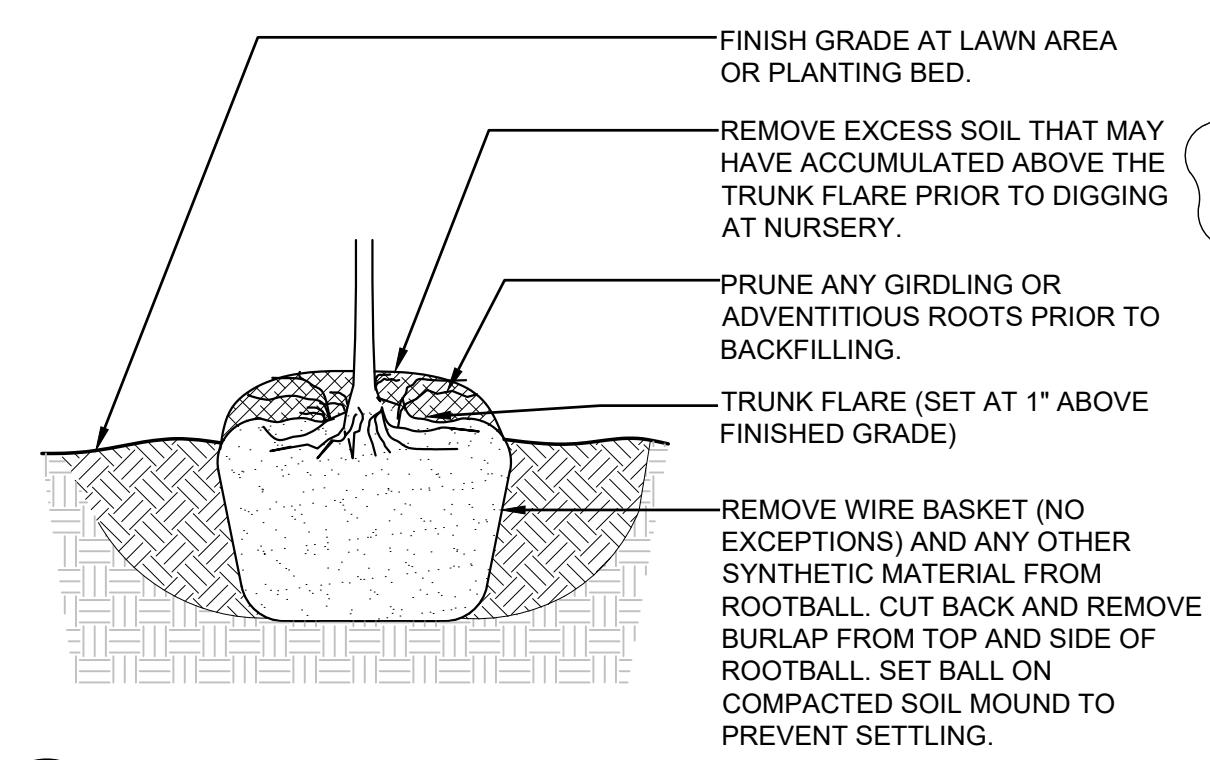
- MULCH LAYER, 6"-8" DEPTH
- 3/4" PLYWOOD
- STEEL PLATES



- THE TREE PROTECTION FENCE SHOULD BE MAINTAINED THROUGHOUT GRADING AND CONSTRUCTION AND SHALL NOT BE REMOVED UNTIL FINAL LANDSCAPING IS IN PROGRESS. AT NO TIME SHALL EQUIPMENT ENTER INTO THE ROOT PROTECTION ZONE (RPZ). ALL BRUSH CLEANUP WITHIN THE RPZ SHOULD BE COMPLETED BY HAND TO PREVENT DISTURBANCE OF NATIVE GROUND COVERS. NO CUTS OR FILLS OF UTILITY TRENCHING, MODIFICATIONS TO DRAINAGE, ETC. SHALL IMPACT THE RPZ. NO WIRES, CABLES, OR OTHER DEVICES SHOULD BE ATTACHED TO PROTECTED TREES DURING CONSTRUCTION.
- IF IMPACTS MUST OCCUR WITHIN THE RPZ, CONTACT THE LANDSCAPE ARCHITECT PRIOR TO THE OPERATIONS TO DETERMINE THE PROPER PROCEDURE TO PROTECT THE TREES HEALTH.
- CONTRACTOR SHALL REFER TO SPECIFICATIONS FOR ADDITIONAL INFORMATION.

NOTES:

- TREES PLANTED TOO DEEP WITHOUT EXPOSING ROOT FLARE WILL BE REJECTED AND SHALL BE REMOVED AND REPLANTED AT PROPER DEPTH
- REPLACEMENT OF REJECTED TREES WILL BE DONE AT THE CONTRACTOR'S EXPENSE.

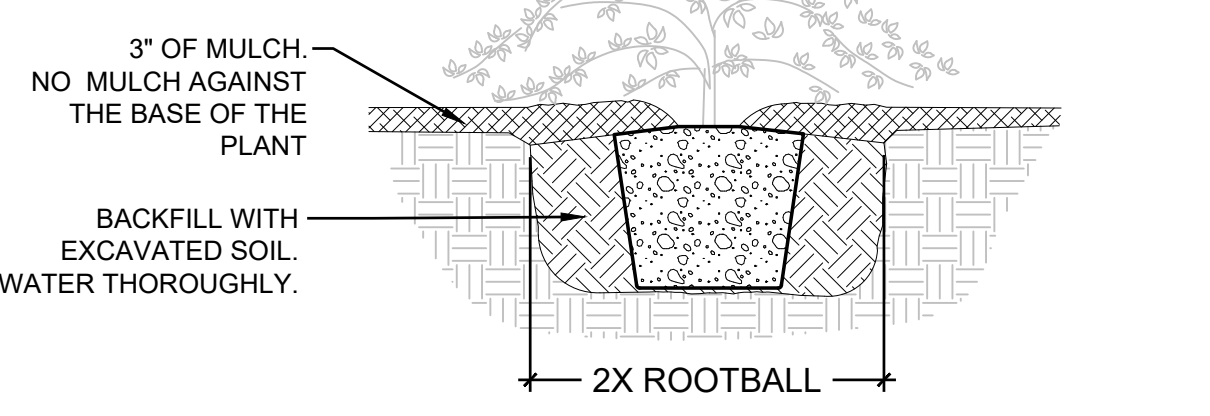
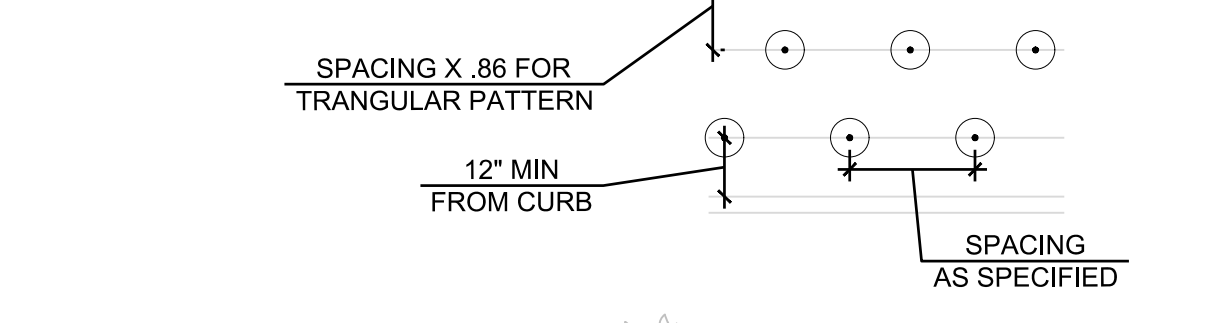


3 ROOTBALL

1" = 1'-0" P-216-LAR-72

NOTE:

- ALL GROUNDCOVER TO BE PLANTED AT EQUAL TRIANGULAR SPACING PER O.C. SPACING ON LEGEND.

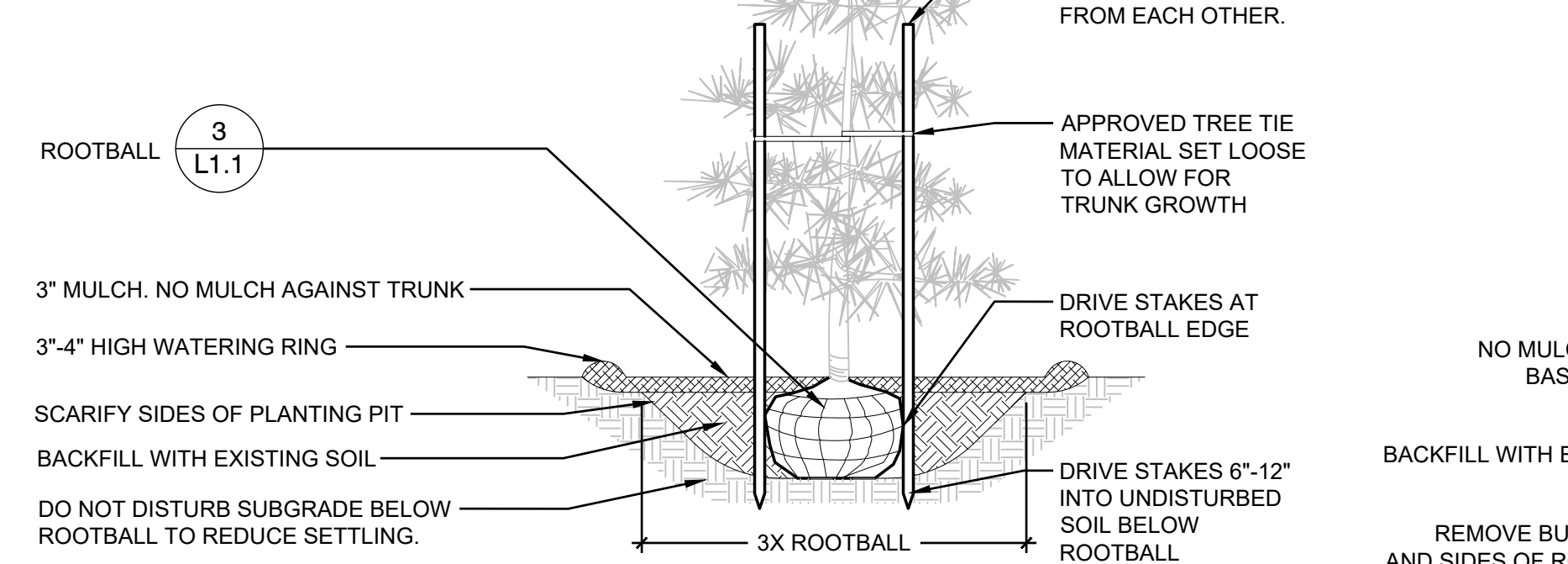


4 GROUNDCOVER PLANTING

1/2" = 1'-0" P-216-LAR-66

NOTES:

- TREES NOT PLANTED IN CONFORMANCE WITH THIS DETAIL WILL BE REJECTED BY THE LANDSCAPE ARCHITECT. REPLACEMENT OF REJECTED TREES WILL BE DONE AT THE CONTRACTOR'S EXPENSE.
- PLANTING INCLUDES REMOVAL OF STAKES ONE YEAR AFTER INSTALLATION.



5 CONIFER TREE PLANTING W/ STAKE

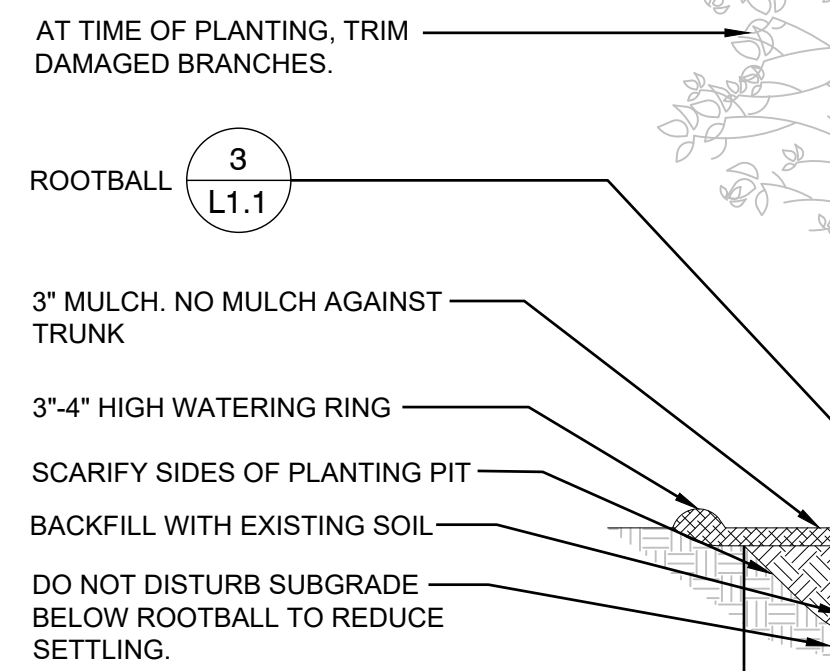
3/8" = 1'-0" P-216-LAR-71

1 TREE PROTECTION

3/16" = 1'-0" P-216-LAR-02

NOTE:

- TREES NOT PLANTED IN CONFORMANCE WITH THIS DETAIL WILL BE REJECTED BY THE LANDSCAPE ARCHITECT. REPLACEMENT OF REJECTED TREES WILL BE DONE AT THE CONTRACTOR'S EXPENSE.

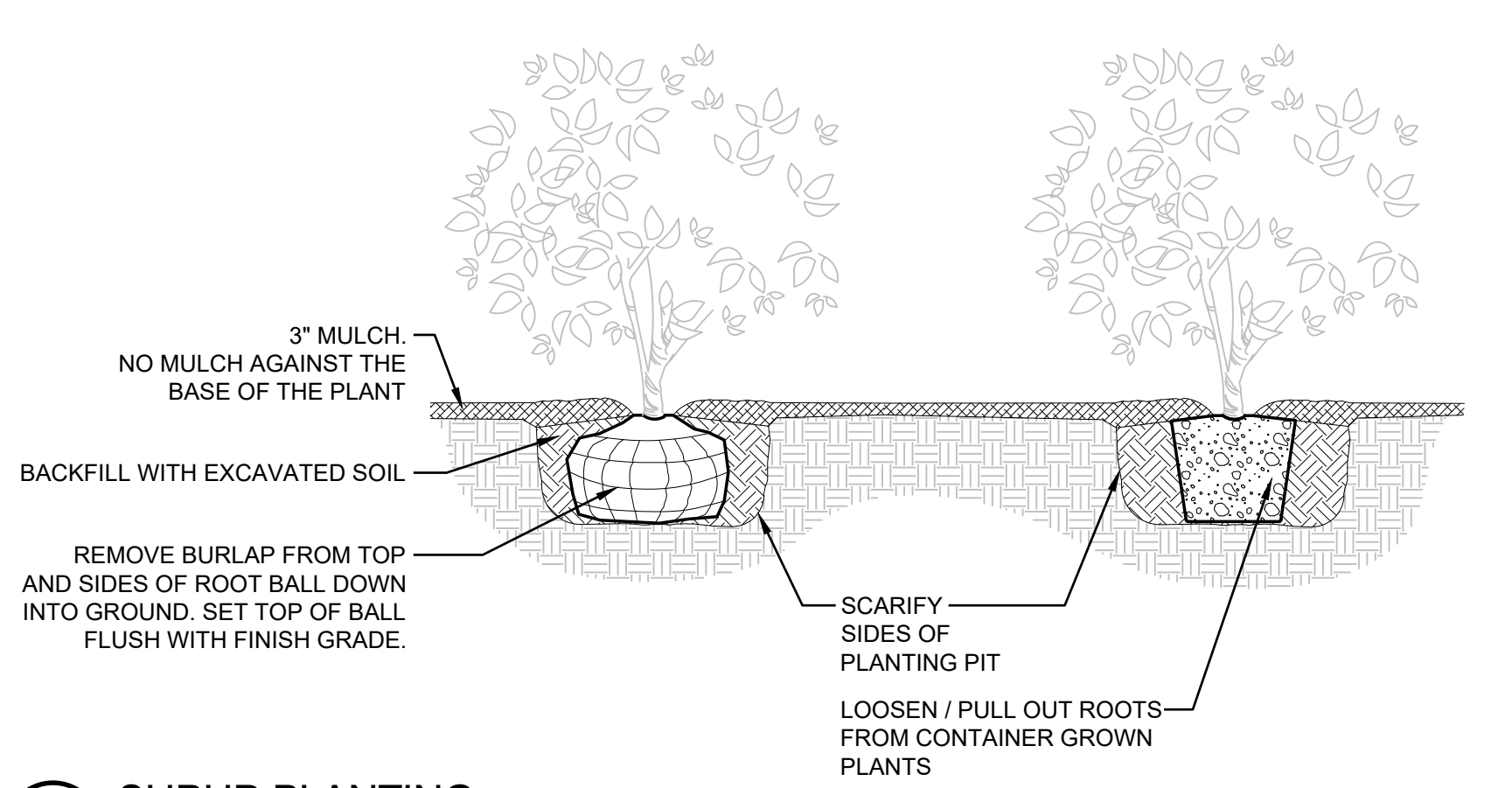


2 DECIDUOUS TREE PLANTING

3/8" = 1'-0" P-216-LAR-70

6 SHRUB PLANTING

NTS P-216-LAR-01



APPROVED

BY: CITY OF PUYALLUP ENGINEERING SERVICES

DATE:

NOTE: THIS APPROVAL IS VOID AFTER 1 YEAR FROM APPROVAL DATE.

THE CITY WILL NOT BE RESPONSIBLE FOR ERRORS AND/OR OMISSIONS ON THESE PLANS. FIELD CONDITIONS MAY DICTATE CHANGES TO THESE PLANS AS DETERMINED BY THE ENGINEERING SERVICES MANAGER.

Revisions:

PLANTING DETAILS AND SCHEDULE

Designed by: MH Drawn by: SBK Checked by: TCS

Sheet No.

L1.1

12 of 12 Sheets



Know what's below.
Call before you dig.

