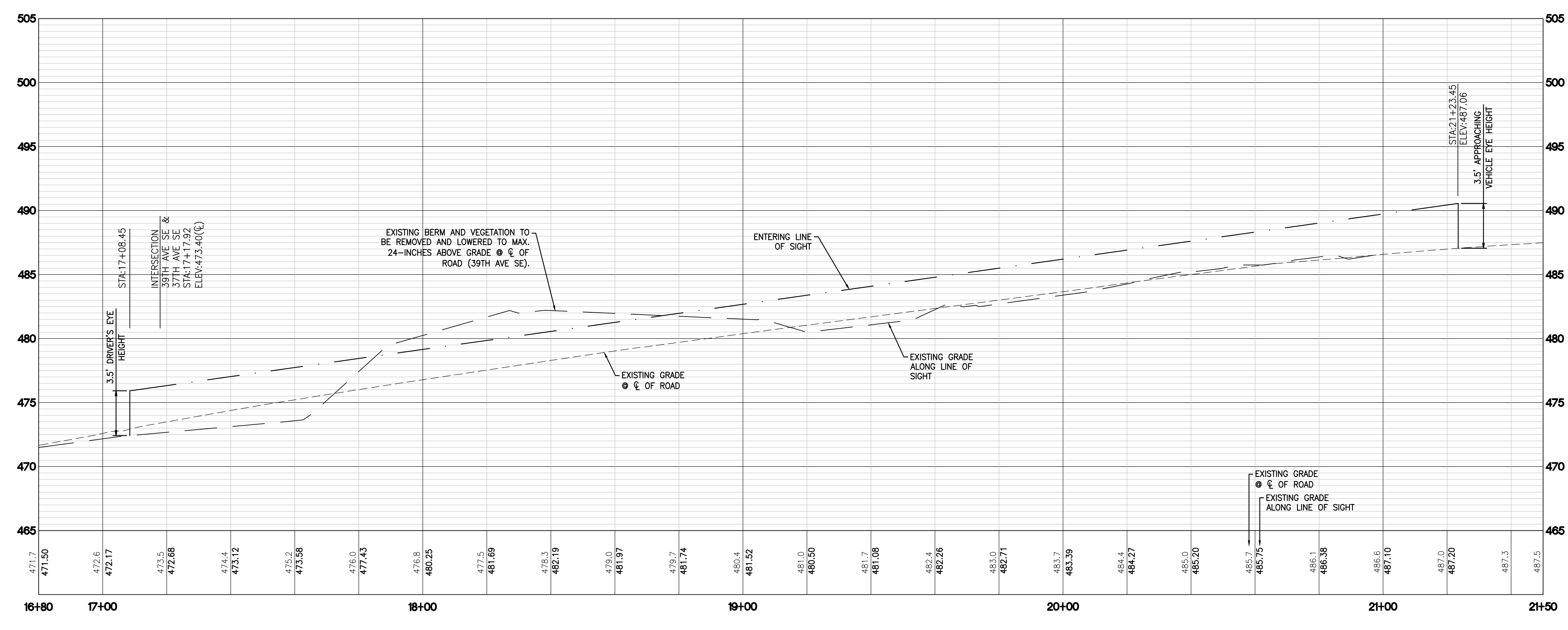
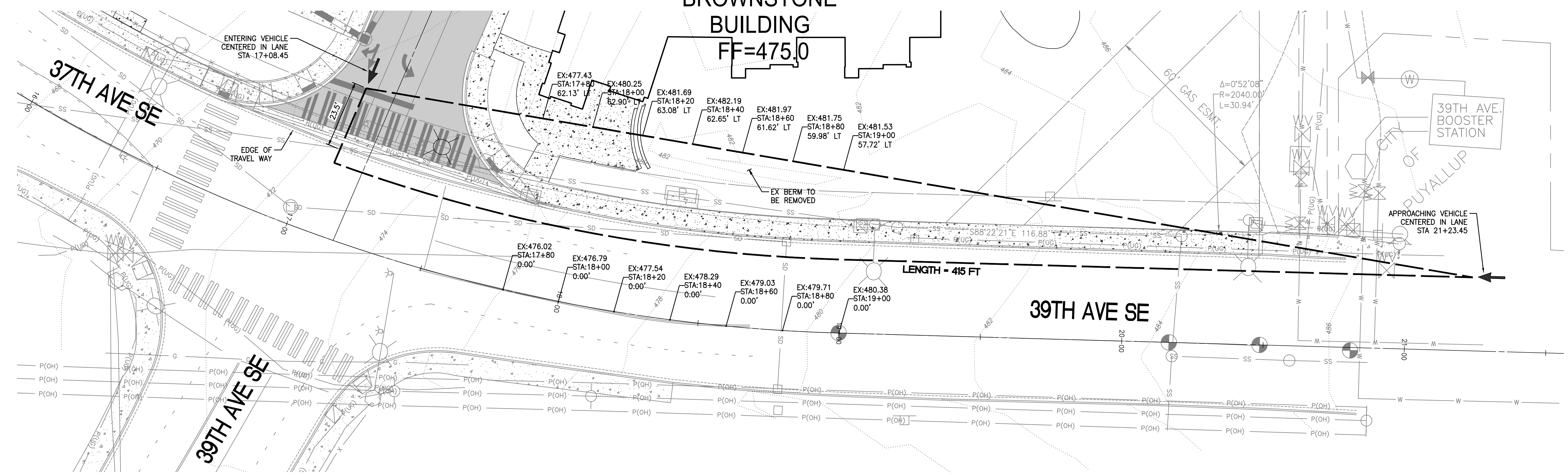
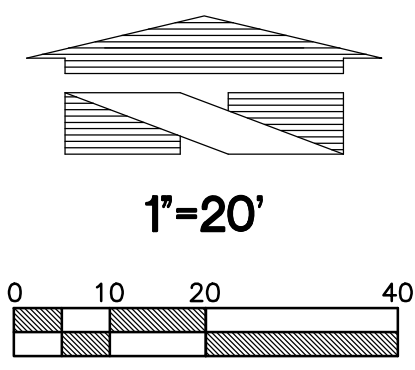


# ENTERING SIGHT DISTANCE EXHIBIT



**39TH AVE SE/ 37TH AVE SE PROFILE**  
SCALE: H 1"=20', V 1"=5'

**APPROVED**

BY \_\_\_\_\_  
CITY OF PUYALLUP  
ENGINEERING SERVICES

DATE \_\_\_\_\_

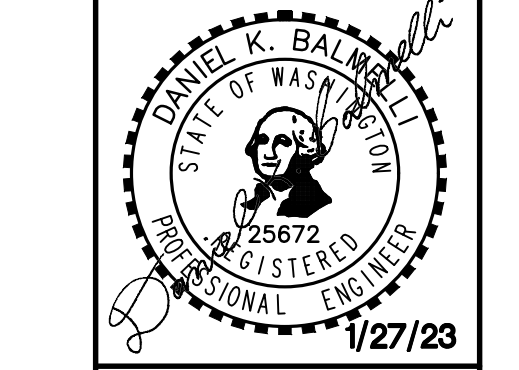
**NOTE:** THIS APPROVAL IS VOID AFTER 1 YEAR FROM APPROVAL DATE.  
THE CITY WILL NOT BE RESPONSIBLE FOR ERRORS AND/OR OMISSIONS ON THESE PLANS.  
FIELD CONDITIONS MAY DICTATE CHANGES TO THESE PLANS AS DETERMINED BY THE ENGINEERING SERVICES MANAGER.

Revision

No. Date By Ckd. Appr.

**Title:**  
ENTERING SIGHT DISTANCE EXHIBIT  
FOR  
PRELIMINARY PHASE 2  
WESLEY BRADLEY PARK

**For:**  
WESLEY HOMES  
815 SOUTH 216TH STREET  
DES MOINES, WA 98190  
(206) 870-1209



Scale: Horizontal 1" = 20', Vertical 1" = 5'

Designed: CP  
Drawn: BOK  
Checked: CP  
Approved: CP  
Date: 12/14/19

**Barghausen Consulting Engineers, Inc.**  
18215 72nd Avenue South  
Kent, WA 98032  
425.251.6222 [barghausen.com](http://barghausen.com)

Job Number: **16718**

Sheet: **1 of 1**

File: PA160008\16718\exhibit\Phase 2\16718-x1.dwg Date/Time: 12/21/2022 4:18 PM Scale: 1:1